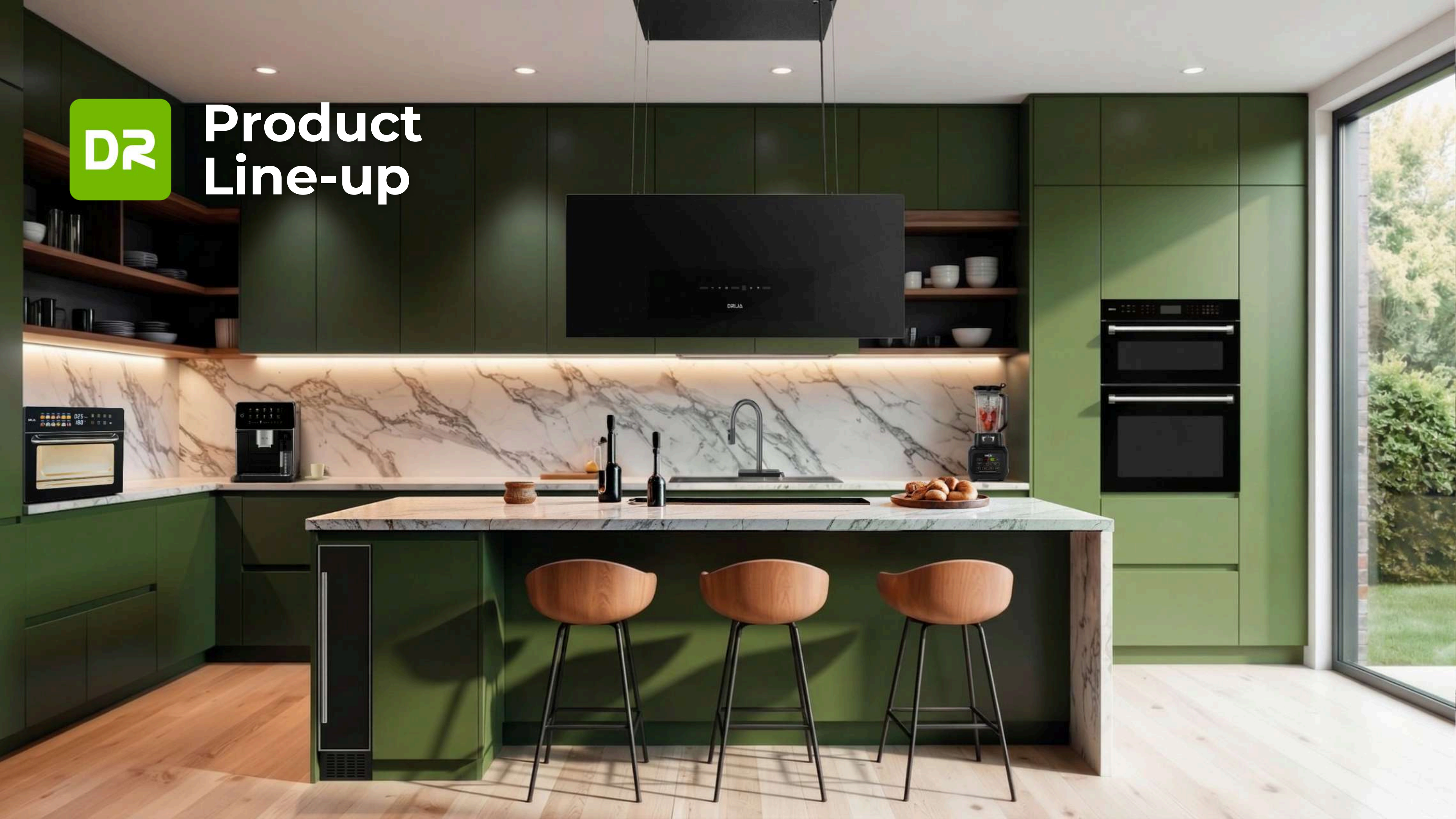


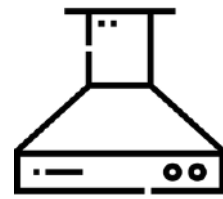


# Product Line-up

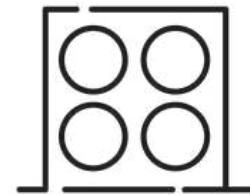


## CATEGORIES

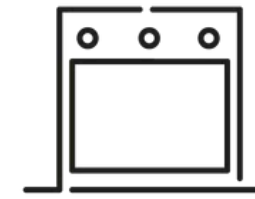
We have a wide range of appliances classified to suit every need.



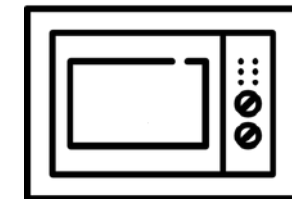
Range



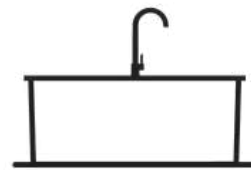
Cooktops



Ovens



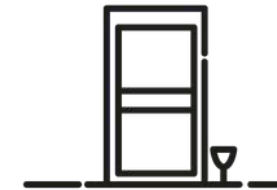
Microwave  
Ovens



Sink  
Components



Small Appliances



Wine Coolers



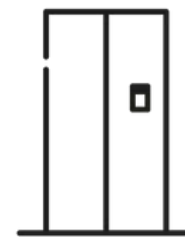
Beverage  
Centers



Ice Makers



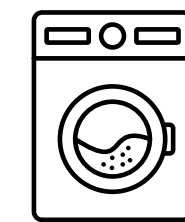
Water  
Dispencer



Refrigerators



Water Heathers



Laundry

**13**  
Categories

**37**  
Sub-Categories

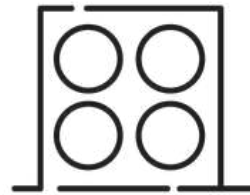
**200**  
Products

## SUB- CATEGORIES



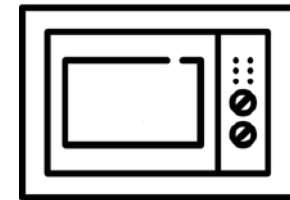
### RANGE HOODS

Compact range hood  
Wall-mount range hood  
Island range hood



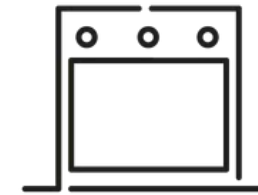
### COOKTOPS

Gas cooktops  
Electric cooktops  
Dual cooktops  
Induction cooktops  
Stoves



### MICROWAVE OVENS

Built-in  
Over the range



### OVENS

Gas  
Gas Grill  
Electrics



### BEVERAGE CENTER

Built- in  
Stand alone



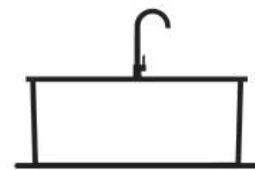
### WINE COOLERS

Built- in  
Stand alone



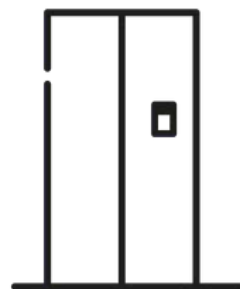
### ICE MAKERS

Built- in  
Portable



### SINK COMPONENTS

Sink  
Faucets  
Food waste disposer



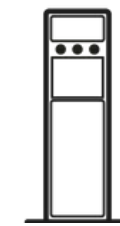
### REFRIGERATORS

Mini Fridge  
Side by Side  
French Door  
Twin

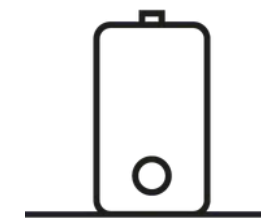


### SMALL APPLIANCES

Air Fryers  
Blender  
Portable Cooker  
Cookware set  
Electric oven  
Coffee Machine

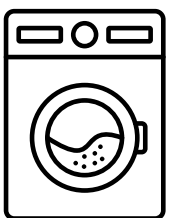


### WATER DISPENSERS



### WATER HEATERS

Gas  
Electric



### WASHING MACHINES

Washing machine  
Washer- Dryer combo

**13**  
Categories

**37**  
Sub-Categories

**200**  
Products

## LINE UP

### RANGE HOODS

#### COMPACT RANGE HOOD

- COMPATTO 60 ACERO
- COMPATTO 76 ACERO
- COMPATTO 90 ACERO
- COMPATTO 60 BLACK
- COMPATTO 76 BLACK
- COMPATTO 90 BLACK
- SLIM TOUCH 60 ACERO
- SLIM TOUCH 76 ACERO
- SLIM TOUCH 90 ACERO
- SLIM TOUCH 60 BLACK
- SLIM TOUCH 76 BLACK
- SLIM TOUCH 90 BLACK
- **RETRÁCTIL 60 ACERO**
- **RETRÁCTIL 76 ACERO**
- **RETÁCTIL 90 ACERO**
- **RETRÁCTIL TOUCH 60 BLACK**
- **RETRÁCTIL TOUCH 76 BLACK**
- **RETRÁCTIL TOUCH 90 BLACK**

#### CANOPY RANGE HOOD

- **INVISIBILE 76-I**
- **SOTTILE 60-B**
- **SOTTILE 90-B**

#### WALL- MOUNTED RANGE HOOD

- RECTÁNGULO 76 BLACK
- RECTÁNGULO 90 BLACK
- TRIANGOLO 60
- TRIANGOLO 76
- TRIANGOLO 90
- PIRÁMIDE 90 BLACK
- TRAPEZIO 90 BLACK
- PRISMA TOUCH 60
- PRISMA TOUCH 76
- PRISMA TOUCH 90
- **PRISMA TOUCH 60 BLACK**
- **PRISMA TOUCH 76 BLACK**
- **PRISMA TOUCH 90 BLACK**
- GALAXY 76
- GALAXY 90
- **GALAXY 76 BLACK**
- **GALAXY 90BLACK**
- QUADRATO 76 BLACK
- QUADRATO 90 BLACK
- QUADRATO 76 ACERO
- QUADRATO 90 ACERO

#### ISLAND RANGE HOOD

- RISMA ISLA TOUCH 90
- PRISMA ISLA TOUCH 90 BLACK
- QUADRATO ISLA 76 BLACK
- QUADRATO ISLA 90 BLACK
- QUADRATO ISLA 76 ACERO
- QUADRATO ISLA 90 ACERO
- ARCO ISLA 90
- **PENDENTE 90-B**

**13**  
Categories

**37**  
Sub-Categories

**200**  
Products

## LINE UP

### COOKTOPS

#### TOPES GAS

- TURÍN 60
- MILÁN 30
- MILÁN 60 PRO
- MILÁN 76 PRO
- MILAN 91
- TOSCANA 30
- TOSCANA 60 PRO
- TOSCANA 76 PRO
- TOSCANA 91 PRO
- TOSCANA 60 PRO
- TOSCANA 76 PRO
- FERRARA 60 PRO
- FERRARA 76 PRO
- FERRARA 90 PRO
- LAZIO 60
- LAZIO 76
- LAZIO 90
- ITALIA 60
- ITALIA 76
- ITALIA 90

#### TOPES DUALES

- SICILIA 30
- SICILIA TOUCH 60
- SICILIA TOUCH 76
- SICILIA TOUCH 90

#### ELECTRIC COOKTOPS

- **BARI 30-A**
- **BARI 60-A**
- **BARI 76-A**
- **BARI 90-A**
- BARI 30
- BARI 60
- BARI 76
- BARI 90
- BERLÍN 30
- BERLÍN 60
- BERLÍN 76
- BERLÍN 90

#### INDUCTION COOKTOPS

- MÚNICH 30 INDUKTION
- MÚNICH 60 INDUKTION
- MÚNICH 76 INDUKTION
- MÚNICH 90 INDUKTION

#### TABLETOP COOKTOP

- POTENZA 76
- POTENZA 90

#### STOVES

- VENECIA 76
- VENECIA 90

### OVENS

#### GAS

- **EUROPA60 GAS-A**
- **ROMA76 GAS -A**
- **AMÉRICA 90 GAS-A**
- **OCEANÍA 60 BLACK**
- EUROPA 60
- ROMA 76
- AMÉRICA 90

#### GAS GRILL

- **EUROPA 60 GAS GRILL AIR**
- NORTEAMÉRICA 90

#### ELECTRICS

- LATINO 60 BLACK
- ÍNDICO 60 AIR ELÉCTRICO
- **CARIBE 76 AIR-A**
- **PACIFIC 76 AIR-A**
- **AMÉRICA90 AIR-A**
- CARIBE 76 AIR
- PACIFIC 76 AIR
- AMÉRICA 90 AIR

### MICROWAVE OVENS

#### EMPOTRABLES

- **FLORENCIA 25L BLACK**
- **SORRENTO 25L BLACK**
- **NAPOLI 25L BLACK**
- VÉNETO 62L BLACK
- **VÉNETO 62L BLACK- I**
- **EMPOLI 62L-I**

#### OVER THE RANGE

- **VARENNA 42L-I**

**13**  
Categories

**37**  
Sub-Categories

**200**  
Products

## LINE UP

### SINK COMPONENTS

#### KITCHEN SINKS

- MURANO 61
- MURANO 76
- MURANO 84
- CIRELLA 68
- AMALFI 76
- AMALFI 84
- AMALFI 84
- BOLONIA 61
- BOLONIA 76
- BOLONIA 84
- LUCCA 84
- SIENA 75
- SIENA 84
- CAPRI 76
- CAPRI 84

#### FAUCETS

- PISA BLACK
- PISA GOLD

#### FOOD WASTE DISPOSER.

- FRANTOIO ½ HP

### SMALL APPLIANCES

#### AIR FRYERS

- CALZONE

#### BLENDER

- MISCELATORE

#### PORTABLE COOKER

- MÚNICH 28

#### COOKWARE SET

- BUCATINI 19-B

#### ELECTRIC OVEN

- BRUSCHETTA 25L-B

#### COFFEE MACHINE

- MOCCA 8T-B
- AFOGATTO 12T-B

### WINE COOLERS

#### STAND ALONE

- TEMPRANILLO 8
- MERLOT 29

#### BUILT-IN.

- MALBEC 7
- BERE 20
- SYRAH 20
- CHIARETTO 31
- CIRO 46
- DOLCE 110
- CHIANTI 154
- LAMBRUSCO 160

### BEVERAGE CENTER

#### STAND ALONE

- PIAVE 70-B

#### BUILT-IN

- LIVENZA 178-B

13  
Categories

37  
Sub-Categories

200  
Products

## LINE UP

### ICE MAKERS

#### BUILT- IN

- FH36-BLACK
- FH45-BLACK

#### PORTABLE

- FH12-INOX
- FH12-BLACK
- FH18-INOX

### WATER DISPENSERS

- ACQUA
- LUSSO

### REFRIGERATORS

#### MINI FRIDGE

- BLACK-3
- MIRROR-3

#### TWIN

- TWIN 36D4PD
- TWIN 36D4PIFH

#### SIDE BY SIDE

- SILVER
- INOX
- INOX-18
- INOX-23
- BLACK
- BLACK-18
- BLACK-20CFAH
- BLACK-23
- MIRROR
- MIRROR-18
- MIRROR-20CFAH
- WHITE 23

#### FRENCH DOOR

- INOX-18D3P
- INOX-20D3P
- INOX-18D4P
- BLACK-18D4P
- MIRROR-18D4P
- BLACK-19D4P
- **GLASS-B 18FD4P**
- **GLASS-B 18CD4P**
- **DARK- I 18FD4P**
- **DARK-I 18CD4P**

### WATER HEATERS

#### GAS

- CLT10L BLACK
- **CLT13L BLACK**
- **CLT17L BLACK**
- **CLT21L BLACK**
- CLT13L
- CLT17L
- CLT21L

#### ELECTRIC

- CLTE6KW
- CLTE7KW
- CLTE9KW
- CLT14KW

### WASHING MACHINES

#### WASHING MACHINES

- LAVATRICE 1305

#### WASHING - DRYERS

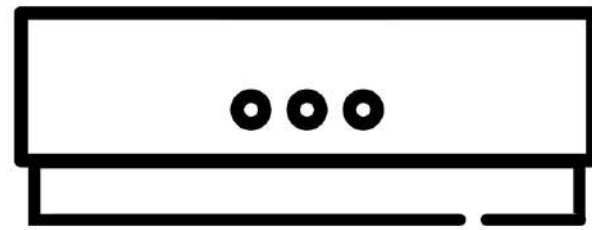
- LAVASCIUGA 1609

**13**  
Categories

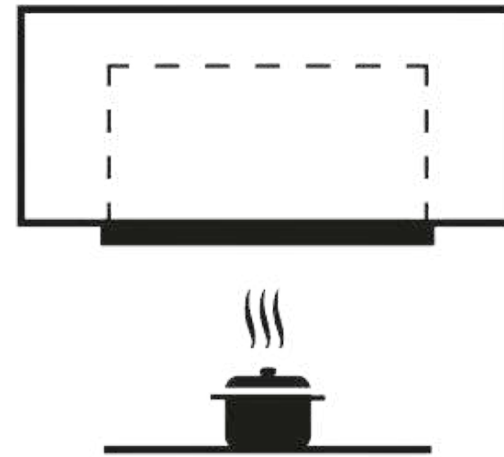
**37**  
Sub-Categories

**200**  
Products

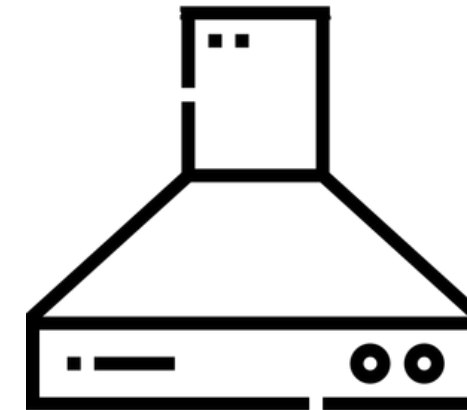
# RANGE HOODS



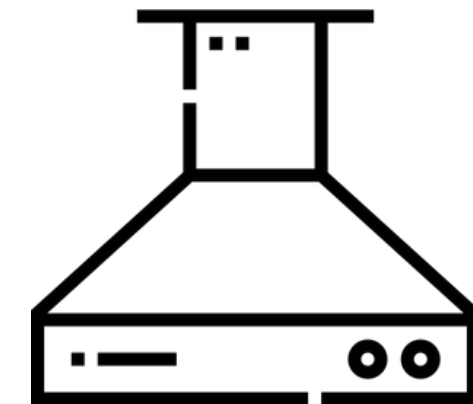
**COMPACT RANGE HOODS**



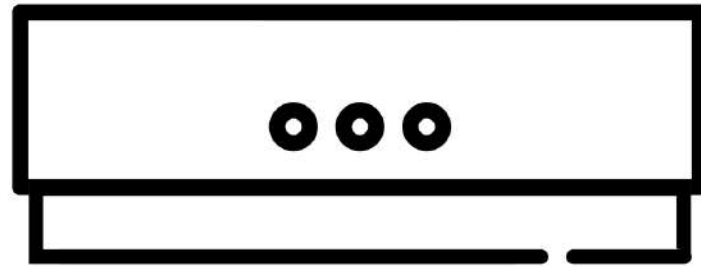
**CANOPY RANGE HOOD**



**WALL MOUNTED RANGE HOODS**



**ISLAND RANGE HOODS**



# COMPACT RANGE HOODS

- COMPATTO 60 ACERO
- COMPATTO 76 ACERO
- COMPATTO 90 ACERO
- COMPATTO 60 BLACK
- COMPATTO 76 BLACK
- COMPATTO 90 BLACK
- SLIM TOUCH 60 ACERO
- SLIM TOUCH 76 ACERO
- SLIM TOUCH 90 ACERO
- SLIM TOUCH 60 BLACK
- SLIM TOUCH 76 BLACK
- SLIM TOUCH 90 BLACK
- RETRÁCTIL 60 ACERO
- RETRÁCTIL 76 ACERO
- RETRÁCTIL 90 ACERO
- RETRÁCTIL TOUCH 60 BLACK
- RETRÁCTIL TOUCH 76 BLACK
- RETRÁCTIL TOUCH 90 BLACK

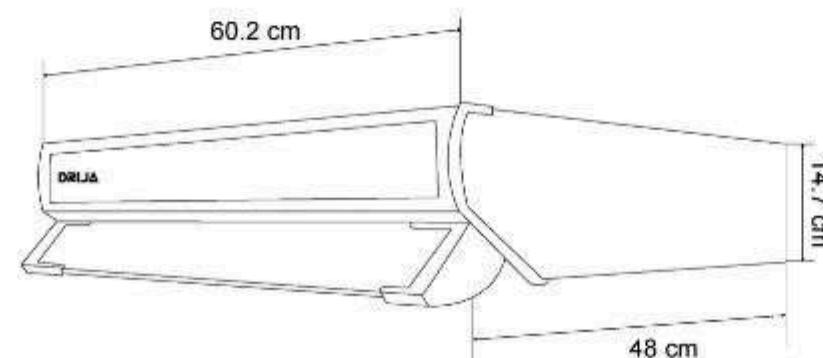
### COMPATTO 60 BLACK | ACERO

**1 YEAR** warranty **DR**



#### Installation

For optimal and safe performance, it is recommended to install the range hood at a distance of 76 cm (30 inches) above the cooktop. This placement ensures effective ventilation and proper functionality of the extractor.



Certification **CB**

## POD



#### Extraction levels

It features three fan speed levels: high, medium, and low.



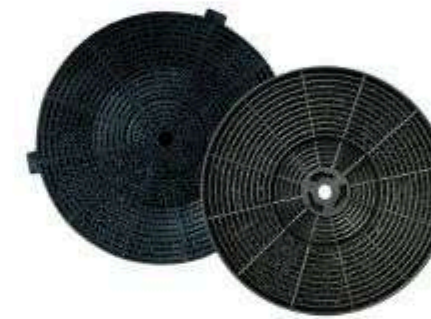
#### Extraction capacity

260 CMH



#### LED bulbs

2 LED bulbs to easily see what you're cooking.



#### Active carbon filter

The activated carbon filter traps and eliminates odors, smoke, and grease with high efficiency.



#### Stainless steel filters

Exceptional durability, corrosion resistance, and hassle-free cleaning.



#### Low noise

52-55 dB

## spec.

<b>Size</b>	60 cm
<b>Dimensions (cm)</b> (W x D x H)	60 x 48 x 14.70
<b>Materials</b>	Stainless steel- black+ Glass
<b>Net weight</b>	8.00 kg (B)- 7.08 kg (I)
<b>Noise</b>	52-55 dB
<b>Control</b>	Push Button
<b>CMH</b>	260
<b>Power</b>	120 W
<b>Voltage</b>	110V-60Hz
<b>Mounting type</b>	Wall-mounted

### PODs

- 2 Stainless steel filter – clean every 2 months.
- Modes: ducted and recirculating.
- 1 activated carbon filter – replace every 3 months.
- 2 LED lights.
- 3 extraction speeds.

\*\*\*Some images are for illustrative purposes only.

### COMPATTO 76 BLACK | ACERO

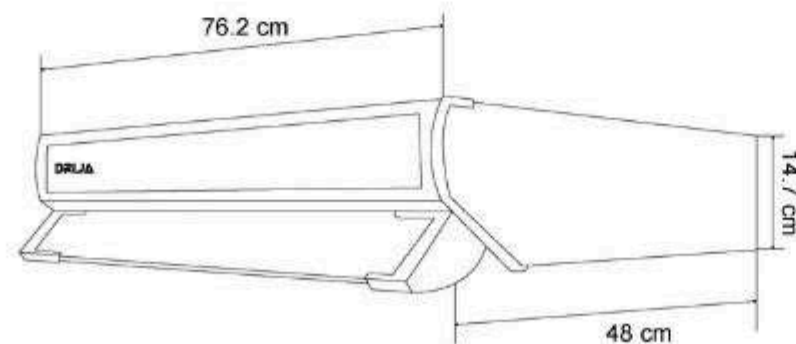
**1 AÑO**  
GARANTÍA

**DR**



#### Installation

For optimal and safe performance, it is recommended to install the range hood at a distance of 76 cm (30 inches) above the cooktop. This placement ensures effective ventilation and proper functionality of the extractor.



Certification

**CB**

### POD



#### Extraction levels

It features three fan speed levels: high, medium, and low.



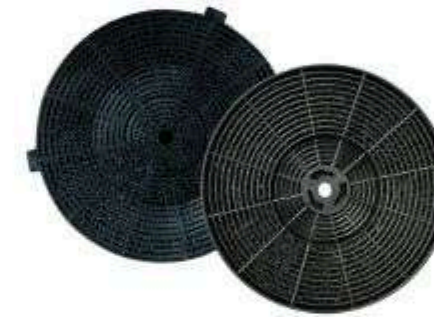
#### Extraction capacity

260 CMH



#### LED bulbs

2 LED bulbs to easily see what you're cooking.



#### Active carbon filter

The activated carbon filter traps and eliminates odors, smoke, and grease with high efficiency.



#### Stainless steel filters

Exceptional durability, corrosion resistance, and hassle-free cleaning.



#### Low noise

52-55 dB

### spec.

#### Size

76 cm

#### Dimensions (cm)

(W x D x H)

76 x 48 x 14.70

#### Materials

Stainless steel- black+ Glass

#### Net weight

8.7 kg(B)- 8.40 kg (I)

#### Noise

52- 55dB

#### Control

Push Button

#### CMH

260

#### Power

120 W

#### Voltage

110V-60Hz

#### Mounting type

Wall-mounted

### PODs

- 3 Stainless steel filter - clean every 2 months.
- Modes: ducted or recirculating.
- 1 activated carbon filter – replace every 3 months
- 2 LED lights.
- 3 extraction speeds.

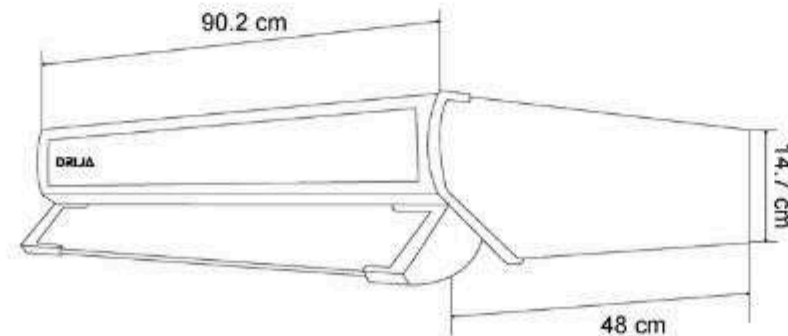
### COMPATTO 90 BLACK | ACERO

**1 AÑO**  
GARANTÍA



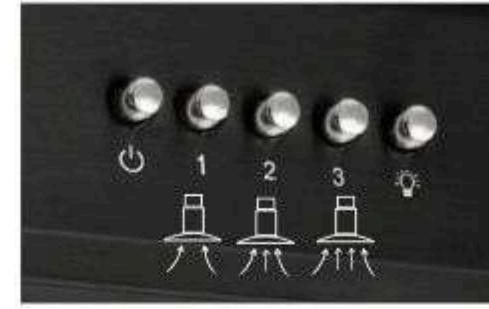
#### Installation

For optimal and safe performance, it is recommended to install the range hood at a distance of 76 cm (30 inches) above the cooktop. This placement ensures effective ventilation and proper functionality of the extractor.



Certification  
**CB**

#### POD



#### Extraction levels

It features three fan speed levels: high, medium, and low.



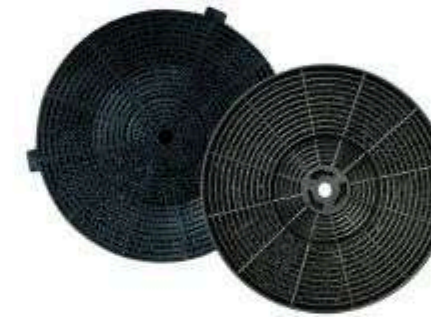
#### Extraction capacity

260 CMH



#### LED bulbs

2 LED bulbs to easily see what you're cooking.



#### Active carbon filter

The activated carbon filter traps and eliminates odors, smoke, and grease with high efficiency.



#### Stainless steel filters

Exceptional durability, corrosion resistance, and hassle-free cleaning.



#### Low noise

52-55 dB

#### spec.

<b>Size</b>	90 cm
<b>Dimensions (cm)</b> (W x D x H)	90 x 48 x 14.70
<b>Materials</b>	Steel - Black + Glass
<b>Net weight</b>	10.0 kg(B)- 9.3kg (I)
<b>Noise</b>	52- 55 dB
<b>Control</b>	Push Button
<b>CMH</b>	260
<b>Power</b>	120 W
<b>Voltage</b>	110V – 60 Hz
<b>Mounting type</b>	Wall-mounted

#### PODs

- 3 Stainless steel filters – clean every 2 months.
- Modes: ducted or recirculating.
- 1 activated carbon filter – replace every 3 months.
- 2 LED lights.
- 3 extraction speeds.

### SLIM TOUCH 60 BLACK | ACERO

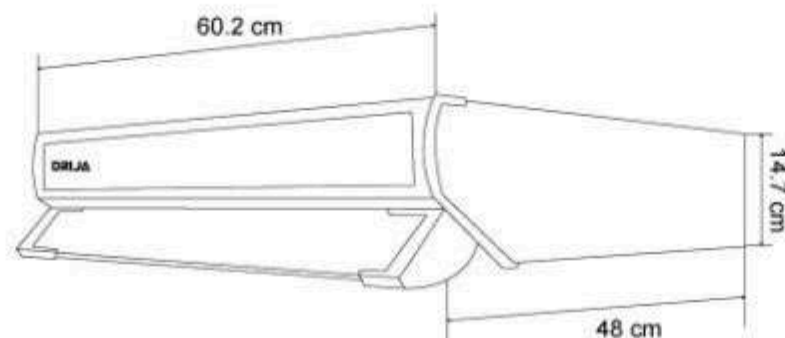
**1 AÑO**  
GARANTÍA

**DR**



#### Installation

For optimal and safe performance, it is recommended to install the range hood at a distance of 76 cm (30 inches) above the cooktop. This placement ensures effective ventilation and proper functionality of the extractor.



Certification  
**CB**

### POD



#### Shut-off timer

The automatic shut-off timer (1 hour) allows the extractor to stop on its own after the set time, preventing unnecessary energy consumption.



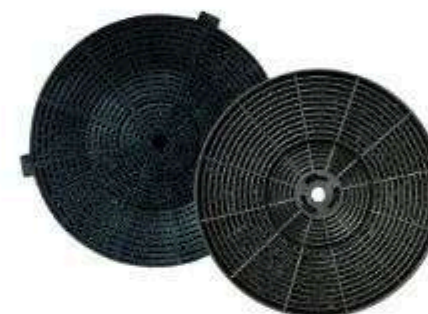
#### Extraction capacity

260 CMH



#### LED lights

2 LED bulbs to easily see what you're cooking.



#### Active carbon filter

The activated carbon filter traps and eliminates odors, smoke, and grease with high efficiency.



#### Stainless steel filters

Exceptional durability, corrosion resistance, and hassle-free cleaning.



#### Extraction levels

It features three fan speed levels: high, medium, and low.

### spec.

<b>Size</b>	60 cm
<b>Dimensions (cm)</b> <small>(W x D x H)</small>	60.2 x 48 x 14.70
<b>Materials</b>	Stainless steel - Black + Glass
<b>Net weight</b>	7.70 kg(B)- 7.00 kg (I)
<b>Noise</b>	52-55 dB
<b>Control</b>	Digital panel
<b>CMH</b>	260
<b>Power</b>	120 W
<b>Voltage</b>	110V - 60 Hz
<b>Mounting type</b>	Wall-mounted

### PODs

- 2 Stainless steel filters – clean every 2 months.
- Modes: ducted and recirculating.
- 1 activated carbon filter – replace every 3 months.
- 2 LED lights.
- 3 extraction speeds.

### SLIM TOUCH 76 BLACK | ACERO

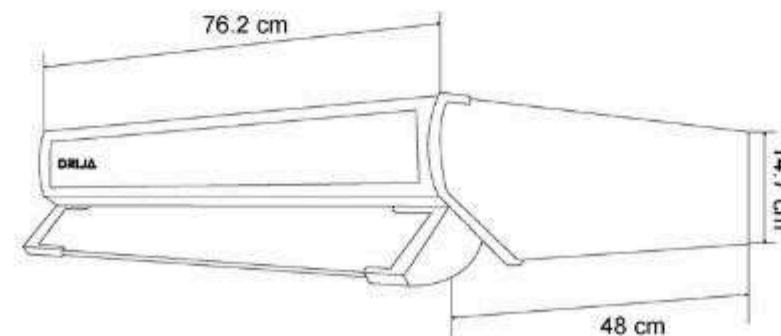
**1 AÑO**  
GARANTÍA

**DR**



#### Installation

For optimal and safe performance, it is recommended to install the range hood at a distance of 76 cm (30 inches) above the cooktop. This placement ensures effective ventilation and proper functionality of the extractor.



Certification  
**CB**

### POD



#### Shut-off timer

The automatic shut-off timer (1 hour) allows the extractor to stop on its own after the set time, preventing unnecessary energy consumption.



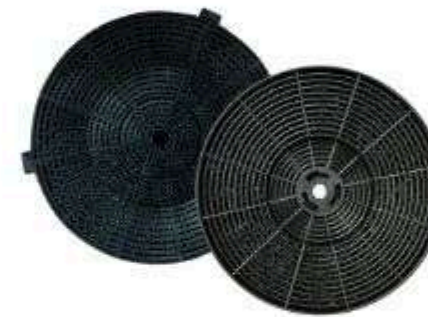
#### Extraction capacity

260 CMH



#### LED lights

2 LED bulbs to easily see what you're cooking.



#### Active carbon filter

The activated carbon filter traps and eliminates odors, smoke, and grease with high efficiency.



#### Stainless steel filters

Exceptional durability, corrosion resistance, and hassle-free cleaning.



#### Extraction levels

It features three fan speed levels: high, medium, and low.

#### PODs

- 3 Stainless steel filters – clean every 2 months.
- Modes: recirculating hood.
- 1 activated carbon filter – replace every 3 months.
- 2 LED lights.
- 3 extraction speeds.

### spec.

<b>Size</b>	76 cm
<b>Dimensions (cm)</b> <small>(W x D x H)</small>	76.2 x 48 x 14.70
<b>Materials</b>	Steel - Black + Glass
<b>Net weight</b>	9.00 kg(B)- 8.50 kg (I)
<b>Noise</b>	52-55 dB
<b>Control</b>	touch slide control
<b>CMH</b>	260
<b>Power</b>	120 W
<b>Voltage</b>	110V – 60 Hz
<b>Mounting type</b>	Wall-mounted

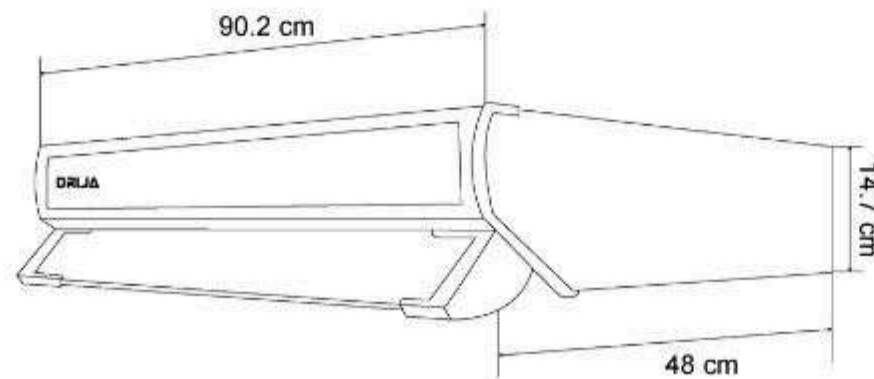
### SLIM TOUCH 90 BLACK | ACERO

**1 AÑO**  
GARANTÍA



#### Installation

For optimal and safe performance, it is recommended to install the range hood at a distance of 76 cm (30 inches) above the cooktop. This placement ensures effective ventilation and proper functionality of the extractor.



Certification

**CB**

### POD



#### Shut-off timer

The automatic shut-off timer (1 hour) allows the extractor to stop on its own after the set time, preventing unnecessary energy consumption.



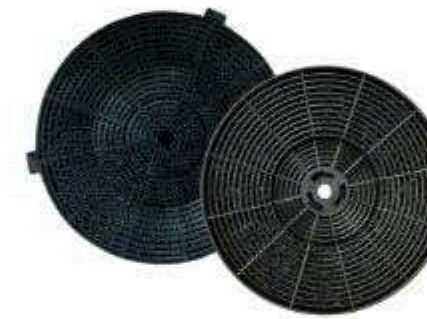
#### Extraction capacity

260 CMH



#### LED lights

2 LED bulbs to easily see what you're cooking.



#### Active carbon filter

The activated carbon filter traps and eliminates odors, smoke, and grease with high efficiency.



#### Stainless steel filters

Exceptional durability, corrosion resistance, and hassle-free cleaning.



#### Extraction levels

It features three fan speed levels: high, medium, and low.

### spec.

#### Size

90 cm

#### Dimensions (cm) (W x D x H)

90.2 x 48 x 14.70

#### Materials

Steel - Black + Glass

#### Net weight

10.70 kg(B)- 10.0 kg (I)

#### Noise

52-55 dB

#### Control

touch slide control

#### CMH

260

#### Power

120 W

#### Voltage

110V - 60 Hz

#### Mounting type

Wall-mounted

### PODs

- 3 Stainless steel filters – clean every 2 months.
- Modes: ducted or recirculating.
- 1 activated carbon filter – replace every 3 months.
- 2 LED lights.
- 3 extraction speeds.

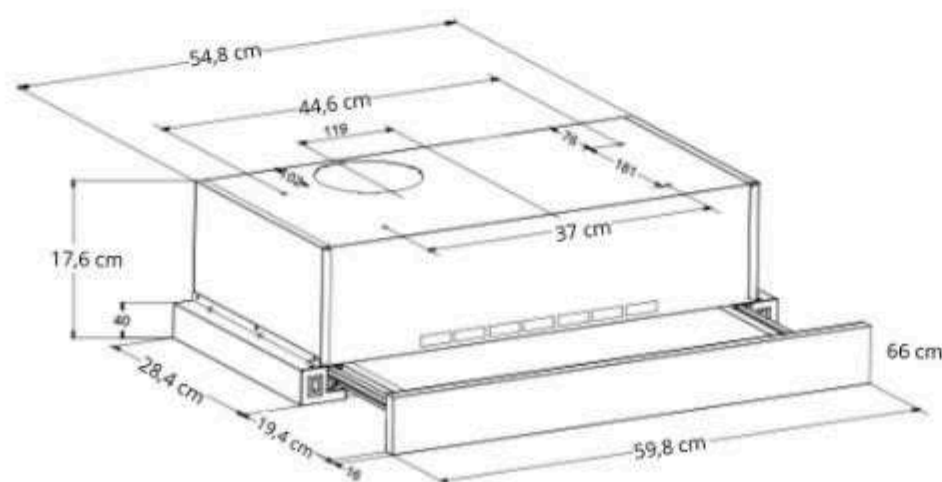
## RETRÁCTIL TOUCH 60 BLACK

**1 YEAR**  
warranty



### Installation

For optimal and safe performance, it is recommended to install the range hood at a distance of 76 cm (30 inches) above the cooktop. This placement ensures effective ventilation and proper functionality of the extractor.



Certification

**CB**

## POD



### Slim and modern desing

Its built-in structure with a slim black glass front blends into the kitchen seamlessly and elegantly –almost invisible by design.



### Extraction capacity

270 CMH



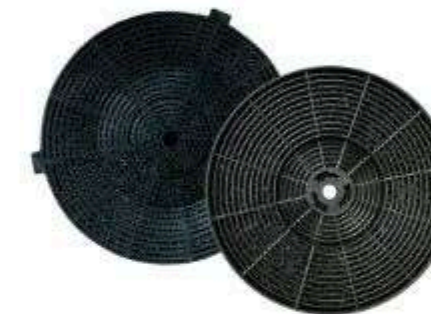
### LED strip light

LED strip to easily see what you're cooking.



### Clock and shut-off timer

Lets you view the time and set the extractor's operating duration for up to 1 hour.



### Active carbon filter

The activated carbon filter traps and eliminates odors, smoke, and grease with high efficiency.



### High filtration efficiency

Stainless steel and Aluminium filters effectively capture grease and residues, preventing buildup inside the hood.

## spec.

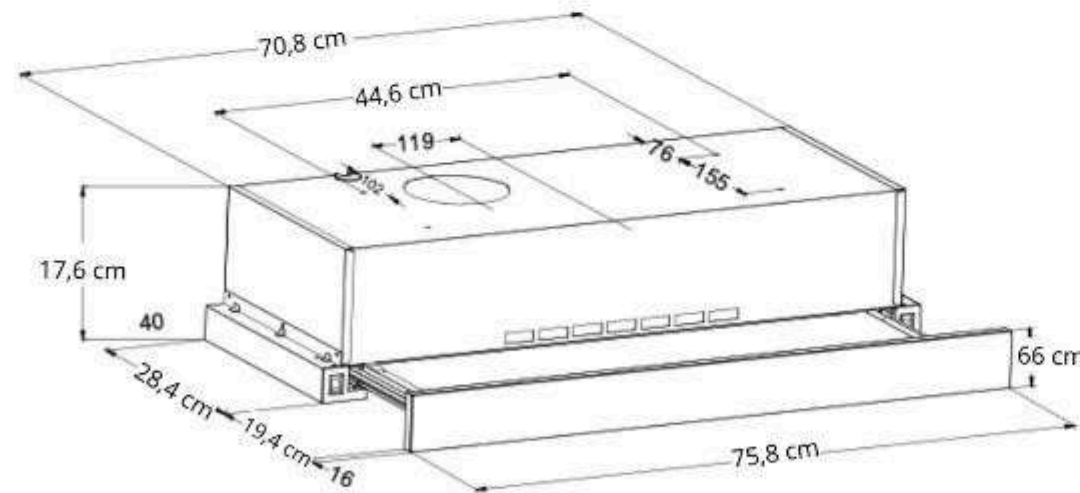
<b>Size</b>	60 cm
<b>Dimensions (cm)</b> (W x D x H)	58.9 x 30 x 17.60
<b>Materials</b>	Black glass
<b>Net weight</b>	5.82 kg
<b>Noise Control</b>	59-61 dB
<b>CMH</b>	touch slide control
<b>Light power</b>	270
<b>Power</b>	4W
<b>Voltage</b>	120 W
<b>Mounting type</b>	110V – 60 Hz
	Built-in

## PODs

- 2 Stainless steel + Aluminium filters – clean every 2 months.
- Modes: recirculating
- 1 activated carbon filter – replace every 6 months.
- 1 LED strip.
- 3 extraction speeds.

### RETRÁCTIL TOUCH 76 BLACK

**1 YEAR**  
warranty



#### Installation

For optimal and safe performance, it is recommended to install the range hood at a distance of 76 cm (30 inches) above the cooktop. This placement ensures effective ventilation and proper functionality of the extractor.

Certification

**CB**

### POD



#### Slim and modern desing

Its built-in structure with a slim black glass front blends into the kitchen seamlessly and elegantly –almost invisible by design.



#### Extraction capacity

270 CMH



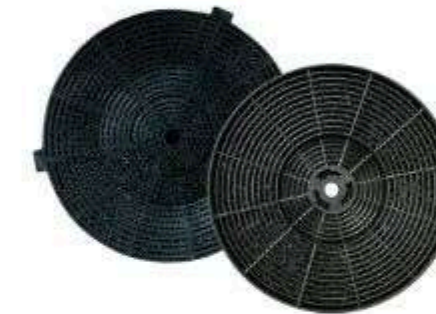
#### LED strip light

LED strip to easily see what you're cooking.



#### Clock and shut-off timer

Lets you view the time and set the extractor's operating duration for up to 1 hour.



#### Active carbon filter

The activated carbon filter traps and eliminates odors, smoke, and grease with high efficiency.



#### High filtration efficiency

Stainless steel and Aluminium filters effectively capture grease and residues, preventing buildup inside the hood.

### spec.

<b>Size</b>	76 cm
<b>Dimensions (cm)</b> (W x D x H)	75.8 x 30 x 17.60
<b>Materials</b>	Black glass
<b>Net weight</b>	7.22 kg
<b>Noise</b>	59-61 dB
<b>Control</b>	touch slide control
<b>CMH</b>	270
<b>Light power</b>	4W
<b>Power</b>	120 W
<b>Voltage</b>	110V – 60 Hz
<b>Mounting type</b>	Built-in

### PODs

- 2 Stainless steel + Aluminium filters – clean every 2 months
- Modes: recirculating
- 1 activated carbon filter – replace every 6 months
- 1 LED strip
- 3 extraction speeds

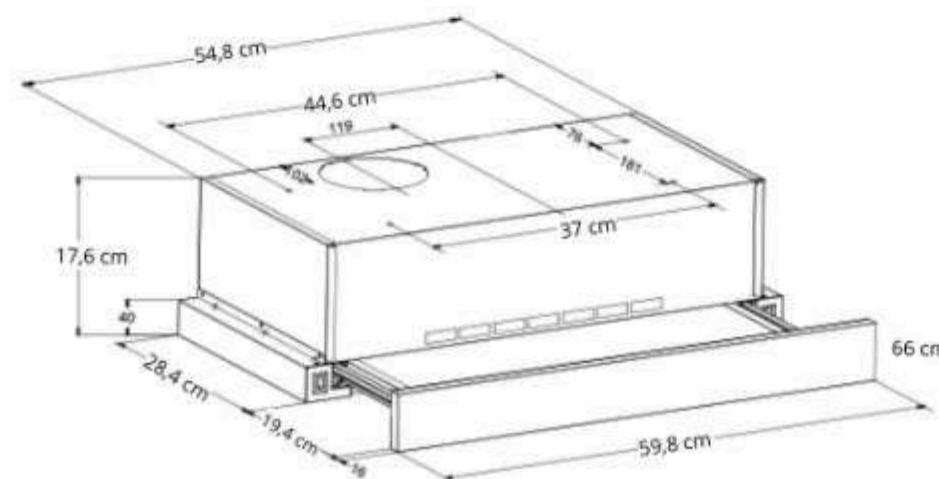
### RETRÁCTIL TOUCH 60 BLACK

**1 YEAR**  
warranty



#### Installation

For optimal and safe performance, it is recommended to install the range hood at a distance of 76 cm (30 inches) above the cooktop. This placement ensures effective ventilation and proper functionality of the extractor.



Certification  
**CB**

#### POD



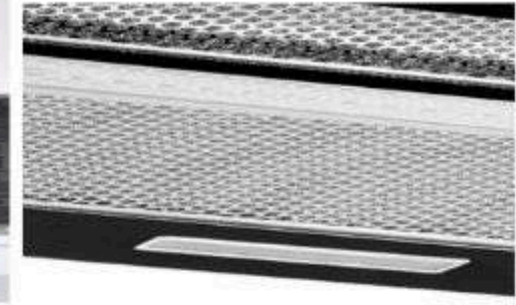
##### Slim and modern desing

Its built-in structure with a slim black glass front blends into the kitchen seamlessly and elegantly –almost invisible by design.



##### Extraction capacity

270 CMH



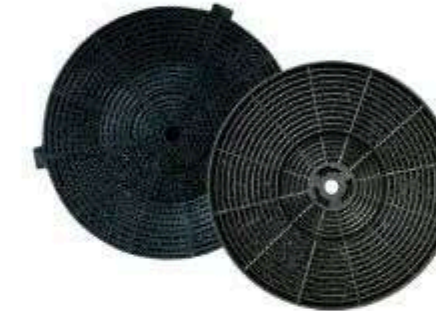
##### LED strip light

LED strip to easily see what you're cooking.



##### Clock and shut-off timer

Lets you view the time and set the extractor's operating duration for up to 1 hour.



##### Active carbon filter

The activated carbon filter traps and eliminates odors, smoke, and grease with high efficiency.



##### High filtration efficiency

Stainless steel and Aluminium filters effectively capture grease and residues, preventing buildup inside the hood.

#### spec.

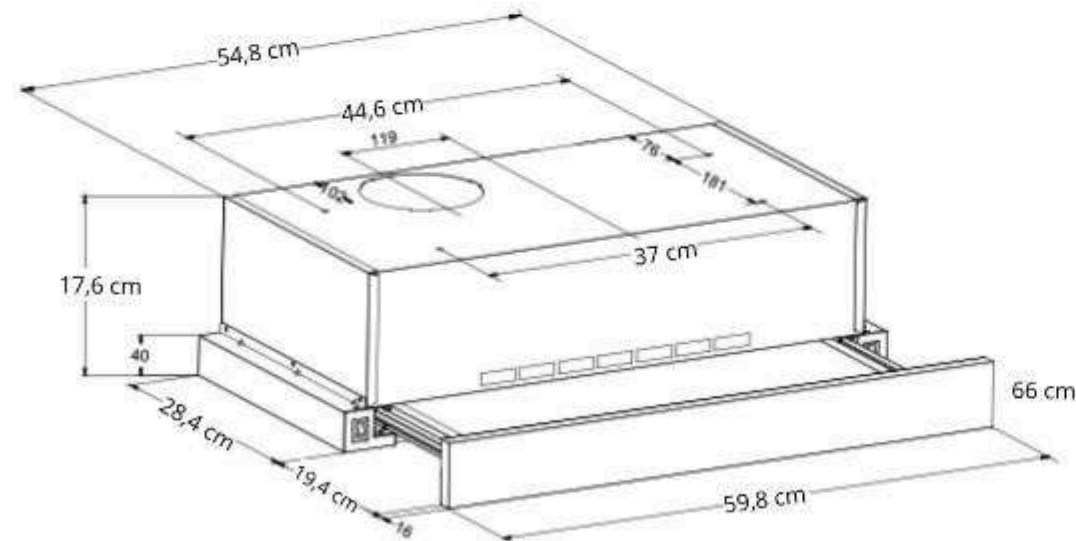
<b>Size</b>	60 cm
<b>Dimensions (cm)</b> (W x D x H)	58.9 x 30 x 17.60
<b>Materials</b>	Black glass
<b>Net weight</b>	5.82 kg
<b>Noise Control</b>	59-61 dB
<b>CMH</b>	touch slide control
<b>Light power</b>	270
<b>Power</b>	4W
<b>Voltage</b>	120 W
<b>Mounting type</b>	110V – 60 Hz
	Built-in

#### PODs

- 2 Stainless steel + Aluminium filters – clean every 2 months.
- Modes: recirculating
- 1 activated carbon filter – replace every 6 months.
- 1 LED strip.
- 3 extraction speeds.

### RETRÁCTIL 60 ACERO

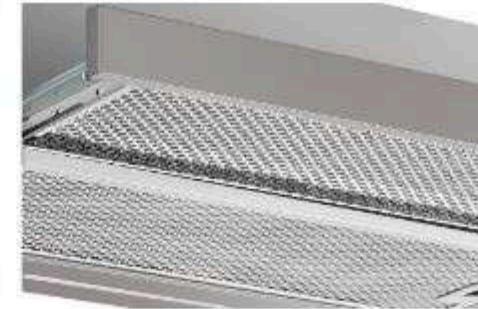
**1 YEAR**  
warranty



#### Installation

For optimal and safe performance, it is recommended to install the range hood at a distance of 76 cm (30 inches) above the cooktop. This placement ensures effective ventilation and proper functionality of the extractor.

#### POD



#### Slim and modern desing

Its built-in structure with a slim black glass front blends into the kitchen seamlessly and elegantly –almost invisible by design.



#### Extraction capacity

270 CMH



#### LED strip light

LED strip to easily see what you're cooking.



#### High filtration efficiency

Stainless steel and Aluminium filters effectively capture grease and residues, preventing buildup inside the hood.



#### Active carbon filter

The activated carbon filter traps and eliminates odors, smoke, and grease with high efficiency.



#### Easy and intuitive control

Offers practical, straightforward operation with no complication

#### spec.

<b>Size</b>	60 cm
<b>Dimensions (cm)</b> (W x D x H)	59.8 x 30 x 17.60
<b>Materials</b>	Stainless Steel
<b>Net weight</b>	5.82 kg
<b>Noise</b>	52-55 dB
<b>Control</b>	Switch
<b>CMH</b>	270
<b>Light power</b>	5W
<b>Power</b>	120 W
<b>Voltage</b>	120V – 60 Hz
<b>Mounting type</b>	Built-in

#### PODs

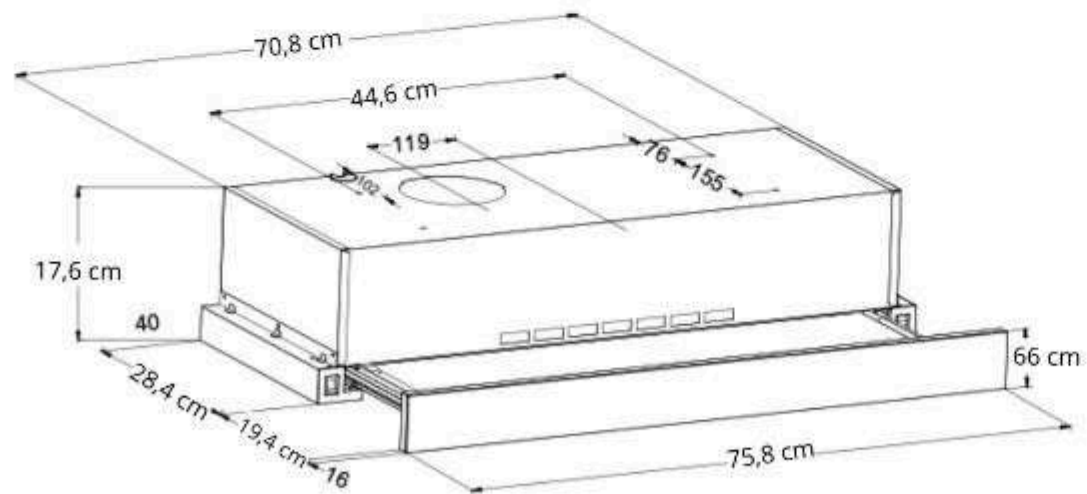
- 2 stainless steel + aluminum filters – clean every 2 months
- 1 activated carbon filter – replacement every 3 -6 months
- Modes: Recirculating | Ducted
- 2 extraction speeds

\*\*\*Some images are for illustrative purposes only.

### RETRÁCTIL 76 ACERO

**1 YEAR** warranty **DR**

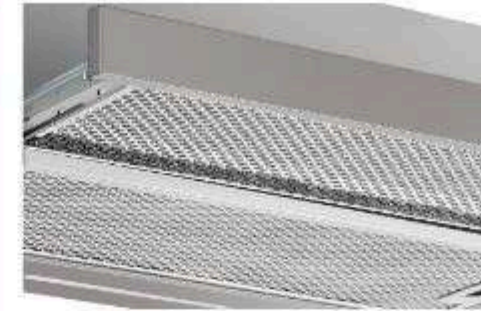
**NEW**



#### Installation

For optimal and safe performance, it is recommended to install the range hood at a distance of 76 cm (30 inches) above the cooktop. This placement ensures effective ventilation and proper functionality of the extractor.

#### POD



#### Slim and modern desing

Its built-in structure with a slim black glass front blends into the kitchen seamlessly and elegantly –almost invisible by design.



#### Extraction capacity

270 CMH



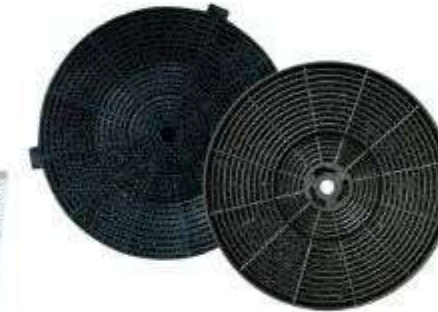
#### LED strip light

LED strip to easily see what you're cooking.



#### High filtration efficiency

Stainless steel and Aluminium filters effectively capture grease and residues, preventing buildup inside the hood.



#### Active carbon filter

The activated carbon filter traps and eliminates odors, smoke, and grease with high efficiency.



#### Easy and intuitive control

Offers practical, straightforward operation with no complication

#### spec.

<b>Size</b>	76 cm
<b>Dimensions (cm)</b> (W x D x H)	75.8 x 30 x 17.60
<b>Materials</b>	Stainless Steel
<b>Net weight</b>	7.22 kg
<b>Noise</b>	52-55 dB
<b>Control</b>	Switch
<b>CMH</b>	270
<b>Light power</b>	5W
<b>Power</b>	120 W
<b>Voltage</b>	120V – 60 Hz
<b>Mounting type</b>	Built-in

#### PODs

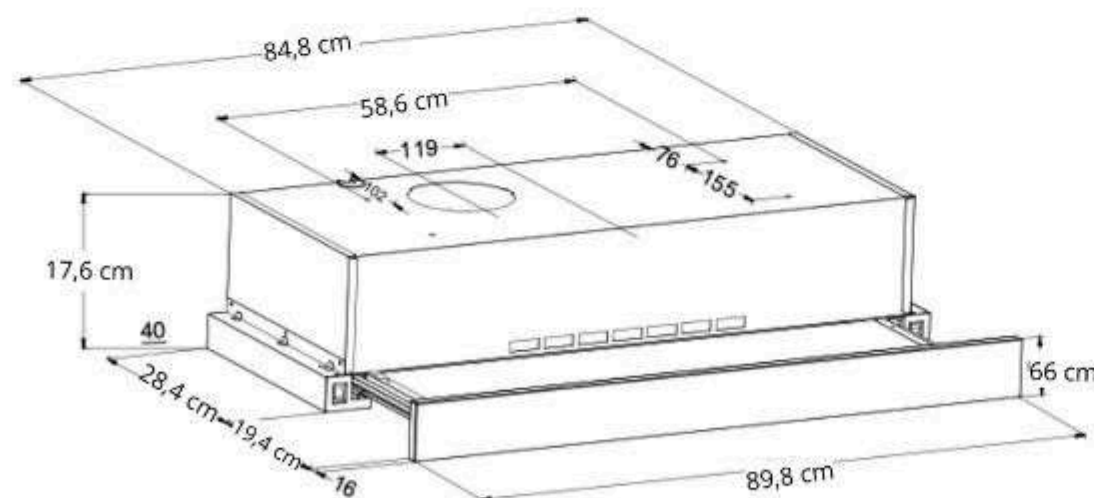
- 2 stainless steel + aluminum filters – clean every 2 months
- 1 activated carbon filter – replacement every 3 -6 months
- Modes: Recirculating | Ducted
- 2 extraction speeds

### RETRÁCTIL 90 ACERO

**1 YEAR**  
warranty

**DR**

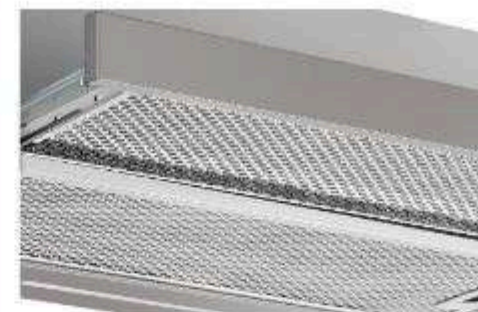
**NEW**



#### Installation

For optimal and safe performance, it is recommended to install the range hood at a distance of 76 cm (30 inches) above the cooktop. This placement ensures effective ventilation and proper functionality of the extractor.

#### POD



#### Slim and modern desing

Its built-in structure with a slim black glass front blends into the kitchen seamlessly and elegantly –almost invisible by design.



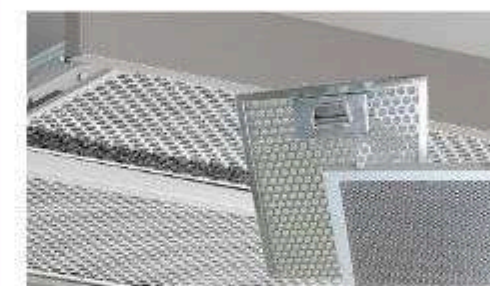
#### Extraction capacity

270 CMH



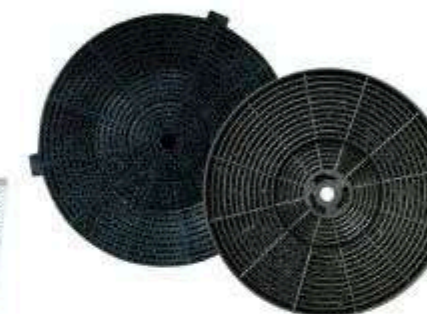
#### LED strip light

LED strip to easily see what you're cooking.



#### High filtration efficiency

Stainless steel and Aluminium filters effectively capture grease and residues, preventing buildup inside the hood.



#### Active carbon filter

The activated carbon filter traps and eliminates odors, smoke, and grease with high efficiency.



#### Easy and intuitive control

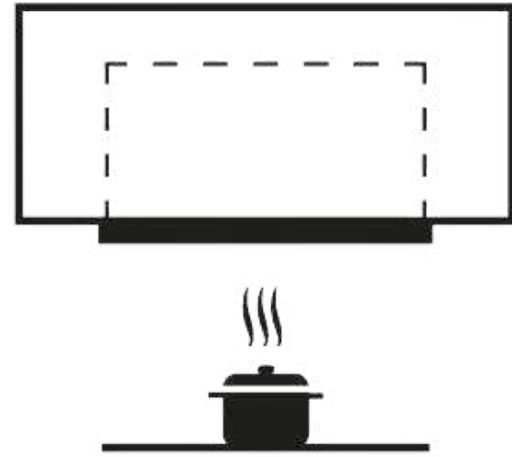
Offers practical, straightforward operation with no complication

#### spec.

<b>Size</b>	90 cm
<b>Dimensions (cm)</b> (W x D x H)	89.8 x 30 x 17.60
<b>Materials</b>	Stainless Steel
<b>Net weight</b>	8.24 kg
<b>Noise</b>	52-55 dB
<b>Control</b>	Switch
<b>CMH</b>	270
<b>Light power</b>	5W
<b>Power</b>	120 W
<b>Voltage</b>	120V – 60 Hz
<b>Mounting type</b>	Built-in

#### PODs

- 2 stainless steel + aluminum filters – clean every 2 months
- 1 activated carbon filter – replacement every 3 -6 months
- Modes: Recirculating | Ducted
- 2 extraction speeds



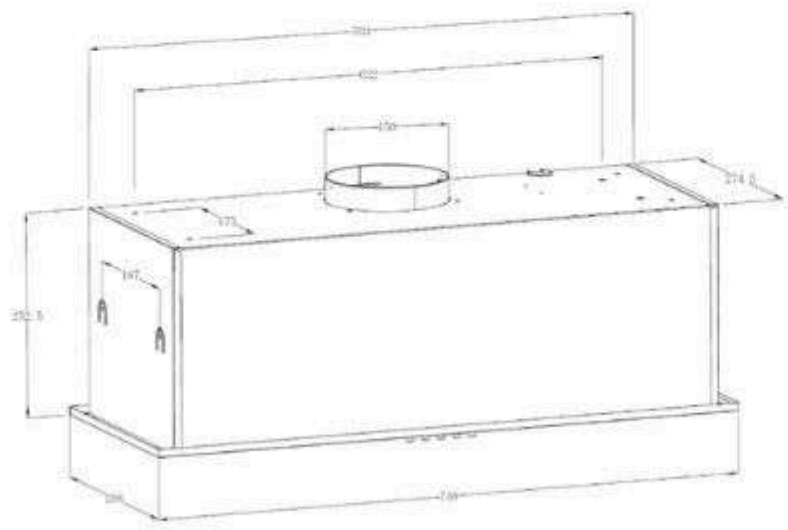
## CANOPIO

- INVISIBILE 76-I
- SOTTILE 60-B
- SOTTILE 90-B

### INVISIBLE 76 -I

**1 YEAR** warranty **DR**

**NEW**



**Installation**  
For optimal and safe performance, it is recommended to install the range hood at a distance of 76 cm (30 inches) above the cooktop. This placement ensures effective ventilation and proper functionality of the extractor.

**POD**



**Invisible built-in design**  
Seamlessly integrates into the kitchen with a minimalist style that stays out of sight for a clean, elegant finish.



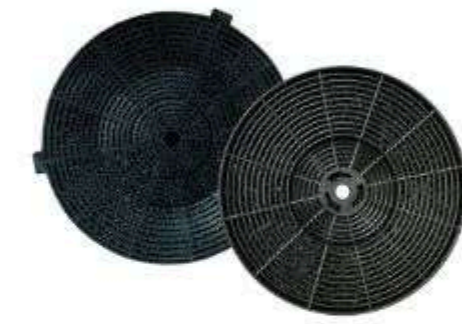
**Extraction capacity**  
650 MCH



**Push-button control**  
Simple and intuitive operation with three speed levels to suit every type of cooking.



**LED strip**  
The 4W LED strip perfectly illuminates the cooking area, offering greater durability and energy efficiency.



**2 activated carbon filters**  
Instantly eliminates odors and smoke—no complex installations required.



**Stainless steel filters**  
Exceptional durability, corrosion resistance, and easy cleaning.

**spec.**

<b>Size</b>	74.8 cm
<b>Dimensions (cm)</b> <small>(W x D x H)</small>	74.80 x 28.8 x 17.5
<b>Materials</b>	Stainless Steel
<b>Net weight</b>	9.5 kg
<b>Noise</b>	52-55 dB
<b>Control</b>	Push button
<b>CMH</b>	650
<b>Light power</b>	LED strip 4w
<b>Power</b>	120 W
<b>Voltage</b>	120V – 60 Hz
<b>Mounting type</b>	Built-in

**PODs**

- 2 stainless steel filters – maintenance every 2 months
- 2 round activated carbon filters – replacement every 6 months
- 1 LED strip
- 3 extraction speeds

\*\*\*Some images are for illustrative purposes only.

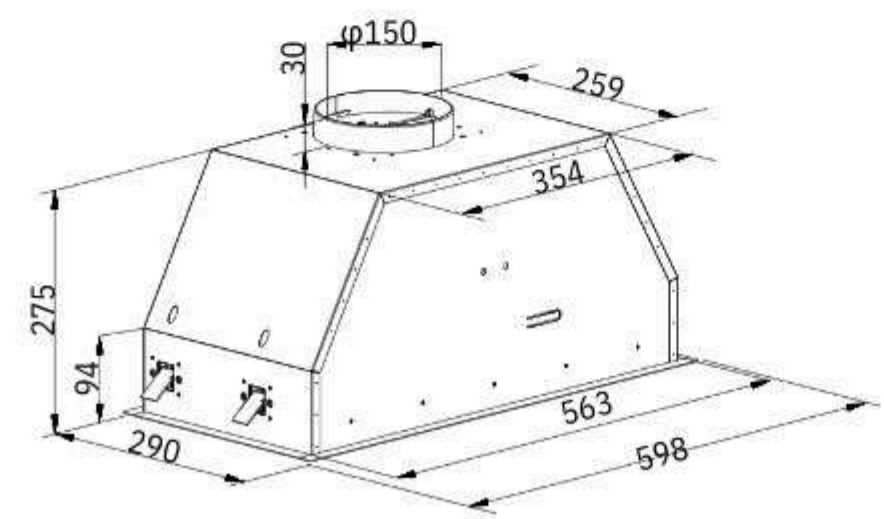
### SOTTILE 60-B

**1 YEAR** warranty **DR**

**NEW**



**Installation**  
For optimal and safe performance, it is recommended to install the range hood at a distance of 76 cm (30 inches) above the cooktop. This placement ensures effective ventilation and proper functionality of the extractor.



## POD



### Invisible built-in design

Seamlessly integrates into the kitchen with a minimalist style that stays out of sight for a clean, elegant finish.



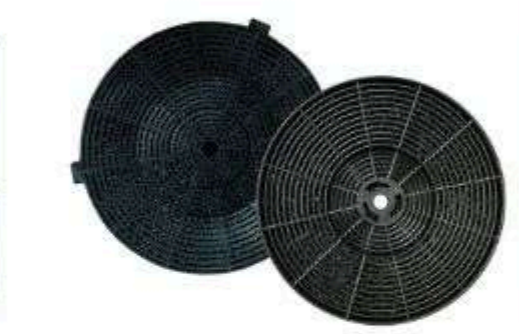
### Clock and programmable sleep timer

It allows you to view the time and program the extractor's operating time for up to 1 hour.



### Extraction capacity

500 MCH



### 2 activated carbon filters

Instantly eliminates odors and smoke—no complex installations required.



### Digital panel

Simple and intuitive operation with three speed levels to adapt to each type of preparation.



### Washable aluminum filter

Exceptional durability, corrosion resistance and hassle-free cleaning.

## spec.

<b>Size</b>	60 cm
<b>Dimensions (cm)</b> <small>(W x D x H)</small>	59.8 x 29 x 27.5
<b>Materials</b>	Matte black + glass
<b>Net weight</b>	8.6 kg
<b>Control</b>	Push button
<b>CMH</b>	500
<b>Light power</b>	LED strip 3.5w
<b>Power</b>	93.5 W
<b>Voltage</b>	120V – 60 Hz
<b>Mounting type</b>	Built-in

## PODs

- Aluminum filter – wash every 2 months
- 2 round activated carbon filters – replace every 6 months
- 1 LED strip
- 3 extraction speeds
- Includes duct for external ventilation

\*\*\*Some images are for illustrative purposes only.

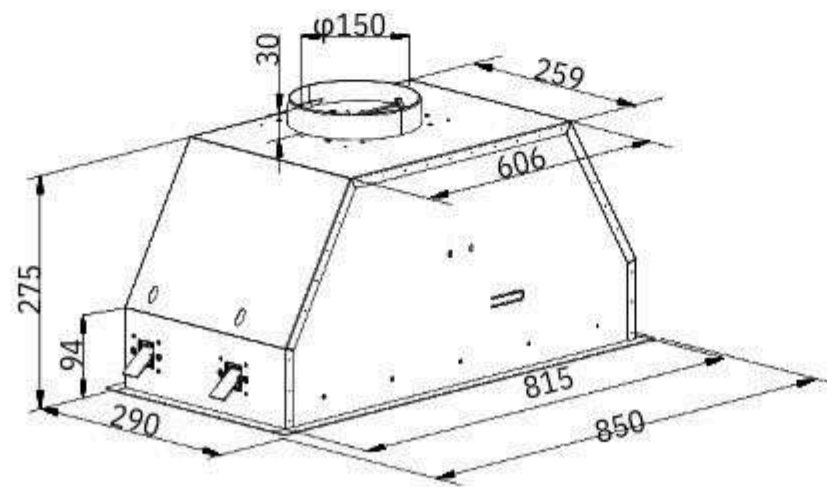
### SOTTILE 60-B

**1 YEAR** warranty **DR**

**NEW**



**Installation**  
For optimal and safe performance, it is recommended to install the range hood at a distance of 76 cm (30 inches) above the cooktop. This placement ensures effective ventilation and proper functionality of the extractor.



## POD



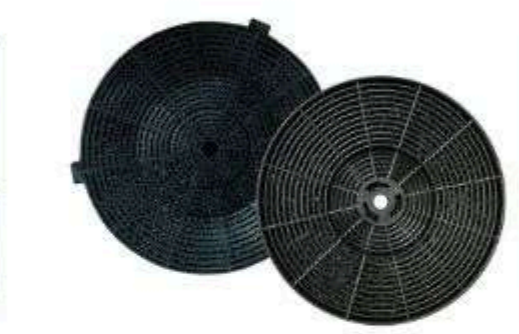
**Invisible built-in design**  
Seamlessly integrates into the kitchen with a minimalist style that stays out of sight for a clean, elegant finish.



**Clock and programmable sleep timer**  
It allows you to view the time and program the extractor's operating time for up to 1 hour.



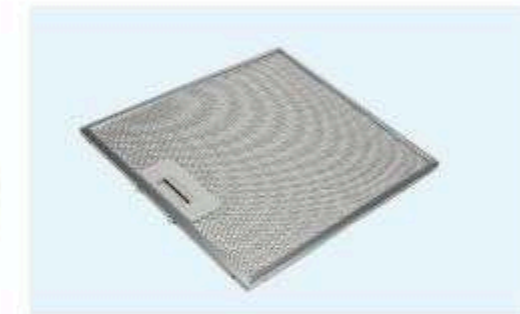
**Extraction capacity**  
500 MCH



**2 activated carbon filters**  
Instantly eliminates odors and smoke—no complex installations required.



**Digital panel**  
Simple and intuitive operation with three speed levels to adapt to each type of preparation.



**Washable aluminum filter**  
Exceptional durability, corrosion resistance and hassle-free cleaning.

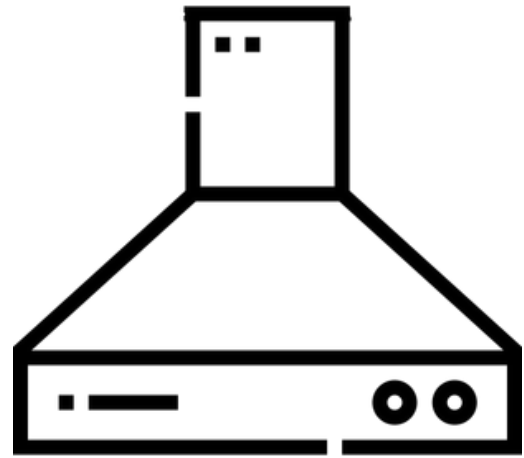
## spec.

<b>Size</b>	90 cm
<b>Dimensions (cm)</b> (W x D x H)	85 x 29 x 27.5
<b>Materials</b>	Matte black + glack glass
<b>Net weight</b>	10.8 kg
<b>Control</b>	Push botton
<b>CMH</b>	500
<b>Light power</b>	LED strip 3.5w
<b>Power</b>	93.5 W
<b>Voltage</b>	120V – 60 Hz
<b>Mounting type</b>	Built-in

### PODs

- Aluminum filter – wash every 2 months
- 2 round activated carbon filters – replace every 6 months
- 1 LED strip
- 3 extraction speeds
- Includes duct for external ventilation

\*\*\*Some images are for illustrative purposes only.



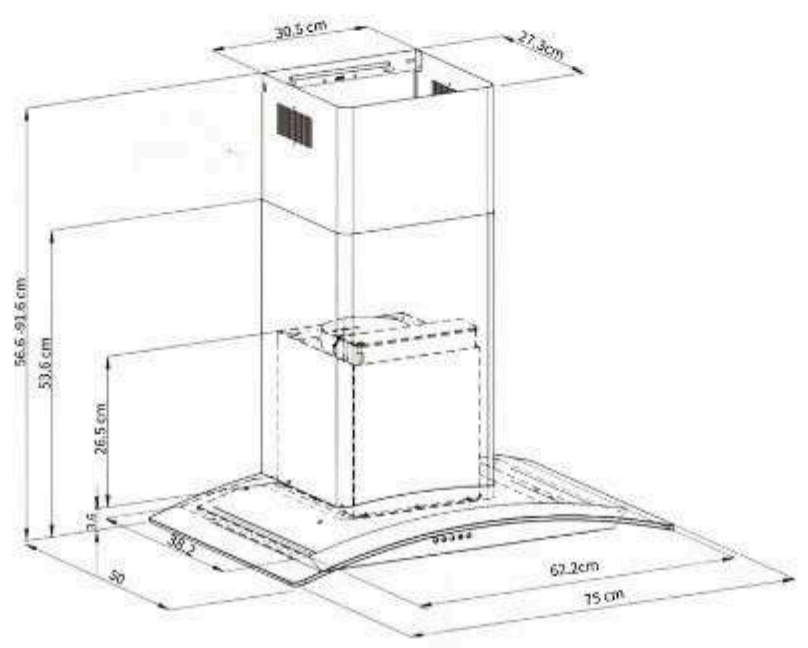
# BUILT-IN RANGE HOODS

- RECTÁNGULO 76 BLACK
- RECTÁNGULO 90 BLACK
- TRIANGOLO 60
- TRIANGOLO 76
- TRIANGOLO 90
- PIRÁMIDE 90 BLACK
- TRAPEZIO 90 BLACK
- PRISMA TOUCH 60
- PRISMA TOUCH 76
- PRISMA TOUCH 90
- GALAXY 76
- GALAXY 90
- QUADRATO 76 BLACK
- QUADRATO 90 BLACK
- QUADRATO 76 ACERO
- QUADRATO 90 ACERO

### GALAXY 76 BLACK | ACERO

**1 YEAR** warranty **DR**

Update



**Installation**  
For optimal and safe performance, it is recommended to install the range hood at a distance of 76 cm (30 inches) above the cooktop. This placement ensures effective ventilation and proper functionality of the extractor.

POD

spec.



**Extraction capacity**  
500 CMH



**Active carbon filter**  
The activated carbon filter traps and eliminates odors, smoke, and grease with high efficiency.



**Push-button panel**  
The push-button panel gives you quick access to all essential functions—fan speed, lighting, and timer—making operation easy and intuitive every time.



**Stainless steel filters**  
Exceptional durability, corrosion resistance, and hassle-free cleaning.



**LED bulbs**  
2 LED bulbs to easily see what you're cooking.



**Adjustable height chimney**  
Versatile, adaptable, efficient, practical.

<b>Size</b>	76 cm
<b>Dimensions (cm)</b> (W x D x H)	75 x 50 x 56.6-91.6
<b>Materials</b>	Stainless steel   Matte black - Tempered glass
<b>Net weight</b>	16.72 kg
<b>Noise</b>	59-61 dB
<b>Control</b>	Push-button panel
<b>CMH</b>	500
<b>Power</b>	94 W
<b>Voltage</b>	110-127/ 60 Hz
<b>Mounting type</b>	Wall-mounted

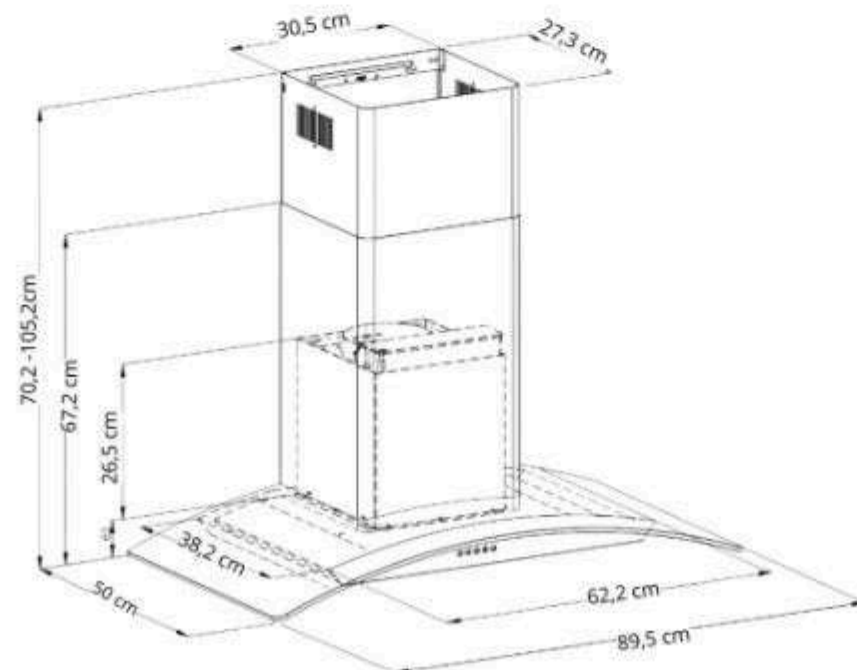
PODs

- 2 Stainless steel filters – clean every 2 months.
- Tempered glass.
- 1 activated carbon filter – replace every 3 to 6 months.
- 2 LED lights.
- 3 extraction speeds.
- 2 chimneys.

\*\*\*Some images are for illustrative purposes only.

### GALAXY 90 BLACK | ACERO

**1 YEAR**  
warranty



**Installation**  
For optimal and safe performance, it is recommended to install the range hood at a distance of 76 cm (30 inches) above the cooktop. This placement ensures effective ventilation and proper functionality of the extractor.

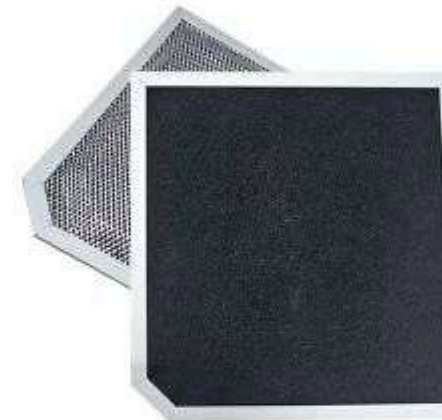
## POD

## spec.



### Extraction capacity

500 CMH



### Active carbon filter

The activated carbon filter traps and eliminates odors, smoke, and grease with high efficiency.



### Push-button panel

The push-button panel gives you quick access to all essential functions—fan speed, lighting, and timer—making operation easy and intuitive every time.



### Stainless steel filters

Exceptional durability, corrosion resistance, and hassle-free cleaning.



### LED bulbs

2 LED bulbs to easily see what you're cooking.



### Adjustable height chimney

Versatile, adaptable, efficient, practical.

<b>Size</b>	90 cm
<b>Dimensions (cm)</b> <small>(W x D x H)</small>	89.50 x 50 x 70.2-105.2
<b>Materials</b>	Stainless steel   Matte black - Tempered glass
<b>Net weight</b>	18.22 kg
<b>Noise</b>	59-61 dB
<b>Control</b>	Push-button panel
<b>CMH</b>	500
<b>Power</b>	94W
<b>Voltage</b>	110-127/ 60 Hz
<b>Mounting type</b>	Wall-mounted

### PODs

- 2 Stainless steel filters – clean every 2 months.
- Tempered glass.
- 1 activated carbon filter – replace every 3 to 6 months.
- 2 LED lights.
- 3 extraction speeds.
- 2 chimneys.

\*\*\*Some images are for illustrative purposes only.

### PRISMA TOUCH 60 BLACK | ACERO

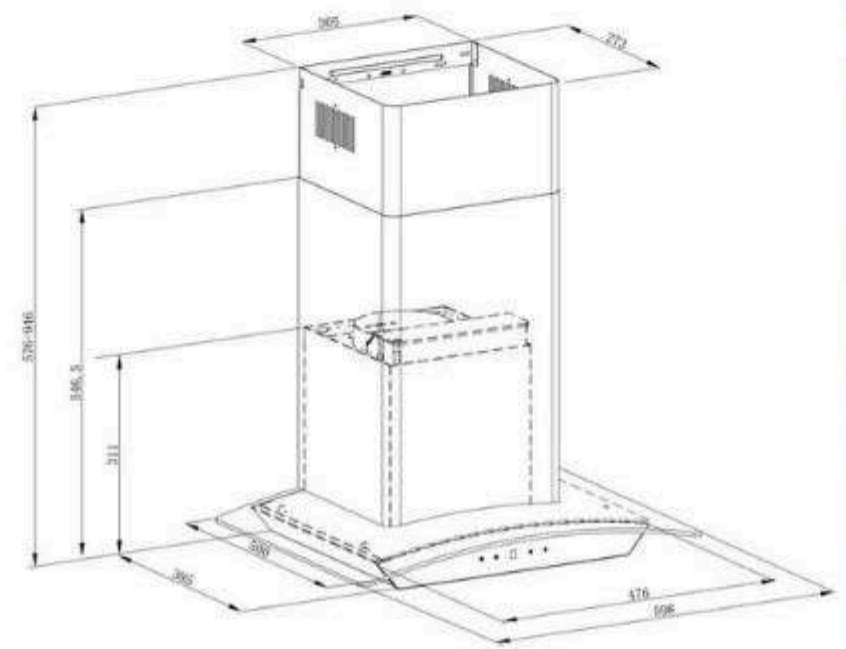
**1 YEAR** warranty **DR**

Update



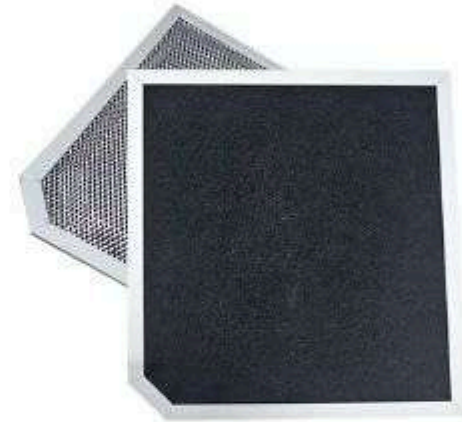
POD

**Installation**  
For optimal and safe performance, it is recommended to install the range hood at a distance of 76 cm (30 inches) above the cooktop. This placement ensures effective ventilation and proper functionality of the extractor.



**Extraction capacity**

500 CMH



**Active carbon filter**

The activated carbon filter traps and eliminates odors, smoke, and grease with high efficiency.



NEW

**Clock and programmable sleep timer**

It allows you to view the time and program the extractor's operating time for up to 1 hour.



**Stainless steel filters**

Exceptional durability, corrosion resistance, and hassle-free cleaning.



**LED bulbs**

2 LED bulbs to easily see what you're cooking.



**Adjustable height chimney**

Versatile, adaptable, efficient, practical.

spec.

<b>Size</b>	60 cm
<b>Dimensions (cm)</b> <small>(W x D x H)</small>	59.8 x 50 x 57.6-94.6
<b>Materials</b>	Stainless steel   Matte black - Tempered glass
<b>Net weight</b>	14.44 kg
<b>Noise</b>	59-61 dB
<b>Control</b>	touch slide control
<b>CMH</b>	500
<b>Power</b>	93 W
<b>Voltage</b>	110-127/ 60 Hz
<b>Mounting type</b>	Wall-mounted

PODs

- 2 Stainless steel filters – clean every 2 months
- Tempered glass
- 1 activated carbon filter – replace every 3 to 6 months
- 2 LED lights
- 3 extraction speeds
- 2 chimneys

\*\*\*Some images are for illustrative purposes only.

### PRISMA TOUCH 76 BLACK | ACERO

**1 YEAR**  
warranty

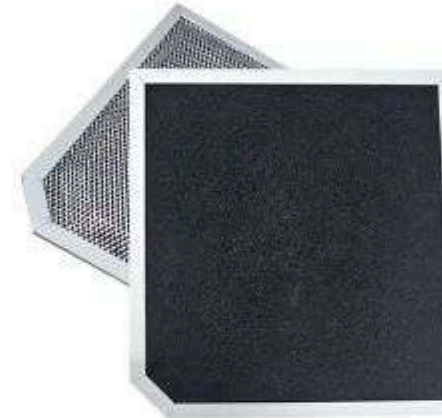


POD



**Extraction capacity**

500 CMH



**Active carbon filter**

The activated carbon filter traps and eliminates odors, smoke, and grease with high efficiency.



**Clock and programmable sleep timer**

It allows you to view the time and program the extractor's operating time for up to 1 hour.



**Stainless steel filters**

Exceptional durability, corrosion resistance, and hassle-free cleaning.



**LED bulbs**

2 LED bulbs to easily see what you're cooking.

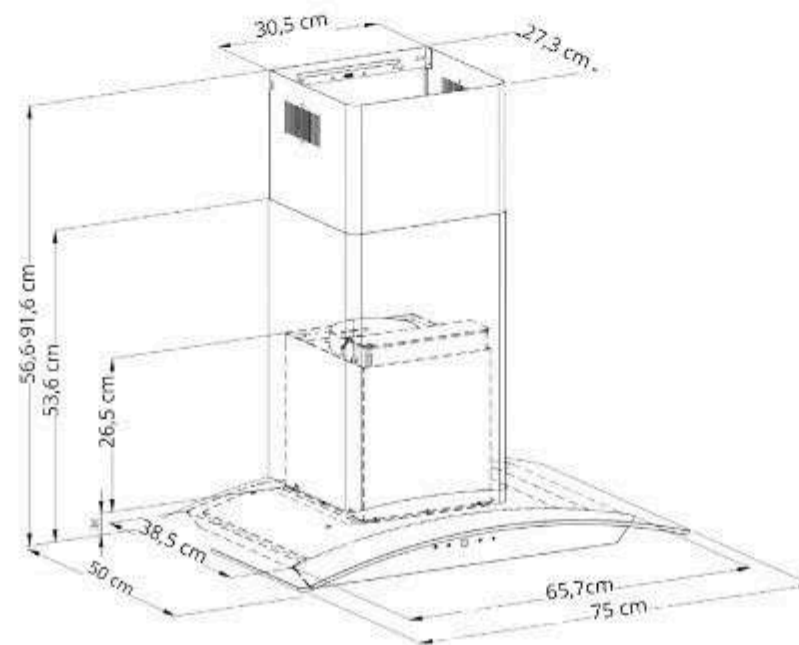


**Adjustable height chimney**

Versatile, adaptable, efficient, practical.

### Installation

For optimal and safe performance, it is recommended to install the range hood at a distance of 76 cm (30 inches) above the cooktop. This placement ensures effective ventilation and proper functionality of the extractor.



spec.

<b>Size</b>	76 cm
<b>Dimensions (cm)</b> <small>(W x D x H)</small>	75 x 50 x 56.6-91.6
<b>Materials</b>	Stainless steel   Matte black - Tempered glass
<b>Net weight</b>	17.20 kg
<b>Noise</b>	59-61 dB
<b>Control</b>	touch slide control
<b>CMH</b>	500
<b>Power</b>	93 W
<b>Voltage</b>	110-127/ 60 Hz
<b>Mounting type</b>	Wall-mounted

### PODs

- 2 Stainless steel filters – clean every 2 months
- Tempered glass
- 1 activated carbon filter – replace every 3 to 6 months
- 2 LED lights
- 3 extraction speeds
- 2 chimneys

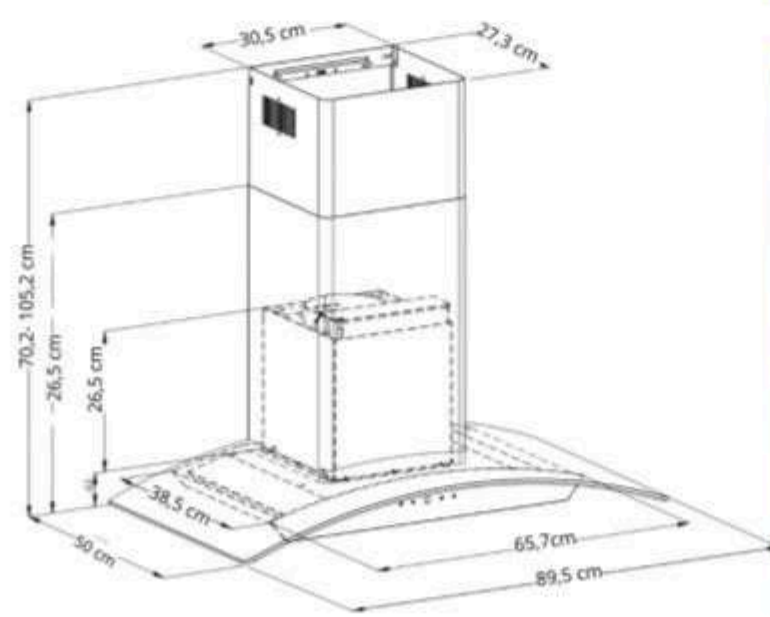
### PRISMA TOUCH 90 BLACK | ACERO

**1 YEAR**  
warranty



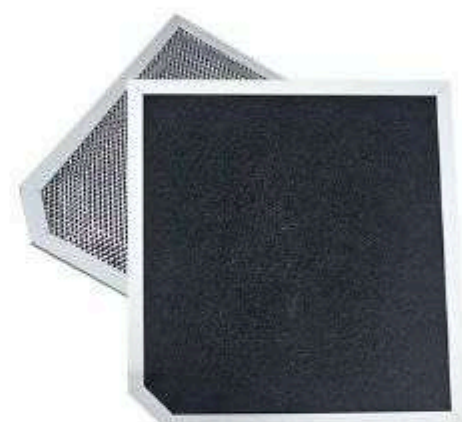
**POD**

**Installation**  
For optimal and safe performance, it is recommended to install the range hood at a distance of 76 cm (30 inches) above the cooktop. This placement ensures effective ventilation and proper functionality of the extractor.



**Extraction capacity**

500 CMH



**Active carbon filter**

The activated carbon filter traps and eliminates odors, smoke, and grease with high efficiency.



**Clock and programmable sleep timer**

It allows you to view the time and program the extractor's operating time for up to 1 hour.



**Stainless steel filters**

Exceptional durability, corrosion resistance, and hassle-free cleaning.



**LED bulbs**

2 LED bulbs to easily see what you're cooking.



**Adjustable height chimney**

Versatile, adaptable, efficient, practical.

**spec.**

<b>Size</b>	90 cm
<b>Dimensions (cm)</b> <small>(W x D x H)</small>	89.5 x 50 x 70.2-105.2
<b>Materials</b>	Stainless steel   Matte black - Tempered glass
<b>Net weight</b>	18.66 kg
<b>Noise</b>	59-61 dB
<b>Control</b>	touch slide control
<b>CMH</b>	500
<b>Power</b>	93 W
<b>Voltage</b>	110-127/ 60 Hz
<b>Mounting type</b>	Wall-mounted

**PODs**

- 2 Stainless steel filters – clean every 2 months
- Tempered glass
- 1 activated carbon filter – replace every 3 to 6 months
- 2 LED lights
- 3 extraction speeds
- 2 chimneys

\*\*\*Some images are for illustrative purposes only.

### RECTÁNGULO 76 BLACK

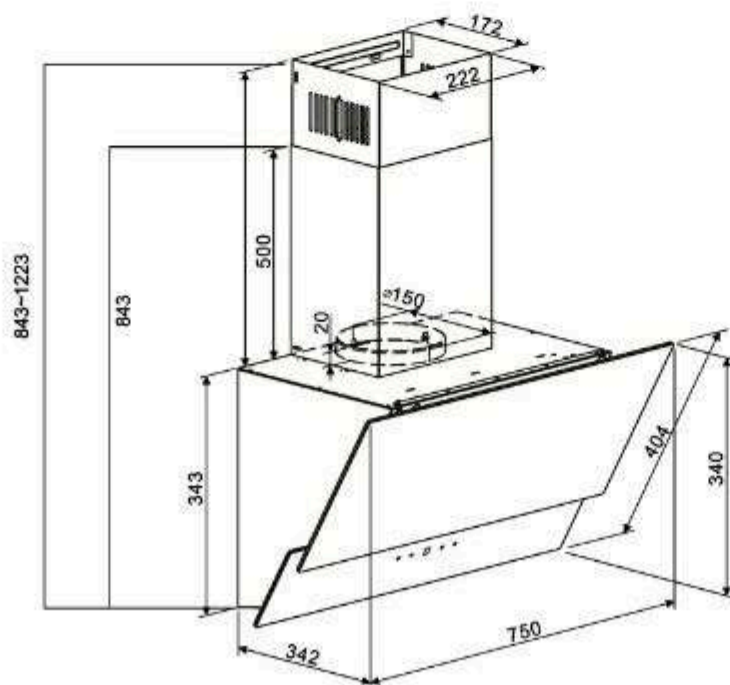
**1 YEAR**  
warranty

**DR**



#### Installation

For optimal and safe performance, it is recommended to install the range hood at a distance of 76 cm (30 inches) above the cooktop. This placement ensures effective ventilation and proper functionality of the extractor.



## POD

## spec.



#### Elegant design

For a modern kitchen with elegant design, featuring a black glass finish that enhances your space.



#### Extraction capacity

400 CMH



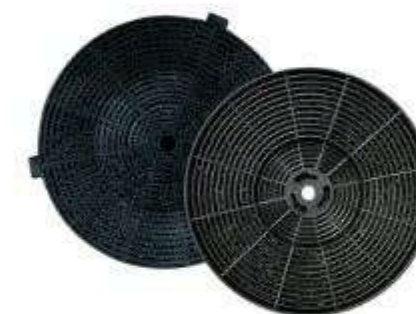
#### Automatic shut-off timer

The automatic shut-off timer (1 hour) allows the unit to turn off by itself after the set time, helping prevent unnecessary energy consumption.



#### LED strip light

LED strip to easily see what you're cooking.



#### 2 activated carbon filter

The activated carbon filter traps and eliminates odors, smoke, and grease with high efficiency.



#### Washable Aluminium filters

Exceptional durability, corrosion resistance and hassle-free cleaning.

#### Size

76 cm

#### Dimensions (cm) (W x D x H)

75.8 x 34.2 x 84.3 - 122.3

#### Materials

Black tempered glass

#### Net weight

11.10 kg

#### Noise

59-61 dB

#### Control

Digital touch panel

#### CMH

400

#### Power

71.5 W

#### Voltage

110-127/ 60 Hz

#### Mounting type

Wall-mounted

#### PODs

- 1 Aluminium filter – clean every 2 months
- 2 activated carbon filters – replace every 3 months
- 1 LED strip
- 3 extraction speeds
- 2 chimneys
- Quiet extraction.

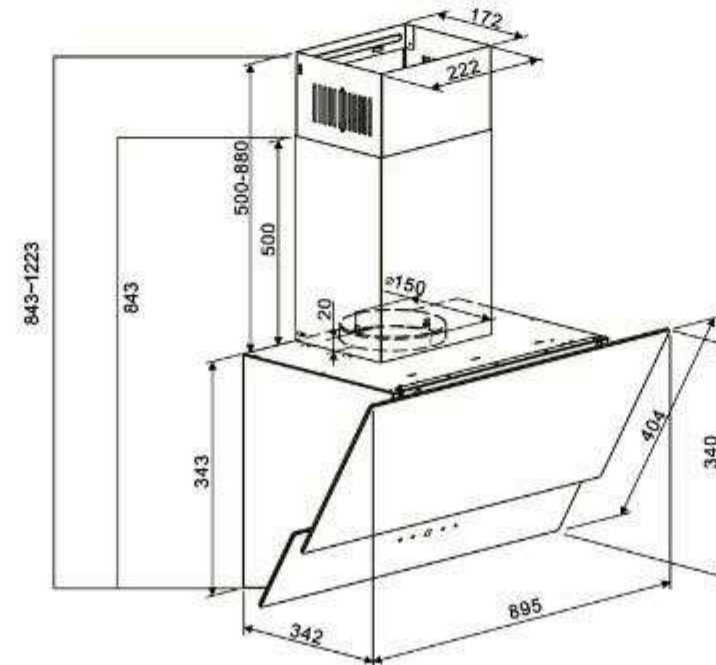
### RECTÁNGULO 90 BLACK

**1 YEAR**  
warranty



#### Installation

For optimal and safe performance, it is recommended to install the range hood at a distance of 76 cm (30 inches) above the cooktop. This placement ensures effective ventilation and proper functionality of the extractor.



### POD

### spec.



#### Elegant design

For a modern kitchen with elegant design, featuring a black glass finish that enhances your space.



#### Extraction capacity

400 CMH



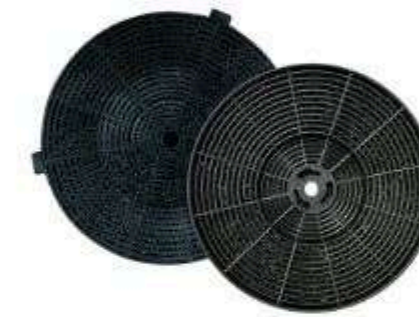
#### Automatic shut-off timer

The automatic shut-off timer (1 hour) allows the unit to turn off by itself after the set time, helping prevent unnecessary energy consumption.



#### LED strip light

LED strip to easily see what you're cooking.



#### 2 activated carbon filter

The activated carbon filter traps and eliminates odors, smoke, and grease with high efficiency.



#### Washable Aluminium filters

Exceptional durability, corrosion resistance and hassle-free cleaning.

#### PODs

- 1 Aluminium filter – clean every 2 months
- 2 activated carbon filters – replace every 3 months
- 1 LED strip
- 3 extraction speeds
- 2 chimneys
- Quiet extraction.

#### Size

90 cm

#### Dimensiones (W x D x H)

89.5 x 34.2 x 84.3 - 122.3

#### Materials

Black tempered glass

#### Net weight

12 kg

#### Noise

59-61 dB

#### Control

Touch slide control

#### CMH

400

#### Power

71.5 W

#### Voltage

110-127/ 60 Hz

#### Mounting type

Wall-mounted

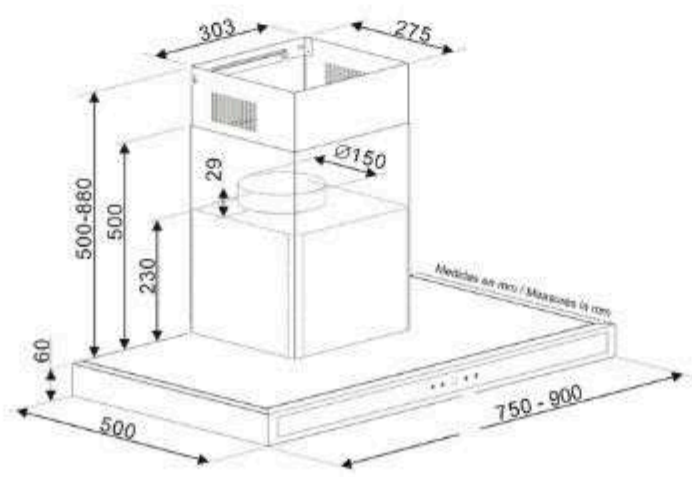
### QUADRATO 76 BLACK | ACERO

**1 YEAR** warranty **DR**

Update



**Installation**  
For optimal and safe performance, it is recommended to install the range hood at a distance of 76 cm (30 inches) above the cooktop. This placement ensures effective ventilation and proper functionality of the extractor.

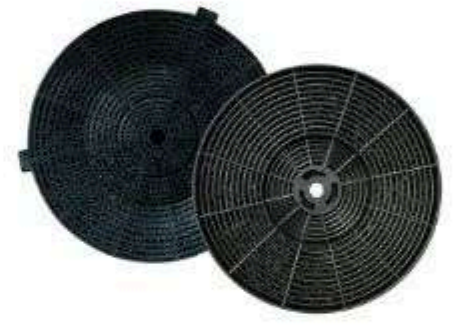


## POD

## spec.



**Extraction capacity**  
500 CMH



**2 activated carbon filters**  
The activated carbon filter traps and eliminates odors, smoke, and grease with high efficiency.



**Clock and programmable sleep timer**  
It allows you to view the time and program the extractor's operating time for up to 1 hour.



**Stainless steel filters**  
Exceptional durability, corrosion resistance, and hassle-free cleaning.



**Compact desing**  
Its slim, vertical structure saves space without sacrificing power or performance, blending seamlessly into any kitchen style.



**LED bulbs**  
2 LED bulbs to easily see what you're cooking.

<b>Size</b>	76
<b>Dimensions (cm)</b> (W x D x H)	75 x 50 x 56-94
<b>Materials</b>	Stainless steel- Black+ Glass frontal
<b>Net weight</b>	14.18(l) -14.64(B)
<b>Noise</b>	59-61 dB
<b>Control</b>	touch slide control
<b>CMH</b>	500
<b>Power</b>	93 W
<b>Voltage</b>	110-127/ 60 Hz
<b>Mounting type</b>	Wall-mounted

### PODs

- 3 Stainless steel filters – clean every 2 months
- Tempered glass.
- 2 activated carbon filters – replace every 3 to 6 months.
- 2 LED lights.
- 3 extraction speeds.
- 2 chimneys.

\*\*\*Some images are for illustrative purposes only.

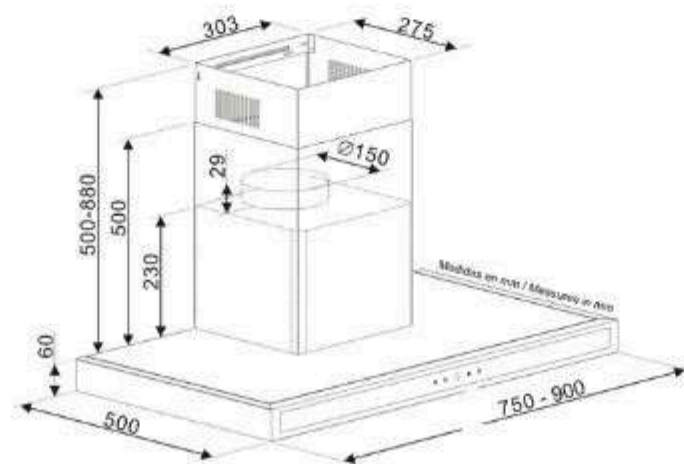
### QUADRATO 90 BLACK | ACERO

**1 YEAR** warranty **DR**

Update



**Installation**  
For optimal and safe performance, it is recommended to install the range hood at a distance of 76 cm (30 inches) above the cooktop. This placement ensures effective ventilation and proper functionality of the extractor.



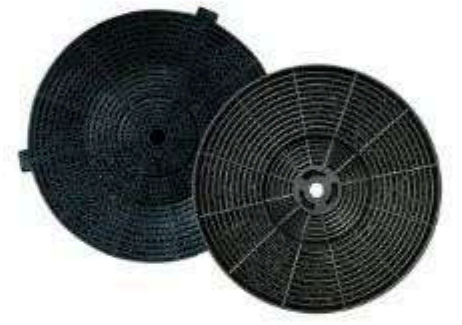
## POD



**Extraction capacity**  
500 CMH

**Clock and programmable sleep timer**  
It allows you to view the time and program the extractor's operating time for up to 1 hour.

**Compact desing**  
Its slim, vertical structure saves space without sacrificing power or performance, blending seamlessly into any kitchen style.



**2 activated carbon filters**  
The activated carbon filter traps and eliminates odors, smoke, and grease with high efficiency.

**Stainless steel filters**  
Exceptional durability, corrosion resistance, and hassle-free cleaning.

**LED bulbs**  
2 LED bulbs to easily see what you're cooking.

## spec.

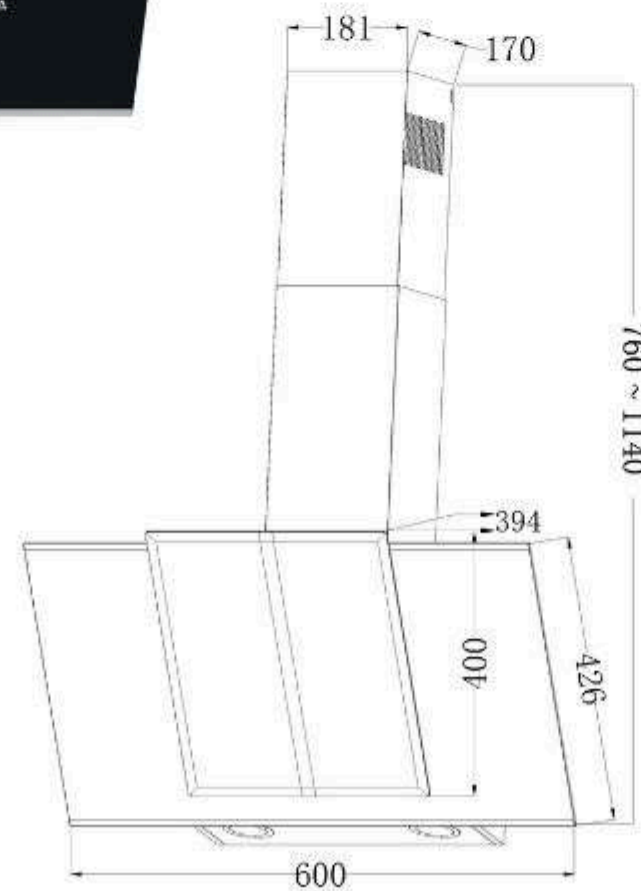
<b>Size</b>	90 cm
<b>Dimensions (cm)</b> <small>(W x D x H)</small>	89.5 x 50 x 56 - 94
<b>Materials</b>	Stainless steel- Black+ Glass
<b>Net weight</b>	15.30 (l) - 15.72 kg(B)
<b>Noise Control</b>	59 - 61 dB
<b>CMH</b>	touch slide control 500
<b>Power</b>	93 W
<b>Voltage</b>	110 - 127/ 60 Hz
<b>Mounting type</b>	Wall-mounted

- PODs**
- 3 Stainless steel filters – clean every 2 months
  - Tempered glass.
  - 2 activated carbon filters – replace every 3 to 6 months.
  - 2 LED lights.
  - 3 extraction speeds.
  - 2 chimneys.

\*\*\*Some images are for illustrative purposes only.

### TRIANGOLO 60

**1 YEAR**  
warranty



#### Installation

For optimal and safe performance, it is recommended to install the range hood at a distance of 76 cm (30 inches) above the cooktop. This placement ensures effective ventilation and proper functionality of the extractor.

#### POD



**Aesthetic black glass design with steel edge**

Modern and elegant, this premium glass hood is designed to be an eye-catching feature in your home.



**Extraction capacity**  
Powerful extraction

650 CMH



**Digital touch panel+Remote control**

Full control from the digital panel or remote—adjust speed, lighting, and timer with ease.



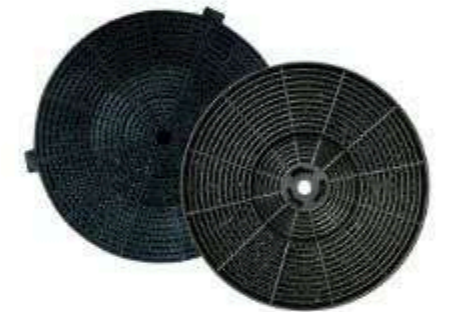
**Programmable Shut- off timer**

No need to worry about turning it off: its 9-minute programmable timer automatically shuts off the unit.



**Aluminium filter**

Durable and easy to maintain, it traps grease and dirt before they reach the motor or airflow system.



**2 activated carbon filters**

The activated carbon filter traps and eliminates odors, smoke, and grease with high efficiency.

#### spec.

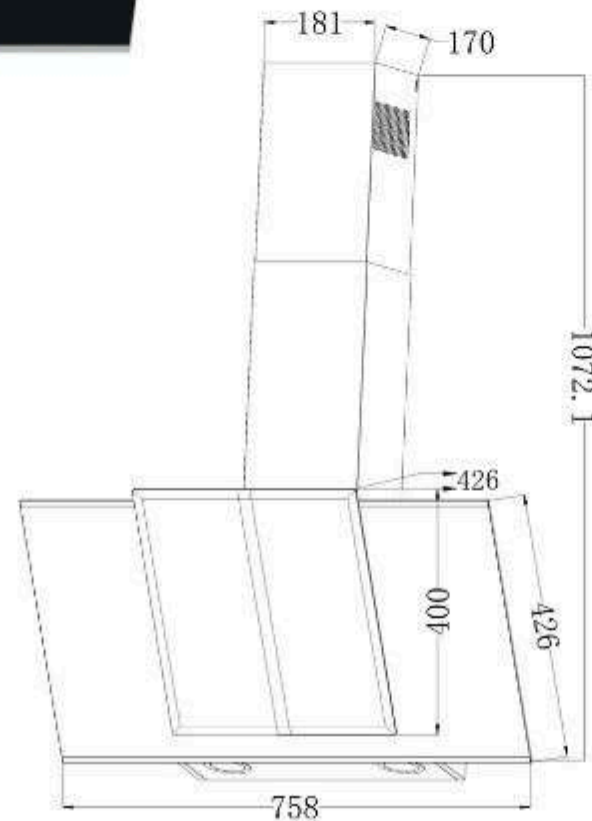
<b>Size</b>	60
<b>Dimensions (cm)</b> (W x D x H)	60 x 39.4 x 76 -114
<b>Materials</b>	Black glass design with steel edge
<b>Net weight</b>	13.4kg
<b>Noise Control</b>	55-60 dB Touch slide control   Remote control
<b>CMH</b>	650
<b>Power</b>	120 W
<b>Voltage</b>	110V/ 60 Hz
<b>Mounting type</b>	Wall-mounted

#### PODs

- 1 Aluminium filter – clean every 2 months.
- 2 activated carbon filters – replace every 3 months.
- 2 LED lights.
- 3 extraction speeds.
- 2 height-adjustable chimneys.
- Quiet extraction.

### TRIANGOLO 76

**1 YEAR**  
warranty



#### Installation

For optimal and safe performance, it is recommended to install the range hood at a distance of 76 cm (30 inches) above the cooktop. This placement ensures effective ventilation and proper functionality of the extractor.

### POD



#### Aesthetic black glass design with steel edge

Modern and elegant, this premium glass hood is designed to be an eye-catching feature in your home.



#### Extraction capacity

Powerful extraction

650 CMH



#### Digital touch panel+Remote control

Full control from the digital panel or remote—adjust speed, lighting, and timer with ease.



#### Programmable Shut- off timer

No need to worry about turning it off: its 9-minute programmable timer automatically shuts off the unit.



#### Aluminium filter

Durable and easy to maintain, it traps grease and dirt before they reach the motor or airflow system.



#### 2 activated carbon filters

The activated carbon filter traps and eliminates odors, smoke, and grease with high efficiency.

### spec.

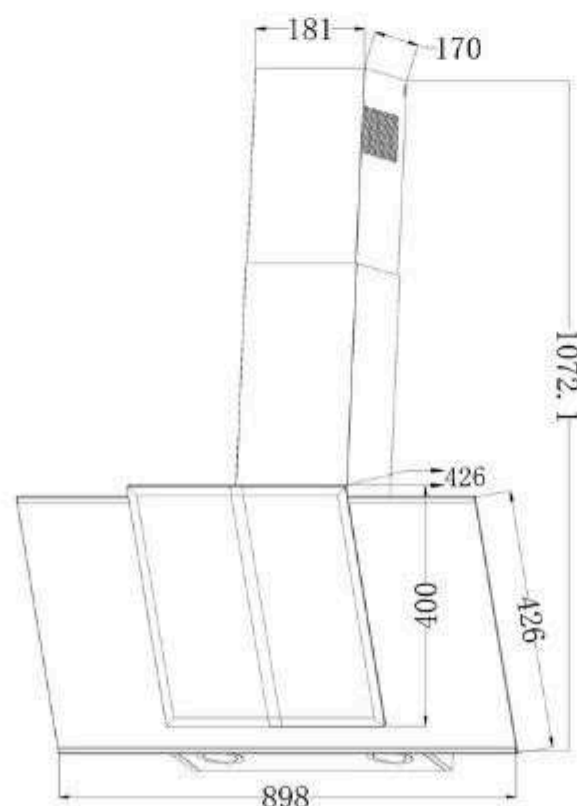
<b>Size</b>	76 cm
<b>Dimensions (cm)</b> <small>(W x D x H)</small>	75.8 x 42.6 x 107.2
<b>Materials</b>	black glass design with steel edge
<b>Net weight</b>	15.0 kg
<b>Noise</b>	55-60 dB
<b>Control</b>	touch slide control   Remote control
<b>CMH</b>	650
<b>Power</b>	120 W
<b>Voltage</b>	110V/ 60 Hz
<b>Mounting type</b>	Wall-mounted

#### PODs

- 1 Aluminium filter – clean every 2 months.
- 2 activated carbon filters – replace every 3 months.
- 2 LED lights.
- 3 extraction speeds.
- 2 height-adjustable chimneys.
- Quiet extraction.

### TRIANGOLO 90

**1 YEAR**  
warranty



#### Installation

For optimal and safe performance, it is recommended to install the range hood at a distance of 76 cm (30 inches) above the cooktop. This placement ensures effective ventilation and proper functionality of the extractor.

### POD



**Aesthetic black glass design with steel edge**

Modern and elegant, this premium glass hood is designed to be an eye-catching feature in your home.



**Extraction capacity**

Powerful extraction  
650 CMH



**Digital touch panel+Remote control**

Full control from the digital panel or remote—adjust speed, lighting, and timer with ease.



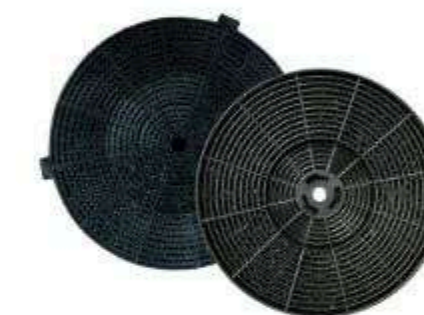
**Programmable Shut- off timer**

No need to worry about turning it off: its 9-minute programmable timer automatically shuts off the unit.



**Aluminium filter**

Durable and easy to maintain, it traps grease and dirt before they reach the motor or airflow system.



**2 activated carbon filters**

The activated carbon filter traps and eliminates odors, smoke, and grease with high efficiency.

### spec.

<b>Size</b>	90 cm
<b>Dimensions (cm)</b> (W x D x H)	89.8 x 42.6 x 107.2
<b>Materials</b>	Black glass design with steel edge
<b>Net weight</b>	15.0 kg
<b>Noise</b>	55-60 dB
<b>Control</b>	Touch slide control   Remote control
<b>CMH</b>	650
<b>Power</b>	120 W
<b>Voltage</b>	110V/ 60 Hz
<b>Mounting type</b>	Wall-mounted

#### PODs

- 1 Aluminium filter – clean every 2 months.
- 2 activated carbon filters – replace every 3 months.
- 2 LED lights.
- 3 extraction speeds.
- 2 height-adjustable chimneys.
- Quiet extraction.

### PIRÁMIDE 90 BLACK

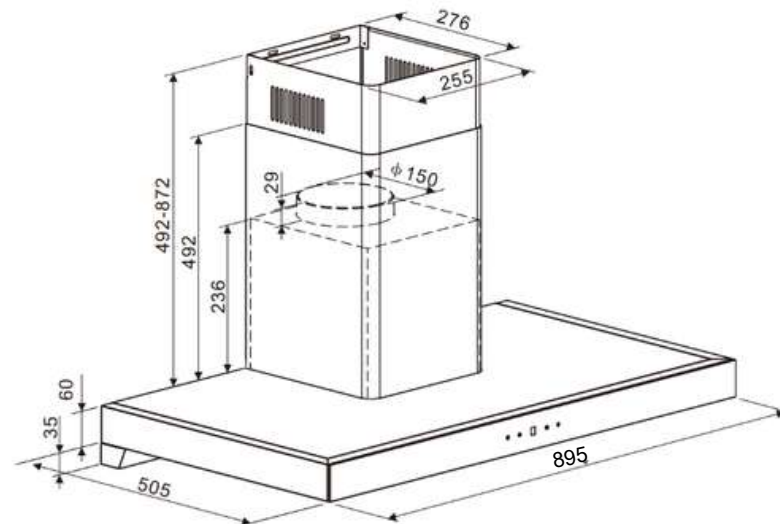
**1 YEAR**  
warranty



POD

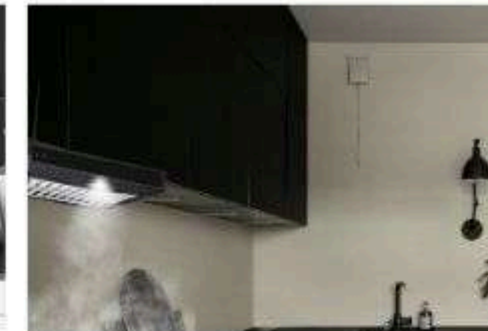
#### Installation

For optimal and safe performance, it is recommended to install the range hood at a distance of 76 cm (30 inches) above the cooktop. This placement ensures effective ventilation and proper functionality of the extractor.



#### Elegant and compact design

Its slim, vertical design saves space without sacrificing power or functionality, blending elegantly into any kitchen.



#### Extraction capacity

500 CMH



#### Clock and programmable sleep timer

It allows you to view the time and program the extractor's operating time for up to 1 hour.



#### Oil collector

Simplifies grease extraction and disposal, reducing the frequency and complexity of hood maintenance.



#### Stainless steel filters

Exceptional durability, corrosion resistance, and hassle-free cleaning.



#### Adjustable height chimney

Versatile, adaptable, efficient, practical.

spec.

**Size**  
**Dimensions (cm)**  
(W x D x H)  
**Materials**  
**Net weight**  
**Noise**  
**Control**  
**CMH**  
**Power**  
**Voltage**  
**Mounting type**

90  
89.5 x 50.5 x 58.7-96.7  
Black painted steel + black front glass  
16.6 kg  
55-60 dB  
touch slide control  
500  
93W  
110 - 127V / 60 Hz  
Wall-mounted

#### PODs

- 2 Stainless steel filters – clean every 2 months
- Quiet extraction
- 1 activated carbon filter – replace every 3 to 6 months
- 2 LED strips
- 3 extraction speeds
- 2 chimneys

### TRAPEZIO 90 BLACK

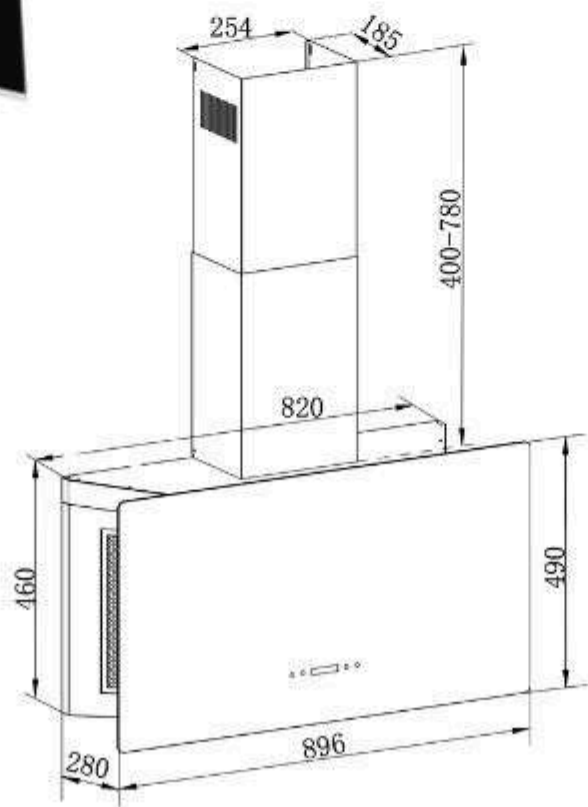
**1 YEAR**  
warranty



#### Installation

For optimal and safe performance, it is recommended to install the range hood at a distance of 76 cm (30 inches) above the cooktop. This placement ensures effective ventilation and proper functionality of the extractor.

Certification  
**CB**



**POD**

**spec.**



#### Elegant design

For a modern kitchen with elegant design, featuring a black glass finish with a Stainless steel edge that will enhance your space.



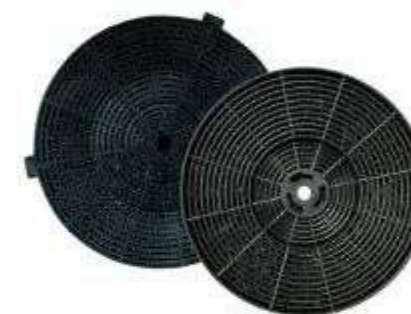
#### 3 Stainless Steel filters + Aluminium Filters

Stainless steel and Aluminium effectively trap grease and residues, preventing buildup inside the range hood.



#### Extraction capacity

Powerful extraction  
650 CMH



#### 2 activated carbon filters

The activated carbon filter traps and eliminates odors, smoke, and grease with high efficiency.



#### Programmable Shut-off timer

Program the unit to turn off automatically anytime up to 1 hour, giving you full control, convenience, and peace of mind.



#### Adjustable height chimney

Versatile, adaptable, efficient, practical.

#### Size

90

#### Dimensions (cm)

89.5 x 28 x 460-1240

#### Materials

Black glass design with Stainless steel edges

#### Net weight

20 kg

#### Noise Control

55-60 dB

#### Control

Touch slide control

#### CMH

650

#### Power

150 W

#### Voltage

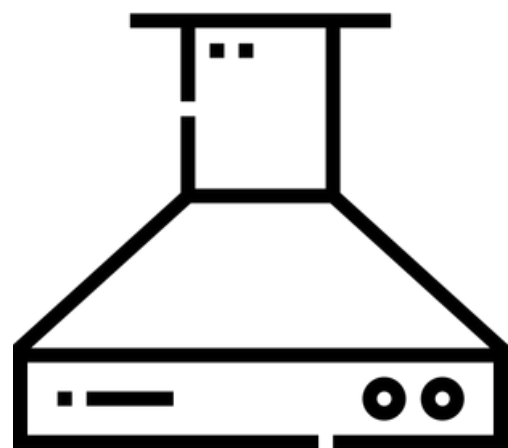
110V / 60 Hz

#### Mounting type

Wall-mounted

#### PODs

- 3 Stainless steel + Aluminium filters – clean every 2 months.
- 2 activated carbon filters – replace every 3 months.
- 2 LED lights.
- 3 extraction speeds.
- 2 chimneys.
- Quiet extraction.



# ISLAND RANGE HOODS

- PRISMA ISLA TOUCH 90
- PRISMA ISLA TOUCH 90 BLACK
- QUADRATO ISLA 76 BLACK
- QUADRATO ISLA 90 BLACK
- QUADRATO ISLA 76 ACERO
- QUADRATO ISLA 90 ACERO
- ARCO ISLA 90
- PENDENTE 90-B

### PRISMA ISLA TOUCH 90 BLACK | ACERO

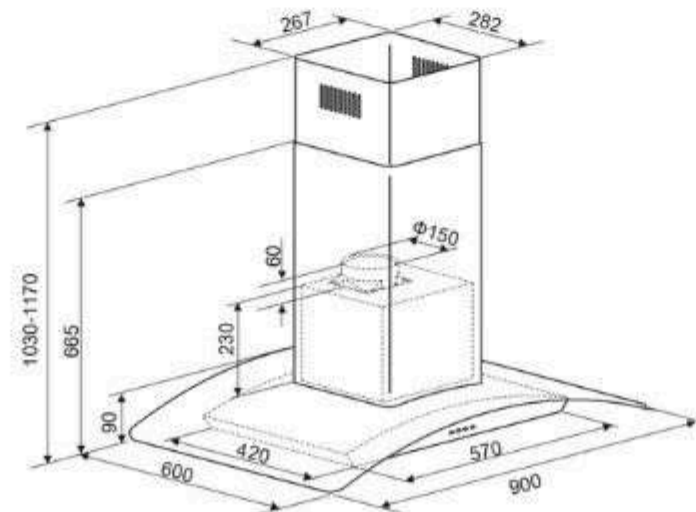
**1 YEAR**  
warranty



#### Installation

For proper range hood installation, a distance of 90 cm (36 inches) between the cooktop and the hood is recommended.

This ensures optimal performance and safe operation of the extractor.



#### POD

#### spec.



#### Extraction capacity

500 CMH



#### Automatic shut-off timer

Set it to turn off automatically at any time up to 1 hour, giving you full control, comfort, and peace of mind.



#### Dual panel

Accessible from any angle, allowing you to easily operate the extractor no matter which side of the island you're on.



#### Active carbon filter

The activated carbon filter traps and eliminates odors, smoke, and grease with high efficiency.



#### Stainless steel filters

Exceptional durability, corrosion resistance, and hassle-free cleaning.



#### Adjustable height chimney

Versatile, adaptable, efficient, practical.

<b>Size</b>	90
<b>Dimensions (cm)</b> (W x D x H)	90 x 60 x 103 -1170
<b>Materials</b>	Steel + Tempered glass
<b>Net weight</b>	18.66 kg
<b>Noise</b>	59-61 dB
<b>Control</b>	Touch slide control
<b>CMH</b>	500
<b>Power</b>	93 W
<b>Voltage</b>	110-127/ 60 Hz
<b>Mounting type</b>	Ceiling-mounted

90  
90 x 60 x 103 -1170  
Steel + Tempered glass  
18.66 kg  
59-61 dB  
Touch slide control  
500  
93 W  
110-127/ 60 Hz  
Ceiling-mounted

#### PODs

- 2 Stainless steel filters – clean every 2 months
- Tempered glass
- 1 activated carbon filter – replace every 3 to 6 months
- 2 LED lights
- 3 extraction speeds
- 2 chimneys

### QUADRATO ISLA 76 BLACK | ACERO

**1 YEAR** warranty **DR**

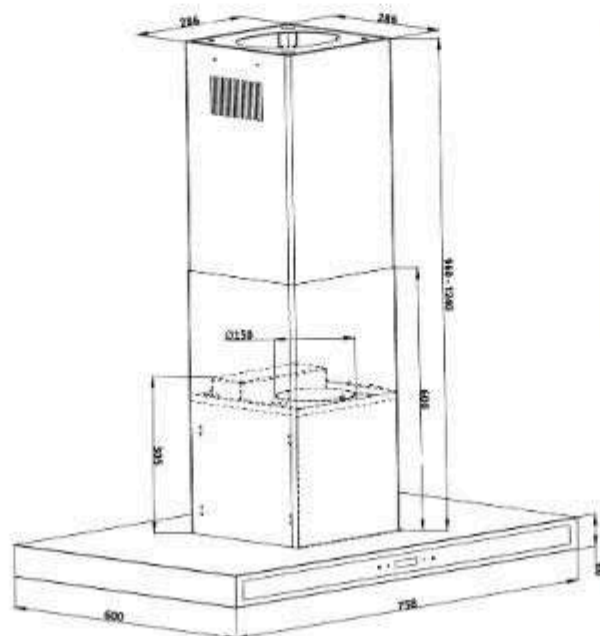


#### Installation

For proper range hood installation, a distance of 90 cm (36 inches) between the cooktop and the hood is recommended.

This ensures optimal performance and safe operation of the extractor.

Certification **CB**



#### POD



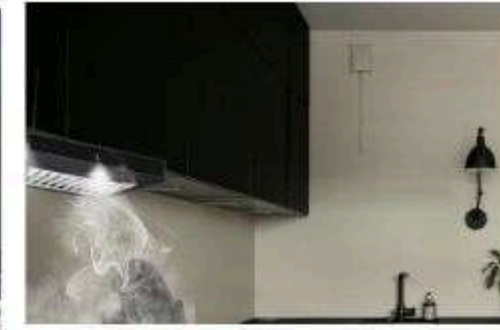
#### Sleek and compact design

The slim profile allows for easy integration into any kitchen style.



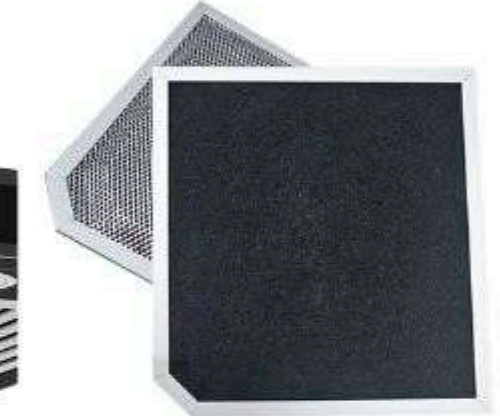
#### Programmable shut-off timer

Set it to turn off automatically at any time up to 1 hour—giving full control, convenience, and peace of mind.



#### Maximum extraction capacity

Powerful ventilation  
650 CMH



#### Active carbon filter

The activated carbon filter traps and eliminates odors, smoke, and grease with high efficiency.



#### Dual panel

Control panel on both sides of the extractor allows easy access from any angle—so you can operate it effortlessly no matter where you are around the island.



#### Stainless steel filters

Exceptional durability, corrosion resistance, and hassle-free cleaning.

#### spec.

<b>Size</b>	76
<b>Dimensions (cm)</b> (W x D x H)	75.8 x 60 x 96 -124
<b>Materials</b>	Black   stainless steel + black glass front
<b>Net weight</b>	21 kg
<b>Noise</b>	55-60 dB
<b>Control</b>	Touch slide control
<b>CMH</b>	650
<b>Power</b>	150 W
<b>Voltage</b>	110 - 127V / 60 Hz
<b>Mounting type</b>	Ceiling-mounted

#### PODs

- 3 Stainless steel filters – clean every 2 months
- Tempered glass.
- 2 activated carbon filters – replace every 3 to 6 months.
- 2 LED lights.
- 3 extraction speeds.
- 2 chimneys.

\*\*\*Some images are for illustrative purposes only.

### QUADRATO ISLA 90 BLACK | ACERO

**1 YEAR** warranty **DR**



#### Installation

For proper range hood installation, a distance of 90 cm (36 inches) between the cooktop and the hood is recommended.

This ensures optimal performance and safe operation of the extractor.

Certification **CB**

#### POD



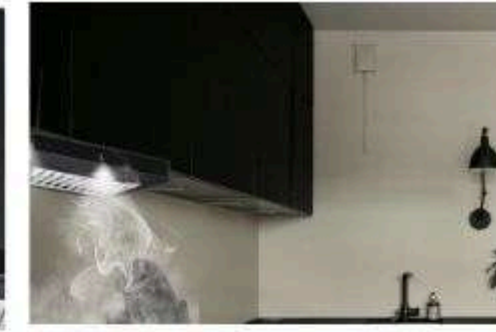
#### Sleek and compact design

The slim profile allows for easy integration into any kitchen style.



#### Programmable shut-off timer

Set it to turn off automatically at any time up to 1 hour—giving full control, convenience, and peace of mind.



#### Maximum extraction capacity

Powerful ventilation  
650 CMH



#### Active carbon filter

The activated carbon filter traps and eliminates odors, smoke, and grease with high efficiency.



#### Dual panel

Control panel on both sides of the extractor allows easy access from any angle—so you can operate it effortlessly no matter where you are around the island.



#### Stainless steel filters

Exceptional durability, corrosion resistance, and hassle-free cleaning.

#### PODs

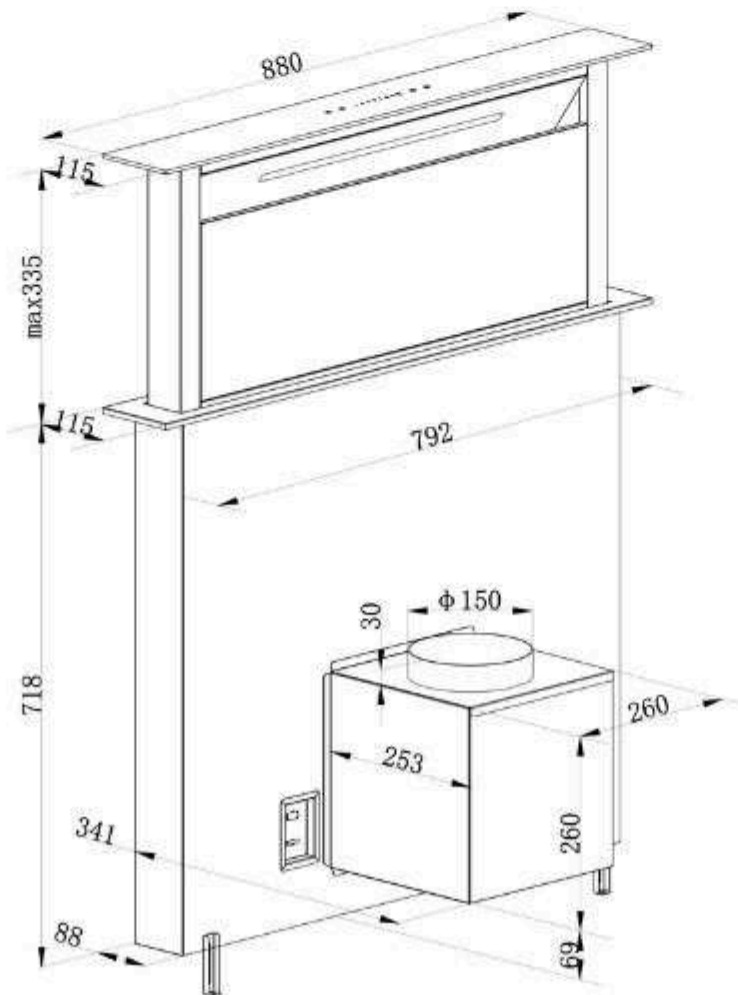
- 3 Stainless steel filters – clean every 2 months
- Tempered glass.
- 2 activated carbon filters – replace every 3 to 6 months.
- 2 LED lights.
- 3 extraction speeds.
- 2 chimneys.

#### spec.

<b>Size</b>	90
<b>Dimensions (cm)</b> (W x D x H)	89.8 x 60 x 96 -124
<b>Materials</b>	Black   stainless steel + black glass
<b>Net weight</b>	24 kg
<b>Noise</b>	55-60 dB
<b>Control</b>	Touch slide control
<b>CMH</b>	650
<b>Power</b>	150 w
<b>Voltage</b>	110 - 127V / 60 Hz
<b>Mounting type</b>	Ceiling-mounted

### ARCO ISLA 90

**1 YEAR** warranty **DR**



#### Installation

Induction or electric cooktops  
For installation, a clearance of 4 cm is recommended when using induction or electric cooktops.

Gas stoves  
For installation on gas stoves, a clearance of 8 cm is recommended.

Certification

**CB**

### POD



#### Minimalist design

Discreet and elegant design. Optimizes your kitchen space without sacrificing efficiency.



#### Automatic extraction surface opening

Upward opening system.



#### Maximum extraction capacity

Powerful ventilation  
700 CMH



#### 8 speed levels

Precisely adjust the ventilation intensity to suit your needs. Greater flexibility to keep your kitchen fresh and odor-free at all times.



#### Aluminium filter + carbon pad

The Aluminium filter captures grease from the air, while the carbon pad neutralizes odors—working together to deliver cleaner, more efficient ventilation.



#### Perfect visibility

LED lighting provides bright, even white light, making it easier to see your food while it cooks.

### spec.

<b>Size</b>	90
<b>Dimensions (cm)</b> (W x D x H)	88 x 11.5 x 71.8 -105.3
<b>Materials</b>	Stainless steel + black glass front
<b>Net weight</b>	29.42 cm
<b>Noise</b>	55-60 dB
<b>Control</b>	Touch slide control
<b>CMH</b>	700
<b>Power</b>	220 W
<b>Voltage</b>	110 - 127V / 60 Hz
<b>Mounting type</b>	Built-in

#### PODs

- 1 Aluminium filter – clean every 2 months
- 1 LED strip
- 40-minute auto shut-down timer.

### PENDENTE 90- B

**1 YEAR**  
warranty



**Remote Control**  
10 mts

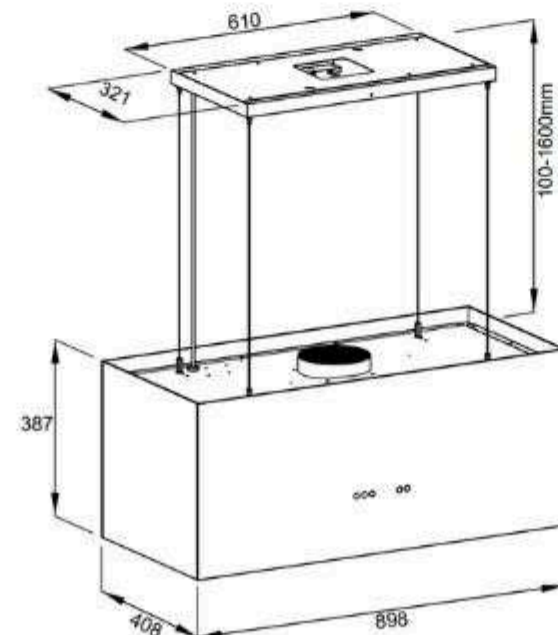


#### Installation

For proper range hood installation, a distance of 90 cm (36 inches) between the cooktop and the hood is recommended.

This ensures optimal performance and safe operation of the extractor.

Certification



### POD



#### Hanging design

Its suspended structure and black tempered glass give your kitchen a modern touch. Ideal for islands,



#### Gesture sensor and remote control

Digital panel with gesture sensor and remote control, allowing contact-free operation and total convenience.



#### Maximum extraction capacity

Powerful ventilation  
650 MCH



#### 3 Speed Levels

Adjust ventilation intensity with precision according to your needs. More flexibility to keep your kitchen fresh and odor-free.



#### 2 aluminum filters + 2 activated carbon filters

Includes 2 washable aluminum filters and 2 round activated carbon filters for optimal air purification.



#### Auto Shut- off (15 min)

The extractor turns off automatically after the set time, ensuring full ventilation without unnecessary energy consumption.

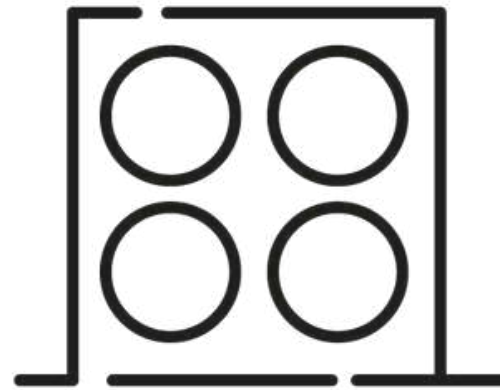
### spec.

<b>Size</b>	90 cm
<b>Dimensions (cm)</b> (W x D x H)	89.8 x 40.8 x 38.7
<b>Materials</b>	Tempered glass
<b>Net weight</b>	32.42 kg
<b>Noise</b>	55-60 dB
<b>Control</b>	Digital Panel  Gesture Control  Remote Control
<b>CMH</b>	650
<b>Power</b>	120 W
<b>Voltage</b>	120V / 60 Hz
<b>Mounting type</b>	Hanging desing

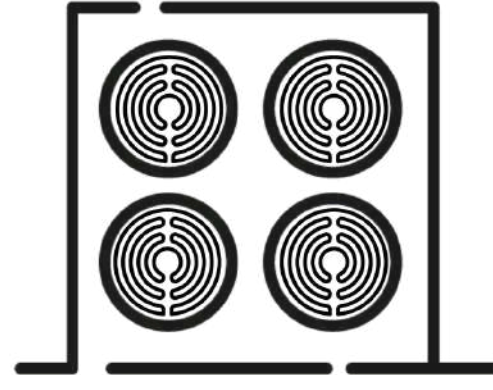
#### PODs

- 1 aluminum filter – clean every 2 months
- 2 activated carbon filters – replace every 3 months
- 2 LED strips.

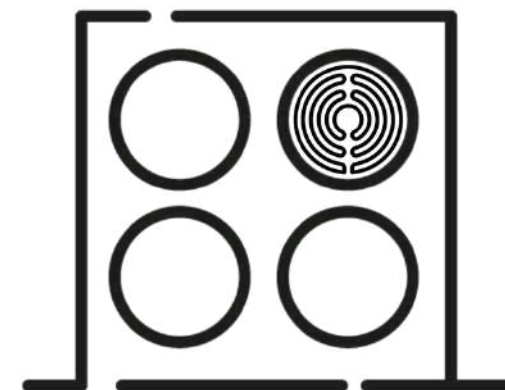
# RANGE



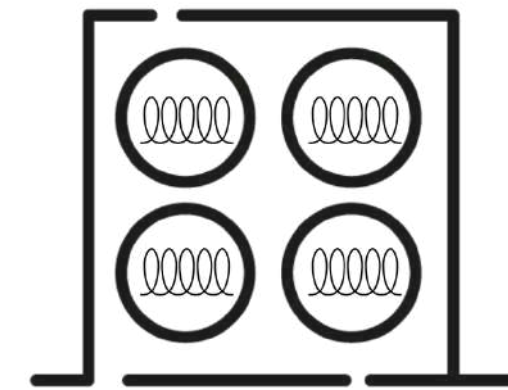
**GAS COOKTOPS**



**ELECTRIC COOKTOPS**



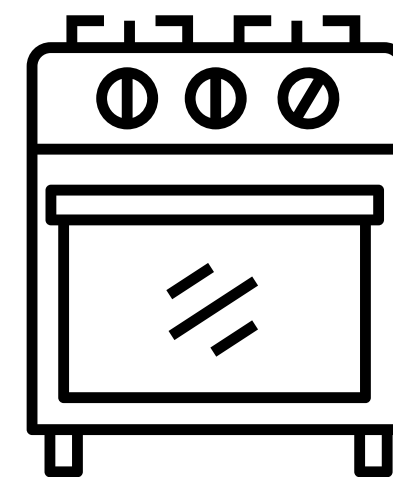
**DUAL COOKTOPS**



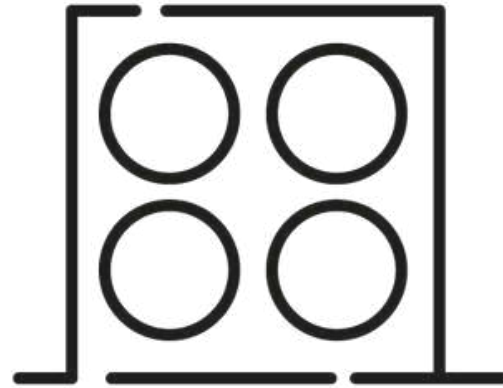
**INDUCTION COOKTOPS**



**TABLETOP COOKTOP**



**STOVES**



# GAS COOKTOPS

- TURÍN 60
- MILÁN 30
- MILÁN 90
- MILÁN 60 PRO
- MILÁN 76 PRO
- TOSCANA 30
- TOSCANA 91
- TOSCANA 60 PRO
- TOSCANA 76 PRO
- FERRARA 60 PRO
- FERRARA 76 PRO
- FERRARA 90 PRO
- LAZIO 60
- LAZIO 76
- LAZIO 90
- ITALIA 60
- ITALIA 76
- ITALIA 90
- POTENZA 76
- POTENZA 90

### TURIN 60

**1 YEAR**  
warranty

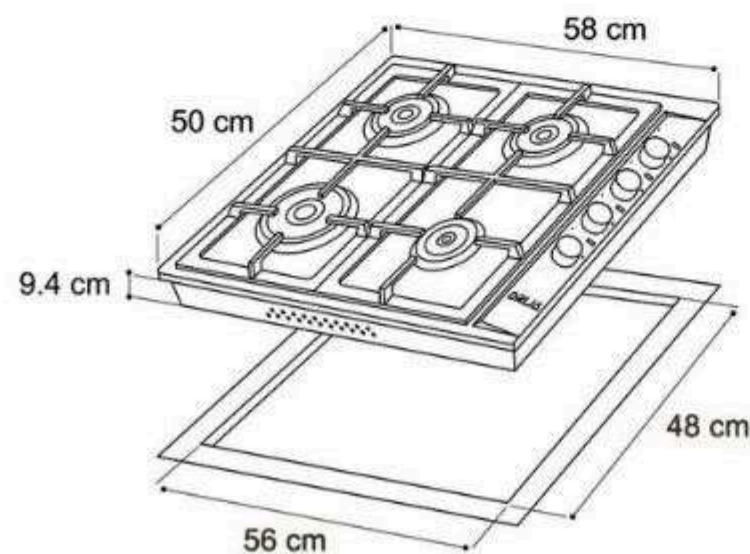
**DR**

6141 BTU

6141 BTU

8189 BTU

3412 BTU



## POD



### Powerful burners

Equipped with special burners to create everything from intense boils to delicate sauces, all at the same time.



### Cast Iron grates

Grates that distribute heat evenly and, being one solid piece, are more resistant to warping, wear, and the test of time.



### Deluxe knobs

Not only do they offer a comfortable grip and precise control of flame intensity, but they also add a touch of sophistication and distinction to your kitchen design.



### Easy to clean

The smooth and durable Stainless steel surface is easy to clean with a damp cloth, keeping your kitchen spotless with minimal effort.



### Safety valves

This intelligent system automatically cuts off the gas supply if the flame is accidentally extinguished (by drafts or spills).



### Compact for easy integration

Its compact size maximizes kitchen space without sacrificing burner functionality.

## spec.

### Size

60 cm

### Dimensions (cm) (W x D x H)

58 × 50 × 9.4

### Materials

201 Stainless steel | Cast Iron grates

### Weight

8.2 kg

### Burners

Drija | Aluminium | 10 years warranty

### Control

knobs

### Gas bags

LPG gas

### Power

23,833 BTU

### Voltage

110-220V/50-60Hz

### Ignition system

Electric

## PODs

- Includes a 4-nozzle conversion kit for natural gas.
- 1 gas code connector.
- 1 gas connector.

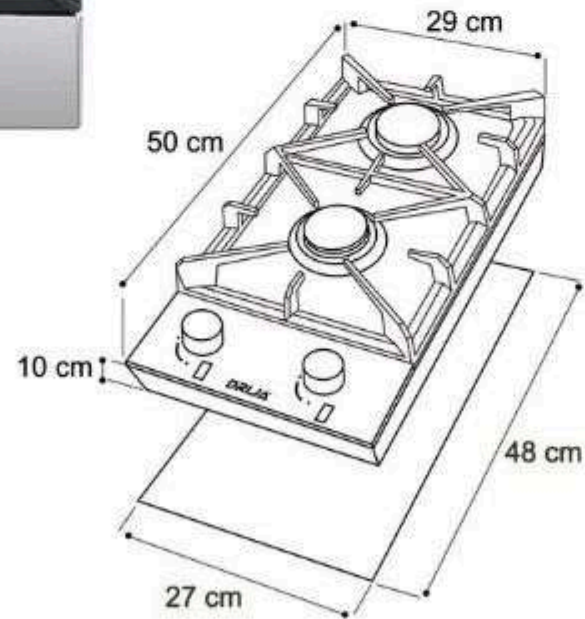
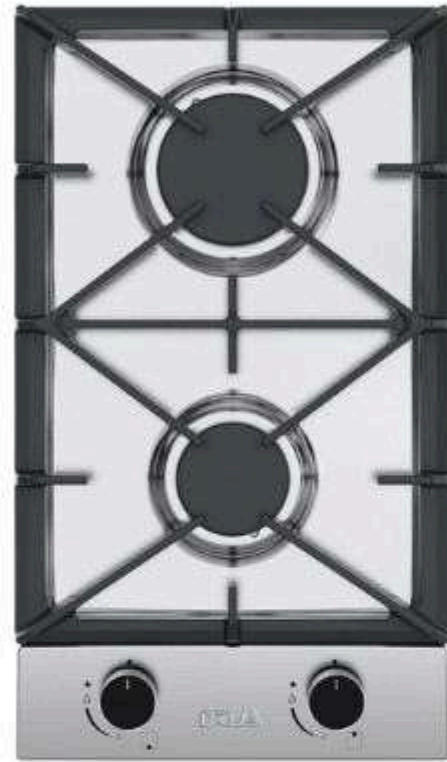
### MILAN 30

**1 YEAR**  
warranty

**DR**

10236 BTU

6141 BTU



## POD



### Compact design

S304 Stainless steel surface provides special functionality for small spaces.



### Cast Iron grates

Grills that distribute heat perfectly and, being a single piece, are more resistant to deformation, wear, and the passage of time.



### Deluxe knobs

Not only do they offer a comfortable grip and precise control of flame intensity, but they also add a touch of sophistication and distinction to your kitchen design.



### 304 Stainless steel

0.6 mm

Not only does it feature a modern and elegant look, but it also offers high durability and easy cleaning.



### SABAF burners and safety valves

Enjoy peace of mind with a 10-year warranty on SABAF® burners, and the security of a valve that shuts off the gas if there's no flame.



### Ideal for small spaces

Compact and functional design with two efficient burners.

## spec.

### Size

30 cm

### Dimensions (cm)

(W x D x H)

29 x 50 x 10

### Materials

304 Stainless steel | Cast Iron grates

### Weight

5.4 kg

### Burners

SABAF | Aluminium | 10 years warranty.

### Control

Knobs

### Gas bags

LPG gas

### Power

16,378 BTU

### Voltage

110-220V/50-60Hz

### Ignition system

Electric

## PODs

- Includes a 4-nozzle conversion kit for natural gas.
- 1 gas code connector.
- 1 gas connector.



### MILAN 60 PRO

**1 YEAR** warranty **DR**

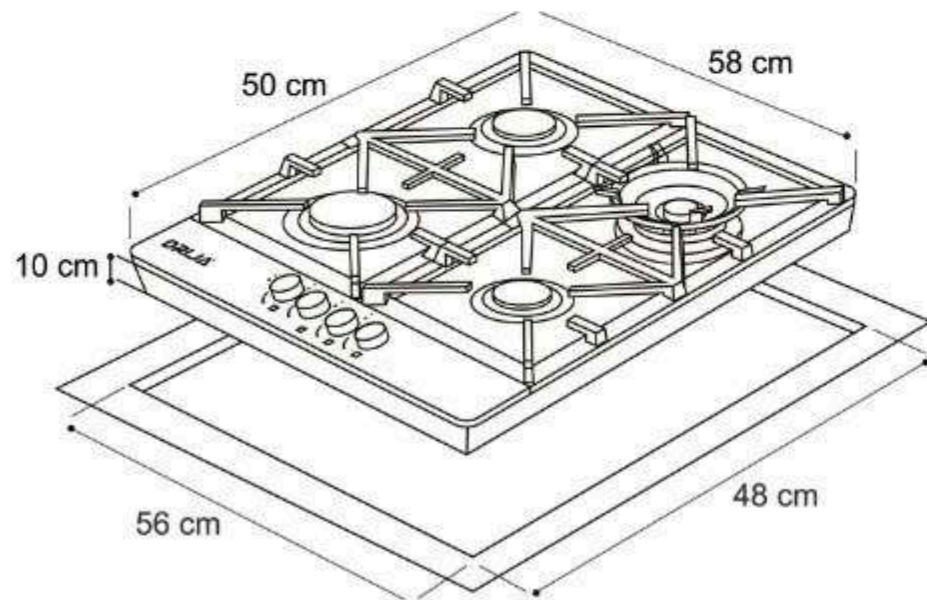
6141 BTU



13648 BTU

6141 BTU

3412 BTU

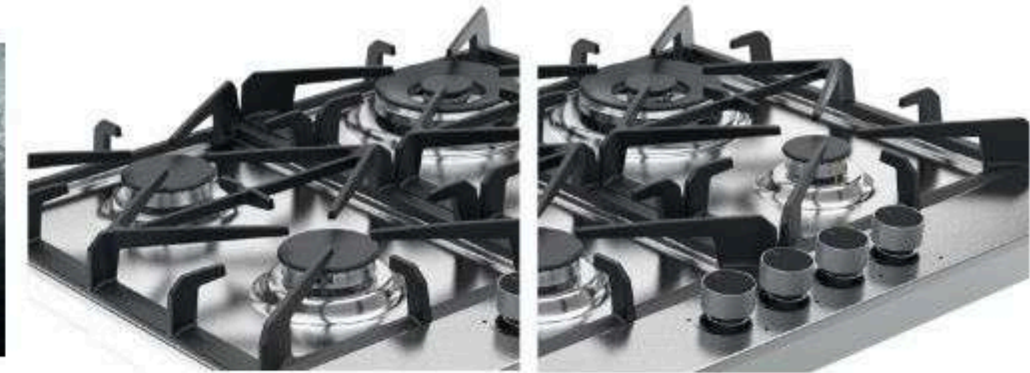


## POD



### Powerful burners

Grills that distribute heat perfectly and stand the test of time.



### Cast Iron grates

Grates that distribute heat evenly and, being one solid piece, are more resistant to warping, wear, and the test of time.

### Deluxe knobs

Not only do they offer a comfortable grip and precise control of flame intensity, but they also add a touch of sophistication and distinction to your kitchen design.



### 304 Stainless steel

0.6 mm

Not only does it look modern and elegant, but it also offers high durability and easy cleaning.



### SABAF burners and safety valves

Enjoy peace of mind with a 10-year warranty on SABAF® burners, and the security of a valve that shuts off the gas if there's no flame.



### Cast iron griddle

Perfectly grills meats, poultry and vegetables, achieving even browning and an irresistible flavor.

## spec.

<b>Size</b>	60 cm
<b>Dimensions (cm)</b> (W x D x H)	58 × 50 × 10
<b>Materials</b>	Stainless steel   Cast Iron grates   Cast Iron Griddle
<b>Weight</b>	10.5 kg
<b>Burners</b>	SABAF   Aluminium   10 years warranty.
<b>Control</b>	Knobs
<b>Gas bags</b>	LPG gas
<b>Power</b>	29,378 BTU
<b>Voltage</b>	110-220V/50-60Hz
<b>Ignition system</b>	Electric

### PODs

- Includes a 4-nozzle conversion kit for natural gas.
- 1 gas code connector.
- 1 gas connector.

**10** AÑOS/YEARS GARANTÍA/WARRANTY EN QUEMADORES / ON BURNERS SABAF



### MILAN 76 PRO

**1 YEAR**  
warranty



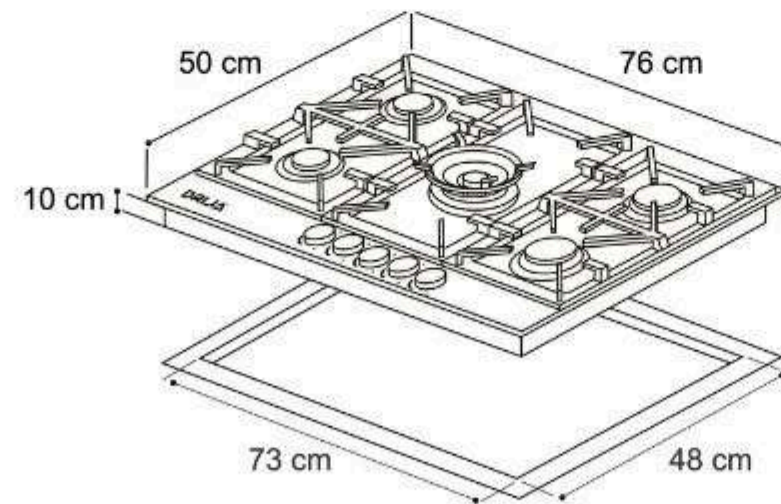
13648 BTU

6141 BTU

10236 BTU

3412 BTU

6141 BTU



## POD



### Powerful burners

Grills that distribute heat perfectly and stand the test of time.



### Cast Iron grates

Grates that distribute heat evenly and, being one solid piece, are more resistant to warping, wear, and the test of time.

### Deluxe knobs

Not only do they offer a comfortable grip and precise control of flame intensity, but they also add a touch of sophistication and distinction to your kitchen design.



### SABAF burners and safety valves

Enjoy peace of mind with a 10-year warranty on SABAF® burners, and the security of a valve that shuts off the gas if there's no flame.



### Concentrated power for fast and even cooking

Superior heating power and more even heat distribution thanks to its multiple flame rings.



### Cast iron griddle

Perfectly grills meats, poultry and vegetables, achieving even browning and an irresistible flavor.

## spec.

### Size

**Dimensions (cm)**  
(W x D x H)

### Materials

### Weight

### Burners

### Control

### Gas bags

### Power

### Voltage

### Ignition system

76 cm

76 x 50 x 10

Stainless steel | Cast Iron grates | Cast Iron Griddle

13.80 kg

SABAF | Aluminium | 10 years warranty.

knobs

LPG gas

39,578 BTU

110-220V/50-60Hz

Electric

### PODs

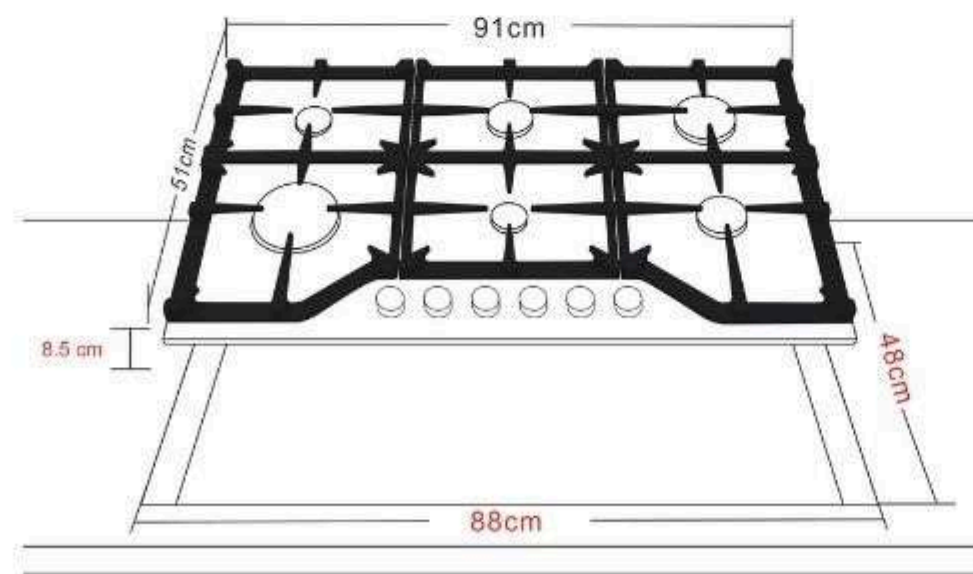
- Includes a 5-nozzle conversion kit for natural gas.
- 1 gas code conector.
- 1 gas connector.



### MILAN 91

**1 YEAR**  
warranty

**DR**



## POD



### Powerful burners

Grills that distribute heat perfectly and stand the test of time.



### Continuous cast iron grates

The continuous cast iron grates provide a sturdy and durable surface, allowing you to move pots and pans safely and effortlessly.



### Deluxe knobs

Not only do they offer a comfortable grip and precise control of flame intensity, but they also add a touch of sophistication and distinction to your kitchen design.



### SABAF burners and safety valves

Enjoy peace of mind with a 10-year warranty on SABAF® burners, and the security of a valve that shuts off the gas if there's no flame.



### Concentrated power for fast and even cooking

Superior heating power and more even heat distribution thanks to its multiple flame rings.



### Cast iron griddle

Perfectly grills meats, poultry and vegetables, achieving even browning and an irresistible flavor.

## spec.

<b>Size</b>	91 cm
<b>Dimensions (cm)</b> (W x D x H)	91 x 51 x 8.5
<b>Materials</b>	Stainless steel   Cast Iron grates   Cast Iron Griddle
<b>Weight</b>	23.8 kg
<b>Burners</b>	SABAF   Aluminium   10 years warranty.
<b>Control</b>	knobs
<b>Gas bags</b>	LPG gas
<b>Power</b>	42,990 BTU
<b>Voltage</b>	110-220V/50-60Hz
<b>Ignition system</b>	Electric

## PODs

- Includes a 6-nozzle conversion kit for natural gas.
- 1 gas code connector.
- 1 gas connector.



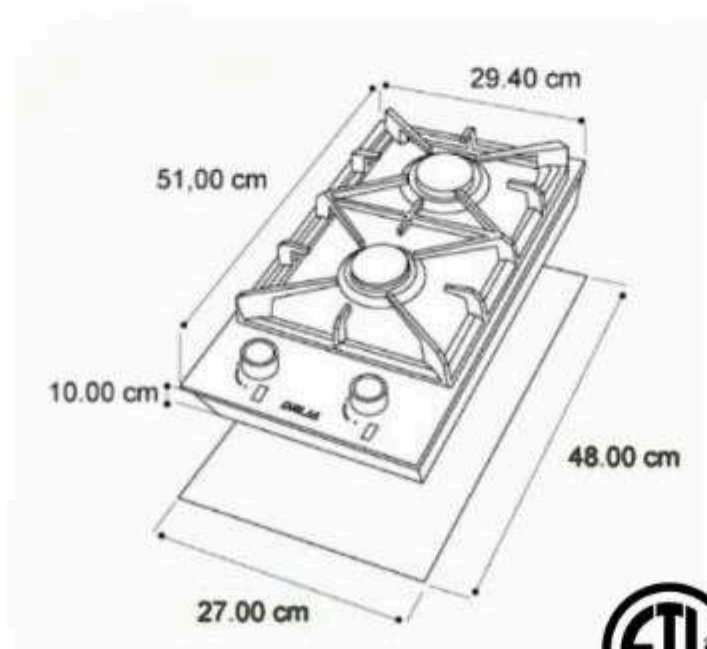
### TOSCANA 30

**1 YEAR** warranty **DR**



10236 BTU

6141 BTU



**10** AÑOS/YEARS GARANTÍA/WARRANTY EN QUEMADORES / ON BURNERS SABAF

## POD



**Compact and elegant design**

Tempered glass surface combines a sleek, modern aesthetic with optimized functionality for small spaces.



**Cast Iron grates**

Grills that distribute heat perfectly and, being a single piece, are more resistant to deformation, wear, and the passage of time.



**Double gas burner for efficient cooking**

Two different gas burner sizes. This cooktop offers versatility for cooking multiple dishes at the same time.



**Easy cleaning: flawless, non-stick surface**

The smooth, non-porous surface of tempered glass is incredibly easy to clean. Spills and splashes wipe away effortlessly with a damp cloth –no stubborn stains left behind.



**SABAF burners and safety valves**

Enjoy peace of mind with a 10-year warranty on SABAF® burners, and the security of a valve that shuts off the gas if there's no flame.



**Integrated Electric ignition for added convenience**

It features an Electric ignition system integrated into the knobs, allowing you to quickly and safely light the burners with just one hand.

## spec.

<b>Size</b>	30 cm
<b>Dimensions (cm)</b> (W x D x H)	29.4 x 51 x 10
<b>Materials</b>	8mm tempered glass   Cast Iron grates
<b>Weight</b>	7.5 kg
<b>Burners</b>	SABAF   Aluminium   10 years warranty.
<b>Control</b>	Knobs
<b>Gas bags</b>	LPG gas
<b>Power</b>	16,377 BTU
<b>Voltage</b>	110-220V/50-60Hz
<b>Ignition system</b>	Electric

### PODs

- Includes a 2-nozzle conversion kit for natural gas.
- 1 gas code conector.
- 1 gas connector.

\*\*\*Some images are for illustrative purposes only.

### TOSCANA 60 PRO

**1 YEAR** warranty **DR**

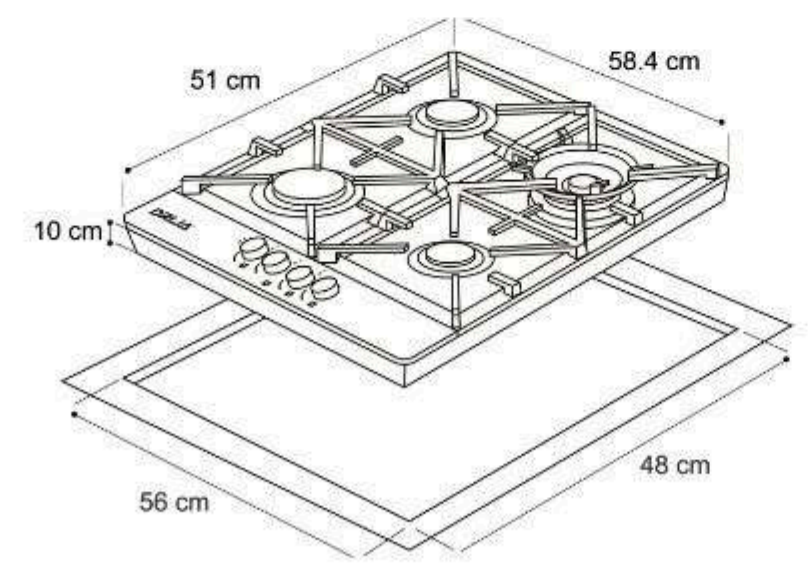


6141 BTU

13648 BTU

6141 BTU

3412 BTU



**10** AÑOS/YEARS GARANTÍA/WARRANTY EN QUEMADORES / ON BURNERS **SABAF**



## POD



### Compact and elegant design

It features sophisticated 8mm thick black tempered glass, providing a touch of modern elegance and durability.



### Tempered glass

In addition to being elegant, it is heat and scratch resistant, offering a durable and functional cooking surface.



### Cast Iron grates

Grills that distribute heat perfectly and, being a single piece, are more resistant to deformation, wear, and the passage of time.



### Easy cleaning: smooth, blemish-free surface

The smooth, non-porous surface of tempered glass makes it very easy to clean. Spills and splashes can be quickly removed with a damp cloth, leaving no stubborn stains.



### SABAF burners and safety valves

Enjoy peace of mind with a 10-year warranty on SABAF® burners, and the security of a valve that shuts off the gas if there's no flame.



### Cast iron griddle

Perfectly grills meats, poultry and vegetables, achieving even browning and an irresistible flavor.

## spec.

<b>Size</b>	60 cm
<b>Dimensions (cm)</b> <small>(W x D x H)</small>	58.4 x 51 x 10
<b>Materials</b>	8mm tempered glass   Cast Iron grates
<b>Weight</b>	14.6 kg
<b>Burners</b>	SABAF   Aluminium   10 years warranty.
<b>Control</b>	Knobs
<b>Gas bags</b>	LPG gas
<b>Power</b>	29,342 BTU
<b>Voltage</b>	110-220V/50-60Hz
<b>Ignition system</b>	Electric

### PODs

- Includes a 4-nozzle conversion kit for natural gas.
- 1 gas code conector.
- 1 gas connector.

\*\*\*Some images are for illustrative purposes only.

### TOSCANA 76 PRO

**1 YEAR**  
warranty

DR

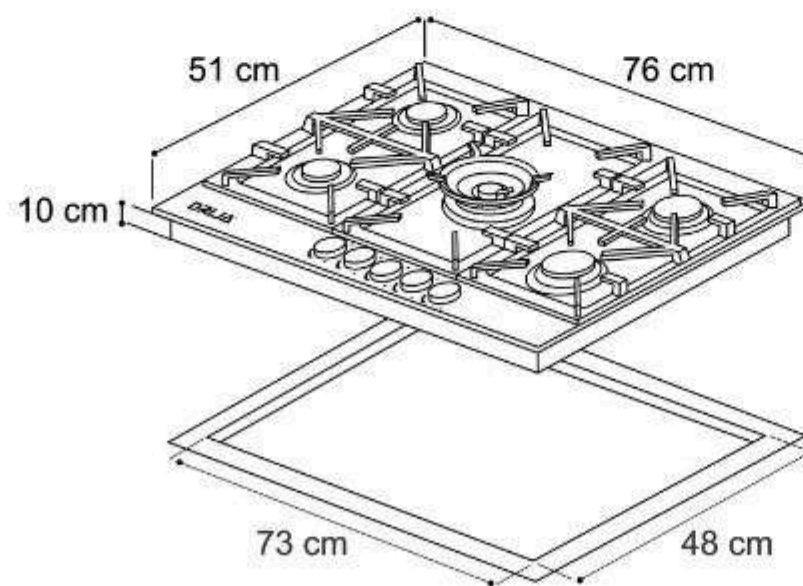
13500 BTU

6141 BTU

10236 BTU

3412 BTU

6141 BTU



**10** AÑOS/YEARS  
GARANTÍA/WARRANTY  
EN QUEMADORES / ON BURNERS  
SABAF



## POD



### Compact and elegant design

It features sophisticated 8mm thick black tempered glass, providing a touch of modern elegance and durability.



### Tempered glass

In addition to being elegant, it is heat and scratch resistant, offering a durable and functional cooking surface.



### Cast Iron grates

Grills that distribute heat perfectly and, being a single piece, are more resistant to deformation, wear, and the passage of time.



### Easy cleaning: smooth, blemish-free surface

The smooth, non-porous surface of tempered glass makes it very easy to clean. Spills and splashes can be quickly removed with a damp cloth, leaving no stubborn stains.



### SABAF burners and safety valves

Enjoy peace of mind with a 10-year warranty on SABAF® burners, and the security of a valve that shuts off the gas if there's no flame.



### Cast iron griddle

Perfectly grills meats, poultry and vegetables, achieving even browning and an irresistible flavor.

## spec.

### Size

**Dimensions (cm)**  
(W x D x H)

### Materials

### Weight

### Burners

### Control

### Gas bags

### Power

### Voltage

### Ignition system

76 cm

76 x 51 x 10

8mm tempered glass | Cast Iron

14.6 kg

SABAF | Aluminium | 10 years warranty.

Knobs

LPG gas

39,578 BTU

110-220V/50-60Hz

Electric

## PODs

- Includes a 5 - nozzle conversion kit for natural gas.
- 1 gas code conector.
- 1 gas connector.

### TOSCANA 91

**1 YEAR**  
warranty

**DR**

6141 BTU

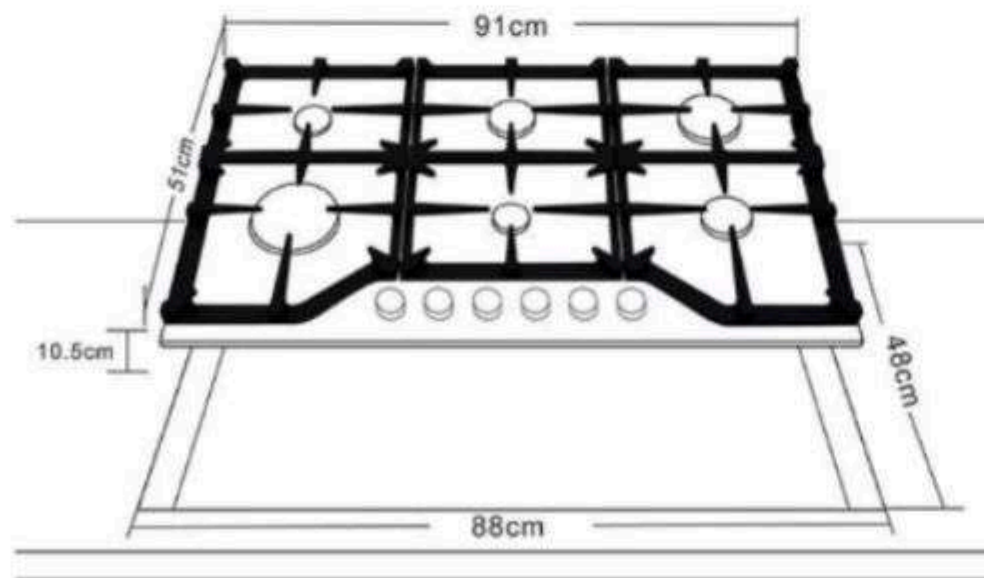
3412 BTU

10236 BTU

13648 BTU

6141 BTU

3412 BTU



## POD



### Compact and elegant design

It features sophisticated 8mm thick black tempered glass, providing a touch of modern elegance and durability.



### Tempered glass

In addition to being elegant, it is heat and scratch resistant, offering a durable and functional cooking surface.



### Continuous cast iron grates

The continuous cast iron grates provide a sturdy and durable surface, allowing you to move pots and pans safely and effortlessly.



### Easy cleaning: smooth, blemish-free surface

The smooth, non-porous surface of tempered glass makes it very easy to clean. Spills and splashes can be quickly removed with a damp cloth, leaving no stubborn stains.



### SABAF burners and safety valves

Enjoy peace of mind with a 10-year warranty on SABAF® burners, and the security of a valve that shuts off the gas if there's no flame.



### Cast iron griddle

Perfectly grills meats, poultry and vegetables, achieving even browning and an irresistible flavor.

## spec.

### Size

91 cm

### Dimensions (cm) (W x D x H)

91 x 51 x 8.5

### Materials

8mm tempered glass surface | cast iron grates

### Weight

14.6 kg

### Burners

SABAF | Aluminium | 10 years warranty.

### Control

Knobs

### Gas bags

LPG gas

### Power

42,990 BTU

### Voltage

110-220V/50-60Hz

### Ignition system

Electric

## PODs

- Includes a 6-nozzle conversion kit for natural gas.
- 1 gas code connector.
- 1 gas connector.

**10** AÑOS/YEARS  
GARANTÍA/WARRANTY  
EN QUEMADORES / ON BURNERS  
SABAF



### FERRARA 60 PRO

**1 YEAR**  
warranty

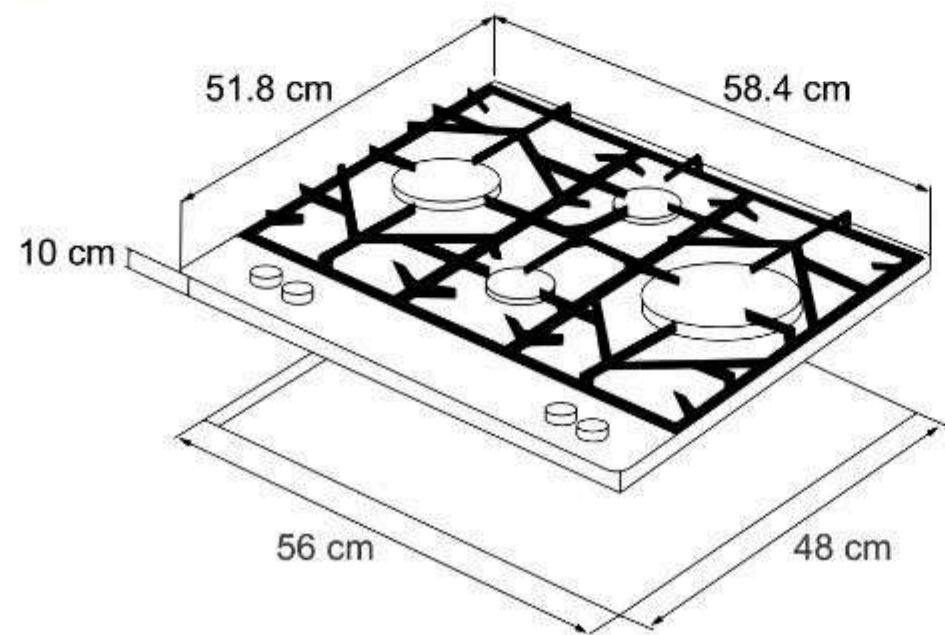


8189 BTU



11601 BTU

3412 BTU



### POD



#### Modern desing

The brushed Stainless steel surface is elegant and easy to clean, while the matte black cast iron grates add a solid, industrial touch.



#### Tempered glass

In addition to being elegant, it is heat and scratch resistant, offering a durable and functional cooking surface.



#### Deluxe knobs

Not only do they offer a comfortable grip and precise control of flame intensity, but they also add a touch of sophistication and distinction to your kitchen design.



#### Safety valves

This intelligent system automatically cuts off the gas supply if the flame is accidentally extinguished (by drafts or spills).



#### Concentrated power for fast, even cooking

Superior heating power and more even heat distribution thanks to its multiple flame rings.



#### Cast iron griddle

Perfectly grills meats, poultry and vegetables, achieving even browning and an irresistible flavor.

### spec.

<b>Size</b>	60 cm
<b>Dimensions (cm)</b> <small>(W x D x H)</small>	58.4 x 51.8 x 10
<b>Materials</b>	8mm tempered glass   304 Stainless steel   Cast iron grate.
<b>Weight</b>	14.8 kg
<b>Burners</b>	Drija   Aluminium   10 years warranty
<b>Control</b>	Knobs
<b>Gas bags</b>	LPG gas
<b>Power</b>	29,343 BTU
<b>Voltage</b>	110-220V/50-60Hz
<b>Ignition system</b>	Electric

### PODs

- Includes a 4-nozzle conversion kit for natural gas.
- 1 gas code conector.
- 1 gas connector.

### FERRARA 76 PRO

**1 YEAR** warranty **DR**

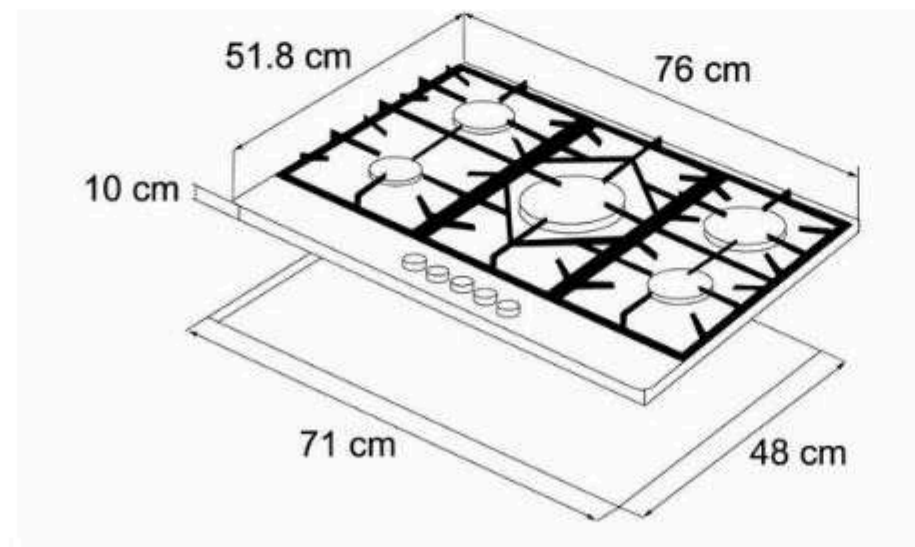
11601 BTU

6141 BTU

8189 BTU

3412 BTU

6141 BTU



## POD



### Modern desing

The brushed Stainless steel surface is elegant and easy to clean, while the matte black cast iron grates add a solid, industrial touch.



### Tempered glass

In addition to being elegant, it is heat and scratch resistant, offering a durable and functional cooking surface.



### Deluxe knobs

Not only do they offer a comfortable grip and precise control of flame intensity, but they also add a touch of sophistication and distinction to your kitchen design.



### Safety valves

This intelligent system automatically cuts off the gas supply if the flame is accidentally extinguished (by drafts or spills).



### Concentrated power for fast, even cooking

Superior heating power and more even heat distribution thanks to its multiple flame rings.



### Cast iron griddle

Perfectly grills meats, poultry and vegetables, achieving even browning and an irresistible flavor.

## spec.

<b>Size</b>	76 cm
<b>Dimensions (cm)</b> (W x D x H)	76 x 51.8 x 10
<b>Materials</b>	8mm tempered glass   304 Stainless steel   Cast iron grate.
<b>Weight</b>	18.7 kg
<b>Burners</b>	Drija   Aluminium   10 years warranty
<b>Control</b>	Knobs
<b>Gas bags</b>	LPG gas
<b>Power</b>	35,484 BTU
<b>Voltage</b>	110-220V/50-60Hz
<b>Ignition system</b>	Electric

## PODs

- Includes a 5-nozzle conversion kit for natural gas.
- 1 gas connector elbow.
- 1 gas connector.
- Continuous cast iron grates.



### FERRARA 90 PRO

**1 YEAR** warranty **DR**

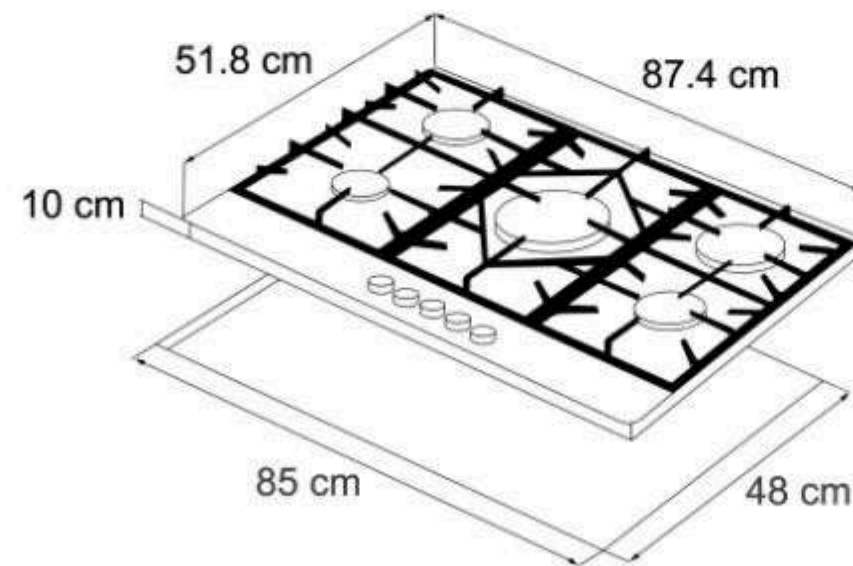
11601 BTU

8189 BTU

6141 BTU

3412 BTU

6141 BTU



### POD



#### Modern desing

The brushed Stainless steel surface is elegant and easy to clean, while the matte black cast iron grates add a solid, industrial touch.



#### Tempered glass

In addition to being elegant, it is heat and scratch resistant, offering a durable and functional cooking surface.



#### Deluxe knobs

Not only do they offer a comfortable grip and precise control of flame intensity, but they also add a touch of sophistication and distinction to your kitchen design.



#### Safety valves

This intelligent system automatically cuts off the gas supply if the flame is accidentally extinguished (by drafts or spills).



#### Concentrated power for fast, even cooking

Superior heating power and more even heat distribution thanks to its multiple flame rings.



#### Cast iron griddle

Perfectly grills meats, poultry and vegetables, achieving even browning and an irresistible flavor.

### spec.

<b>Size</b>	76 cm
<b>Dimensions (cm)</b> <small>(W x D x H)</small>	87.4 x 51.8 x 10
<b>Materials</b>	8mm tempered glass   304 Stainless steel   Cast iron grate.
<b>Weight</b>	21.1 kg
<b>Burners</b>	Drija   Aluminium   10 years warranty
<b>Control</b>	Knobs
<b>Gas bags</b>	LPG gas
<b>Power</b>	35,484 BTU
<b>Voltage</b>	110-220V/50-60Hz
<b>Ignition system</b>	Electric

### PODs

- Includes a 5-nozzle conversion kit for natural gas.
- 1 gas connector elbow.
- 1 gas connector.
- Continuous cast iron grates.



### LAZIO 60

**1 YEAR**  
warranty



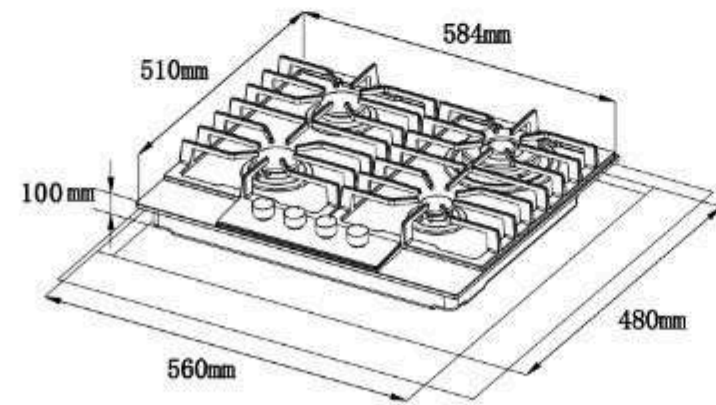
6141 BTU

6141 BTU



13648 BTU

3412 BTU



## POD



### Bold design with heavy-duty grates

The design is both sturdy and elegant, featuring a bright stainless steel surface that adds a professional look. The matte black cast iron grates create contrast and highlight its solid build.



### Continuous cast iron grates

The continuous cast iron grates provide a sturdy and durable surface, allowing you to move pots and pans safely and effortlessly.



### Deluxe knobs

Not only do they offer a comfortable grip and precise control of flame intensity, but they also add a touch of sophistication and distinction to your kitchen design.



### Safety valves

This intelligent system automatically cuts off the gas supply if the flame is accidentally extinguished (by drafts or spills).



### Concentrated power for fast, even cooking

Superior heating power and more even heat distribution thanks to its multiple flame rings.



### Cast iron griddle

Perfectly grills meats, poultry and vegetables, achieving even browning and an irresistible flavor.

## spec.

### Size

60 cm

### Dimensions (cm)

58.4 x 51 x 10

(W x D x H)

### Materials

0.8 mm 304 Stainless steel | Decorative tempered glass panel

### Weight

11.9 kg

### Burners

SABAF copper alloy | 10-year warranty.

### Control

Knobs

### Gas bags

LPG gas

### Power

29,344 BTU | 8.6 kw

### Voltage

110-220V/50-60Hz

### Ignition system

Electric

## PODs

- Includes a 4-nozzle conversion kit for natural gas.
- 1 gas code connector.
- 1 gas connector.



### LAZIO 76

**1 YEAR**  
warranty

**DR**

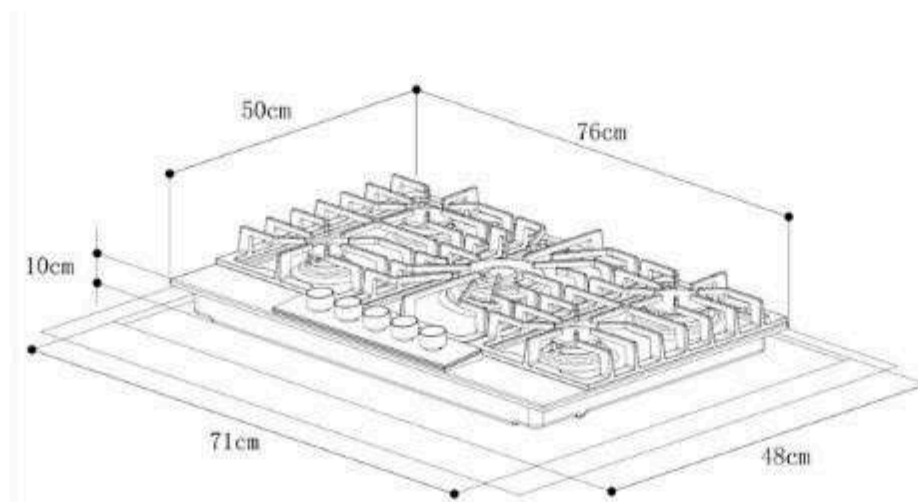
6141 BTU

3412 BTU



10236 BTU

6141 BTU



**10** AÑOS/YEARS  
GARANTÍA/WARRANTY  
EN QUEMADORES / ON BURNERS  
SABAF

## POD



### Bold design with heavy-duty grates

The design is both sturdy and elegant, featuring a bright stainless steel surface that adds a professional look. The matte black cast iron grates create contrast and highlight its solid build.



### Continuous cast iron grates

The continuous cast iron grates provide a sturdy and durable surface, allowing you to move pots and pans safely and effortlessly.



### Deluxe knobs

Not only do they offer a comfortable grip and precise control of flame intensity, but they also add a touch of sophistication and distinction to your kitchen design.



### Safety valves

This intelligent system automatically cuts off the gas supply if the flame is accidentally extinguished (by drafts or spills).



### Concentrated power for fast, even cooking

Superior heating power and more even heat distribution thanks to its multiple flame rings.



### Cast iron griddle

Perfectly grills meats, poultry and vegetables, achieving even browning and an irresistible flavor.

## spec.

### Size

### Dimensions (cm)

(W x D x H)

### Materials

### Weight

### Burners

### Control

### Gas bags

### Power

### Voltage

### Ignition system

76 cm

76 x 50 x 10

0.8 mm 304 Stainless steel |  
Decorative tempered glass panel

17.1 kg

SABAF copper alloy | 10-year  
warranty.

Knobs

LPG gas

39,578 BTU

110-220V/50-60Hz

Electric

## PODs

- Includes a 5-nozzle conversion kit for natural gas.
- 1 gas code conector.
- 1 gas connector.

### LAZIO 90

**1 YEAR**  
warranty



13648 BTU

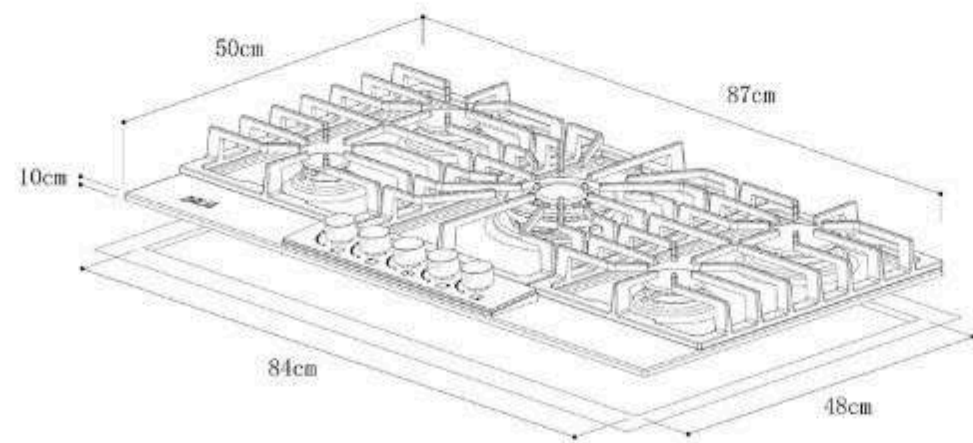
6141 BTU

3412 BTU



10236 BTU

6141 BTU



## POD



### Bold design with heavy-duty grates

The design is both sturdy and elegant, featuring a bright stainless steel surface that adds a professional look. The matte black cast iron grates create contrast and highlight its solid build.



### Continuous cast iron grates

The continuous cast iron grates provide a sturdy and durable surface, allowing you to move pots and pans safely and effortlessly.



### Deluxe knobs

Not only do they offer a comfortable grip and precise control of flame intensity, but they also add a touch of sophistication and distinction to your kitchen design.



### Safety valves

This intelligent system automatically cuts off the gas supply if the flame is accidentally extinguished (by drafts or spills).



### Concentrated power for fast, even cooking

Superior heating power and more even heat distribution thanks to its multiple flame rings.



### Cast iron griddle

Perfectly grills meats, poultry and vegetables, achieving even browning and an irresistible flavor.

## spec.

<b>Size</b>	90 cm
<b>Dimensions (cm)</b> (W x D x H)	87 x 50 x 10
<b>Materials</b>	0.8 mm 304 Stainless steel   Decorative tempered glass panel
<b>Weight</b>	18.1 kg
<b>Burners</b>	SABAF copper alloy   10-year warranty.
<b>Control</b>	Knobs
<b>Gas bags</b>	LPG gas
<b>Power</b>	39,578 BTU
<b>Voltage</b>	110-220V/50-60Hz
<b>Ignition system</b>	Electric

### PODs

- Includes a 5-nozzle conversion kit for natural gas.
- 1 gas code connector.
- 1 gas connector.



### ITALIA 60

**1 YEAR**  
warranty

**DR**

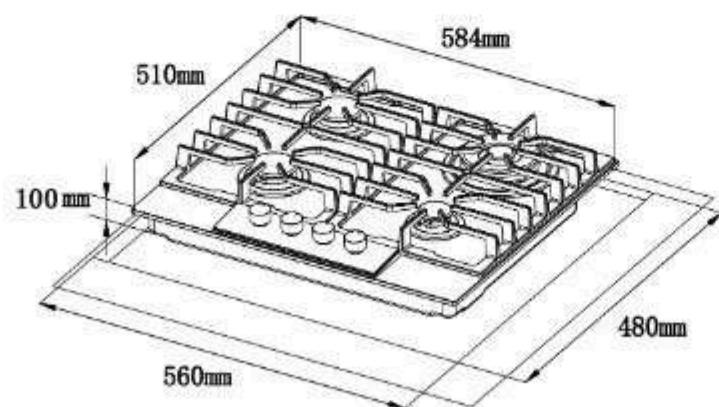
6141 BTU

6141 BTU



13648 BTU

3412 BTU



## POD

## spec.



### Matte Black glass

Featuring a sleek matte black tempered glass surface, it adds a modern and understated touch to your kitchen, with a smooth texture that creates a warmer, more inviting atmosphere.



### Power and efficiency

SABAF® copper alloy burners with a wide power range for all types of cooking. With 60% efficiency, they deliver high performance and energy savings.



### Easy Wipe

The surface stays spotless with just one swipe. Thanks to the matte glass, liquids don't spread, and a single motion keeps everything clean.



### More scratch resistant

Matte glass surface that is highly scratch-resistant and features anti-fingerprint technology – the perfect combination of style and durability.



### Safety valves

Enjoy total peace of mind with a safety valve that automatically cuts off the gas flow if the flame goes out—protecting your home and giving you maximum confidence every time you cook.



### Cast iron griddle

Perfectly grills meats, poultry and vegetables, achieving even browning and an irresistible flavor.

### Size

60 cm

### Dimensions (cm)

(W x D x H)

58.4 x 51 x 10

### Materials

8mm matte black tempered glass

### Weight

16.2 kg

### Burners

SABAF copper alloy | 10-year warranty.

### Control

Knobs

### Gas bags

LPG gas

### Power

29,344 BTU | 8.6 kw

### Voltage

110-220V/50-60Hz

### Ignition system

Electric

### PODs

- Includes a 5-nozzle conversion kit for natural gas.
- 1 gas code connector.
- 1 gas connector.

### ITALIA 76

**1 YEAR**  
warranty

**DR**

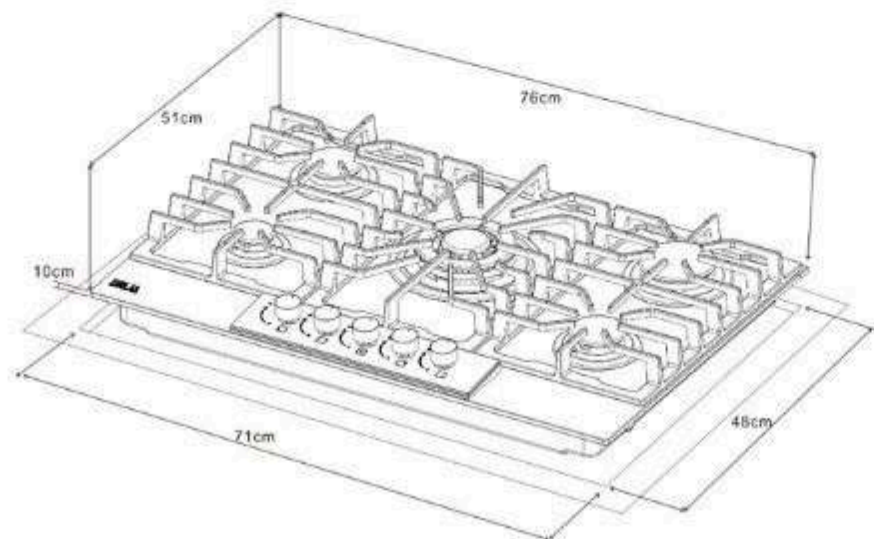
13648 BTU

6141 BTU

10236 BTU

3412 BTU

6141 BTU



## POD



### Matte Black glass

Featuring a sleek matte black tempered glass surface, it adds a modern and understated touch to your kitchen, with a smooth texture that creates a warmer, more inviting atmosphere.



### Power and efficiency

SABAF® copper alloy burners with a wide power range for all types of cooking. With 60% efficiency, they deliver high performance and energy savings.



### Easy Wipe

The surface stays spotless with just one swipe. Thanks to the matte glass, liquids don't spread, and a single motion keeps everything clean.



### More scratch resistant

Matte glass surface that is highly scratch-resistant and features anti-fingerprint technology – the perfect combination of style and durability.



### Safety valves

Enjoy total peace of mind with a safety valve that automatically cuts off the gas flow if the flame goes out – protecting your home and giving you maximum confidence every time you cook.



### Cast iron griddle

Perfectly grills meats, poultry and vegetables, achieving even browning and an irresistible flavor.

## spec.

<b>Size</b>	76 cm
<b>Dimensions (cm)</b> (W x D x H)	76 x 51 x 10
<b>Materials</b>	8mm matte black tempered glass
<b>Weight</b>	23 kg
<b>Burners</b>	SABAF copper alloy   10-year warranty.
<b>Control</b>	Knobs
<b>Gas bags</b>	LPG gas
<b>Power</b>	39,578 BTU
<b>Voltage</b>	110-220V/50-60Hz
<b>Ignition system</b>	Electric

### PODs

- Includes a 5-nozzle conversion kit for natural gas.
- 1 gas code connector.
- 1 gas connector.

**10** AÑOS/YEARS  
GARANTÍA/WARRANTY  
EN QUEMADORES / ON BURNERS  
SABAF

### ITALIA 90

**1 YEAR**  
warranty



13648 BTU

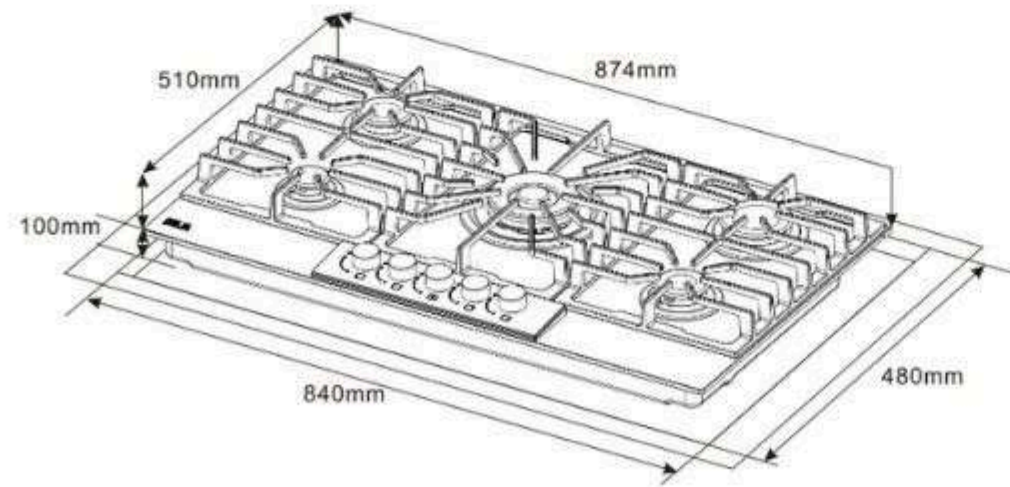
6141 BTU

3412 BTU



10236 BTU

6141 BTU



## POD



### Matte black glass

Featuring a sleek matte black tempered glass surface, it adds a modern and understated touch to your kitchen, with a smooth texture that creates a warmer, more inviting atmosphere.



### Power and efficiency

SABAF® copper alloy burners with a wide power range for all types of cooking. With 60% efficiency, they deliver high performance and energy savings.



### Easy Wipe

The surface stays spotless with just one swipe. Thanks to the matte glass, liquids don't spread, and a single motion keeps everything clean.



### More scratch resistant

Matte glass surface that is highly scratch-resistant and features anti-fingerprint technology – the perfect combination of style and durability.



### Safety valves

Enjoy total peace of mind with a safety valve that automatically cuts off the gas flow if the flame goes out – protecting your home and giving you maximum confidence every time you cook.



### Cast iron griddle

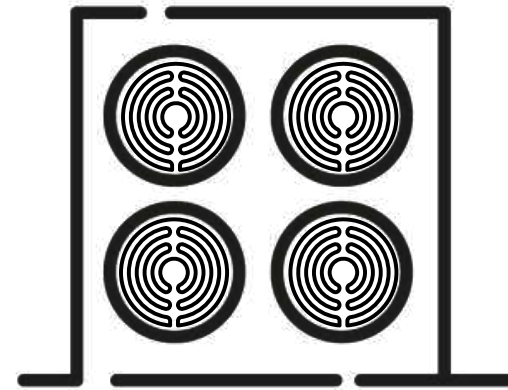
Perfectly grills meats, poultry and vegetables, achieving even browning and an irresistible flavor.

## spec.

<b>Size</b>	90 cm
<b>Dimensions (cm)</b> <small>(W x D x H)</small>	87.4 x 51 x 10
<b>Materials</b>	8mm matte black tempered glass
<b>Weight</b>	21 kg
<b>Burners</b>	SABAF copper alloy   10-year warranty
<b>Control</b>	Knobs
<b>Gas bags</b>	LPG gas
<b>Power</b>	39,578 BTU
<b>Voltage</b>	110-220V/50-60Hz
<b>Ignition system</b>	Electric

### PODs

- Includes a 5-nozzle conversion kit for natural gas.
- 1 gas code connector.
- 1 gas connector.



## ELECTRIC COOKTOPS

- BARI 30-A
- BARI 60-A
- BARI 76-A
- BARI 90-A
- BARI 30
- BARI 60
- BARI 76
- BARI 90
- BERLÍN 30
- BERLÍN 60
- BERLÍN 76
- BERLÍN 90

### BARI 30-A

**1 YEAR**  
warranty

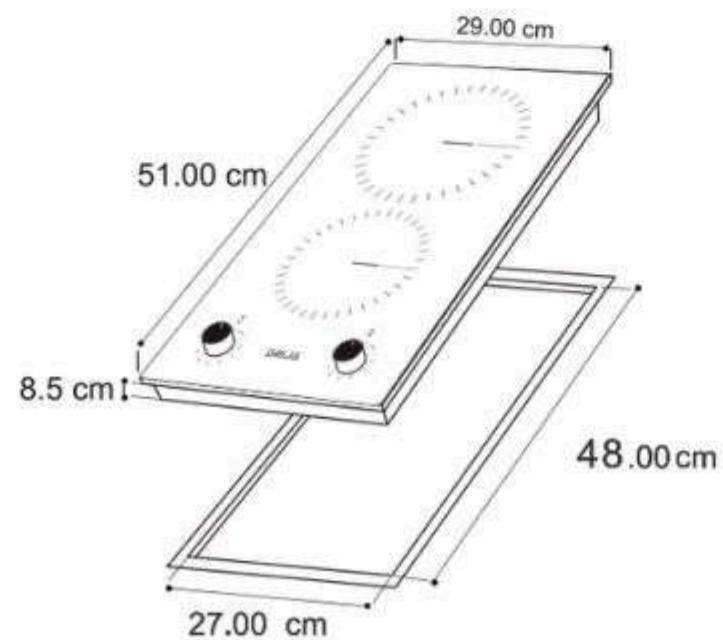


**1.8 kw**  
20cm diameter

**1.2 kw**  
16.5cm diameter



## POD



### Compact Desing

Its compact size optimizes workspace and adapts easily to small kitchens, apartments, or as a complementary cooking solution.



### 9 power levels for each zone

Allows precise heat adjustment for different preparations, from melting to boiling.



### Ceramic glass surface

Its smooth surface adds a modern look, makes cleaning easier, and ensures even heat distribution.



### 2 cooking zones

Includes two heating areas for practical, everyday cooking.



### Residual heat indicator

Alerts when the surface is still hot, allowing safer and more efficient use of remaining heat.



### Mechanical knob control

Provides practical and reliable control of each zone's power.

## spec.

<b>Size</b>	30 cm
<b>Dimensions (cm)</b> (W x D x H)	29 x 51 x 8.5
<b>Materials</b>	Black glass ceramic
<b>Net weight</b>	4,2 kg
<b>Radiant burner</b>	EGO
<b>Control</b>	knobs
<b>Power</b>	3.0 kw
<b>Voltage</b>	220 V/ 50- 60 Hz
<b>Ignition system</b>	Electric



### BARI 60-A

**1 YEAR** warranty **DR**

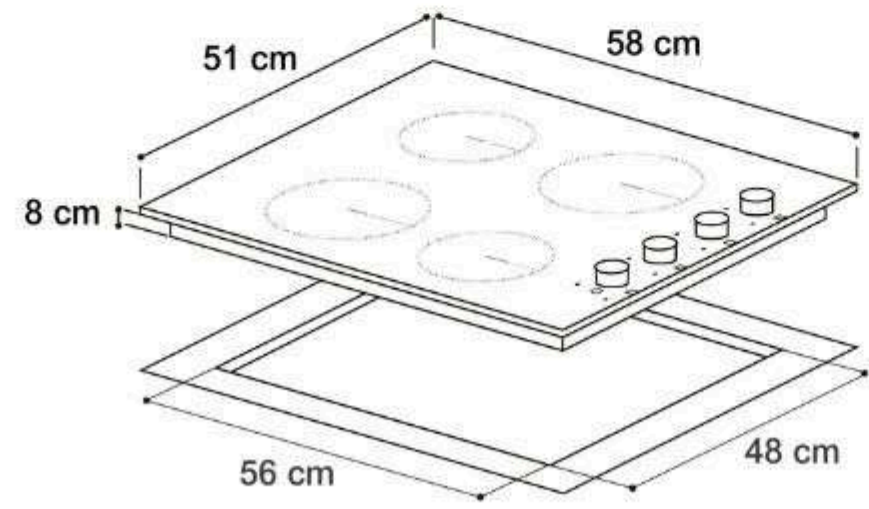
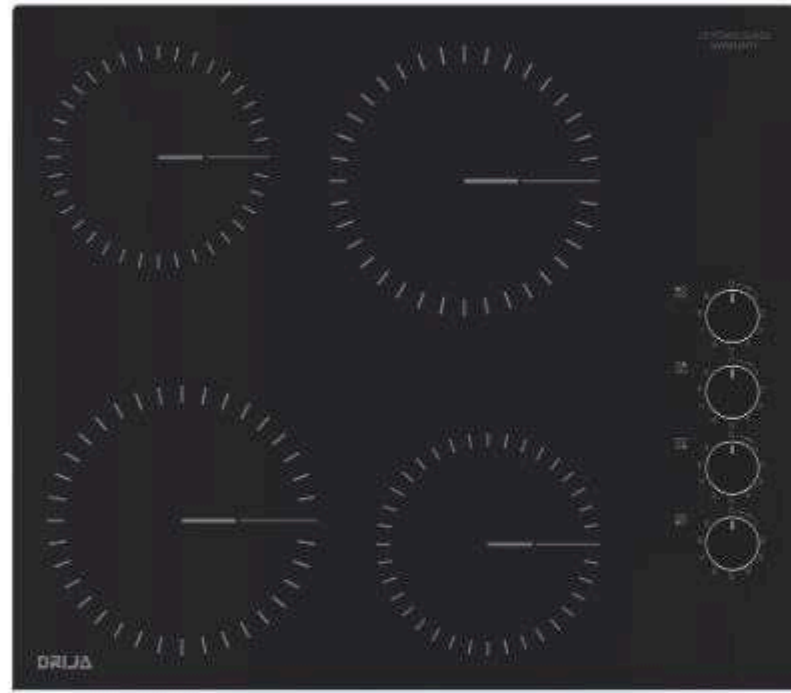
2026

1.2 kw  
16.5cm diameter

1.8 kw  
20cm diameter

1.8 kw  
20cm diameter

1.2 kw  
16.5cm diameter



# POD



### Compact Desing

Its 58 cm design optimizes kitchen space and adapts easily to different environments without compromising functionality.



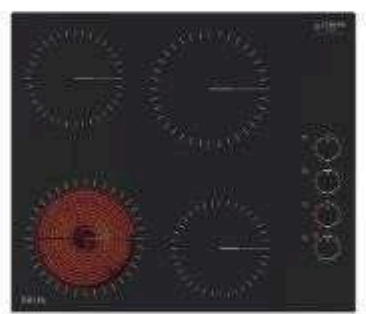
### 9 power levels for each zone

Allows precise heat adjustment for different preparations, from melting to boiling.



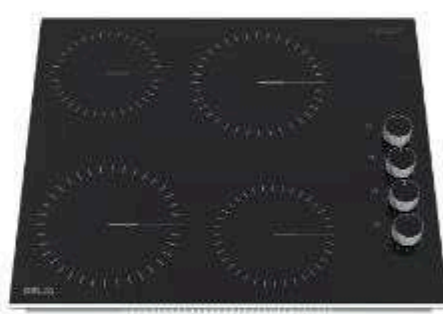
### 4 Power zones

Includes four heating areas, allowing you to prepare multiple dishes with greater convenience in your daily cooking.



### Residual heat indicator

Alerts when the surface is still hot, allowing safer and more efficient use of remaining heat.



### Ceramic glass surface

Its smooth surface adds a modern look, makes cleaning easier, and ensures even heat distribution.



### Mechanical knob control

Provides practical and reliable control of each zone's power.

# spec.

<b>Size</b>	60 cm
<b>Dimensions (cm)</b> (W x D x H))	58 x 51 x 8
<b>Materials</b>	Black ceramic glass   aluminum rim
<b>Net weight</b>	8,2 kg
<b>Radiant burner</b>	EGO
<b>Control</b>	Knobs
<b>Power</b>	6.0 kw
<b>Voltage</b>	220 V/ 50- 60 Hz
<b>Ignition system</b>	Electric



\*\*\*Some images are for illustrative purposes only.

### BARI 76-A

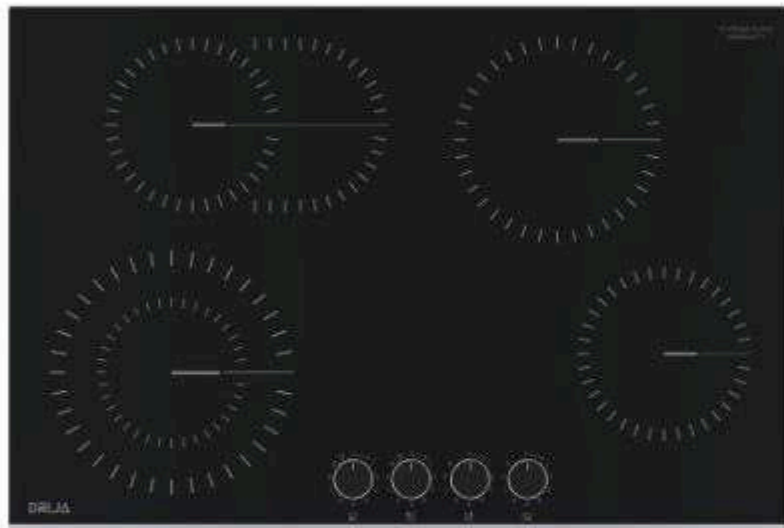
**1 YEAR**  
warranty



2026

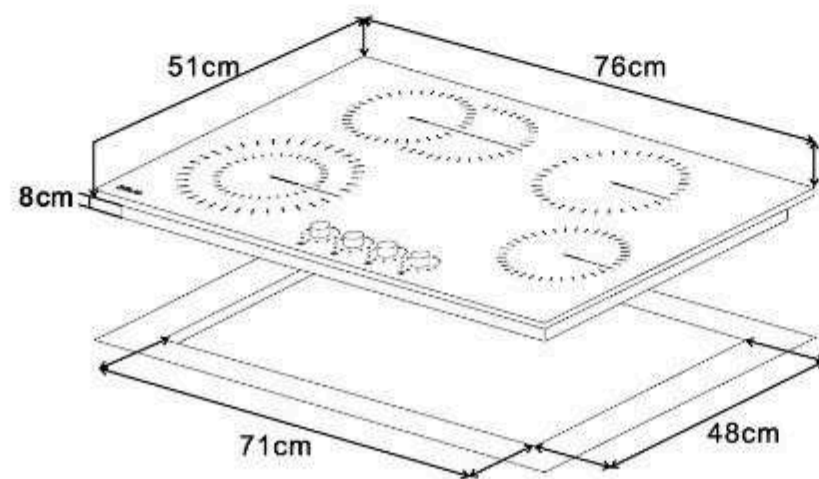
1.1 - 1.2 kw  
16.5 - 27cm diameter

1.0 - 2.2 kw  
23cm diameter

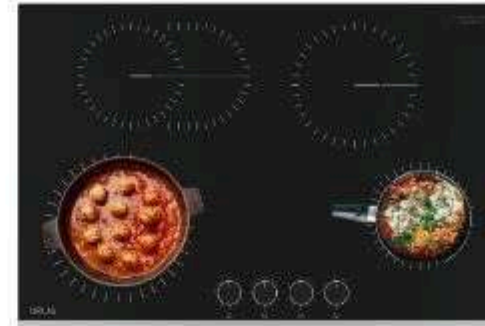


1.8 kw  
20cm diameter

1.2 kw  
16.5cm diameter

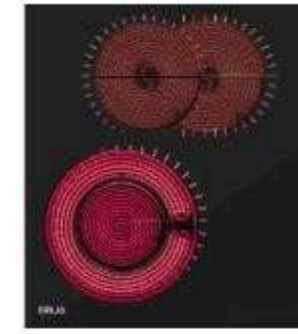


## POD



### Wide 76 cm format

Its 76 cm width provides more space between cooking zones, allowing you to prepare multiple dishes with greater comfort.



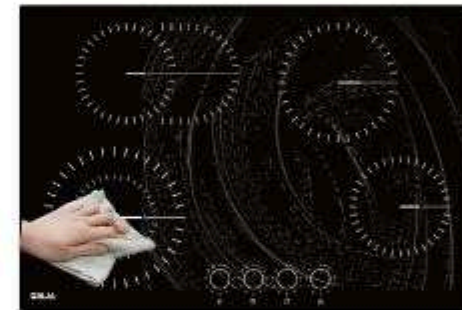
### Dual Flex zone

Features expandable zones that adapt to the size of your cookware for more versatile cooking.



### 9 power levels for each zone

Allows precise heat adjustment for different preparations, from melting to boiling.



### Ceramic glass surface

Its smooth surface adds a modern look, makes cleaning easier, and ensures even heat distribution.



### Residual heat indicator

Alerts when the surface is still hot, allowing safer and more efficient use of remaining heat.



### Mechanical knob control

Residual heat indicator

## spec.

<b>Size</b>	76 cm
<b>Dimensions (cm)</b> (W x D x H))	76 x 51 x 8
<b>Materials</b>	Black glass ceramic
<b>Net weight</b>	10,3 kg
<b>Radiant burner</b>	EGO
<b>Control</b>	Knobs
<b>Power</b>	7.2 kw
<b>Voltage</b>	220 V/ 50- 60 Hz
<b>Ignition system</b>	Electric



### BARI 90-A

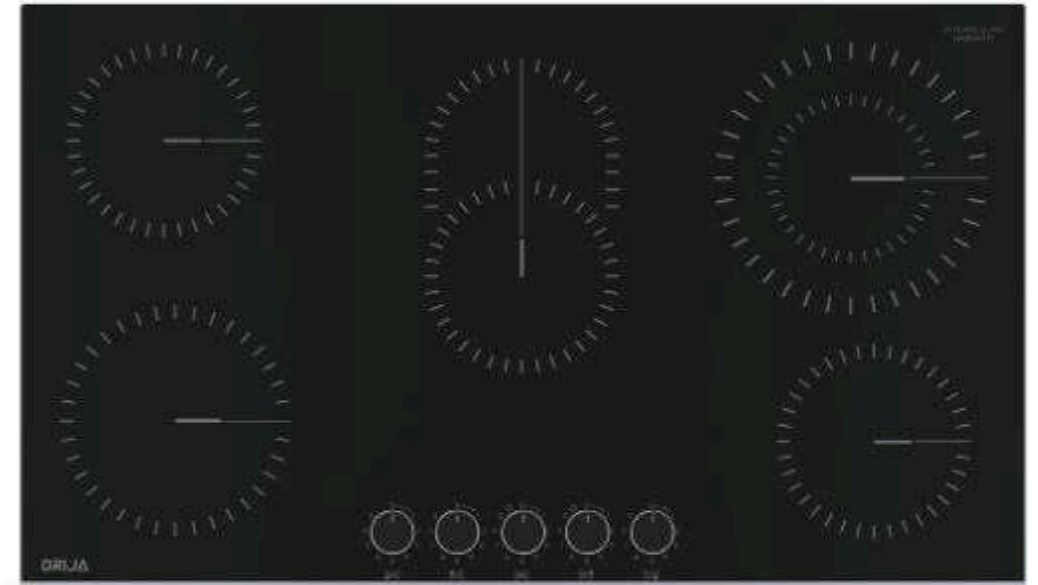
**1 YEAR** warranty **DR**

2026

1.1 - 1.2 kw  
16.5 - 27cm diameter

1.2 kw  
16.5cm diameter

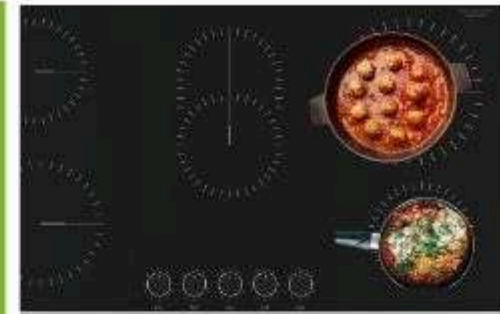
1.8 kw  
20cm diameter



1.0 - 2.2 kw  
23cm diameter

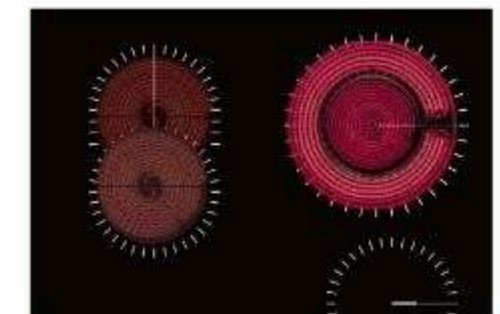
1.2 kw  
16.5cm diameter

## POD



### Wide size for greater comfort

With an 87 cm width, it is ideal for those who need more space between burners or cook in large quantities.



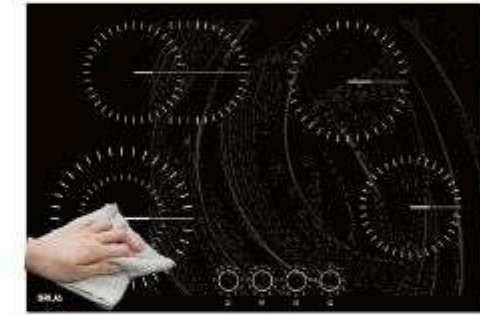
### Dual Flex zone

Features expandable zones that adapt to the size of your cookware for more versatile cooking.



### 9 power levels for each zone

Allows precise heat adjustment for different preparations, from melting to boiling.



### Ceramic glass surface

Its smooth surface adds a modern look, makes cleaning easier, and ensures even heat distribution.



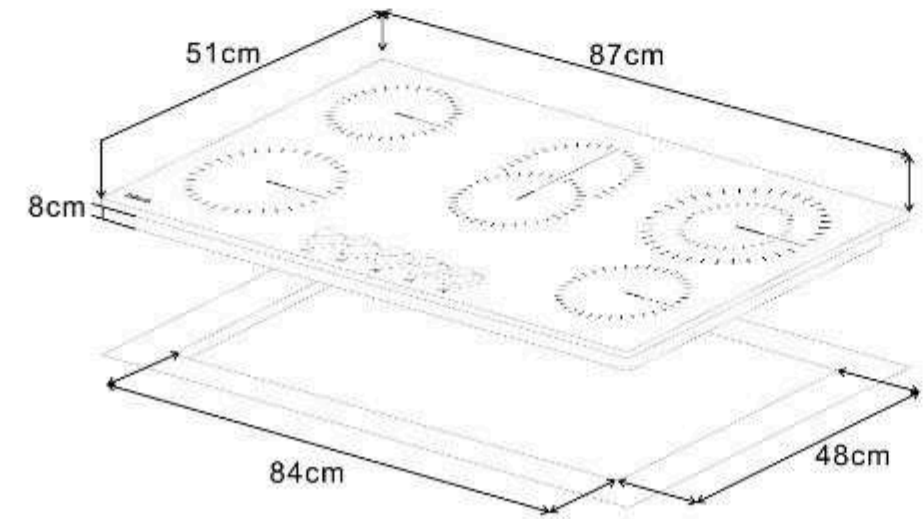
### Residual heat indicator

Alerts when the surface is still hot, allowing safer and more efficient use of remaining heat.



### Mechanical knob control

Provides practical and reliable control of each zone's power.



## spec.

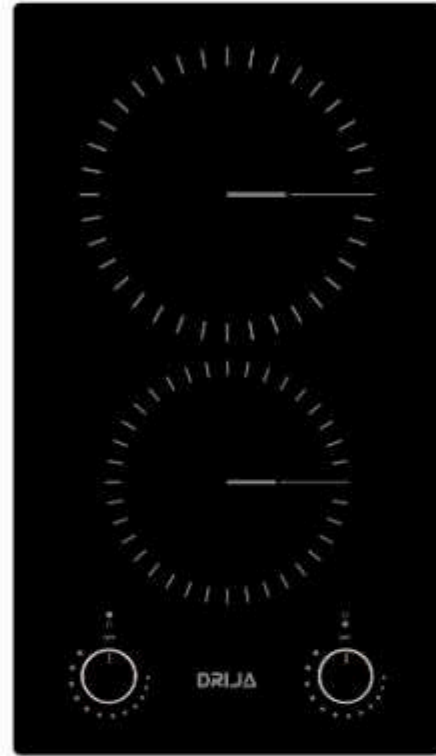
<b>Size</b>	90 cm
<b>Dimensions (cm)</b> (W x D x H)	87 x 51 x 8
<b>Materials</b>	Black glass ceramic
<b>Net weight</b>	12.2 kg
<b>Radiant burner</b>	EGO
<b>Control</b>	Knobs
<b>Power</b>	8.4 kw
<b>Voltage</b>	220 V/ 50- 60 Hz
<b>Ignition system</b>	Electric



\*\*\*Some images are for illustrative purposes only.

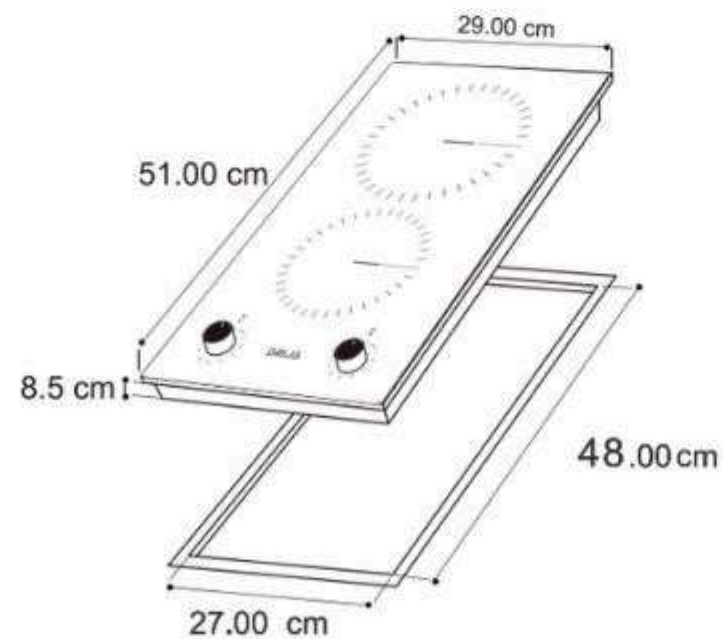
**BARI 30**

**1 YEAR** warranty **DR**



**1.8 kw**  
20cm diameter

**1.2 kw**  
16.5cm diameter



## POD



### Style that elevates your kitchen

At just 29 cm wide, it fits perfectly in small kitchens or confined spaces without sacrificing functionality



### Black glass ceramic

Sophisticated design that brings modern style to your kitchen, with a smooth, durable surface that's easy to clean



### Mechanical control panel with metal knobs

High-quality knobs provide classic, robust control, combining aesthetics with reliable functionality.



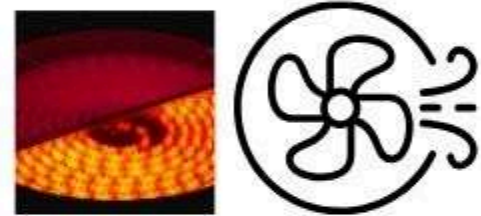
### Residual heat indicator

The residual heat indicator alerts you when the surface is still hot, even after the cooktop has been turned off.



### Total power of 3 kW for all types of recipes

Equipped with two EGO cooking zones of different sizes and power levels, it offers the ideal performance for boiling, sautéing, frying, or simmering with ease.



### Automatic overheating protection

Smart system that automatically shuts off the zone if it detects dangerous temperatures—protecting both your safety and the lifespan of the appliance.

## spec.

<b>Size</b>	30 cm
<b>Dimensions (cm)</b> (W x D x H))	29 x 51 x 8.5
<b>Materials</b>	Black glass ceramic
<b>Net weight</b>	4,2 kg
<b>Radiant burner</b>	EGO
<b>Control</b>	knobs
<b>Power</b>	3.0 kw
<b>Voltage</b>	220 V/ 50- 60 Hz
<b>Ignition system</b>	Electric

## PODs

- 9 Power Levels.
- Power-on indicator.
- Residual heat indicator.

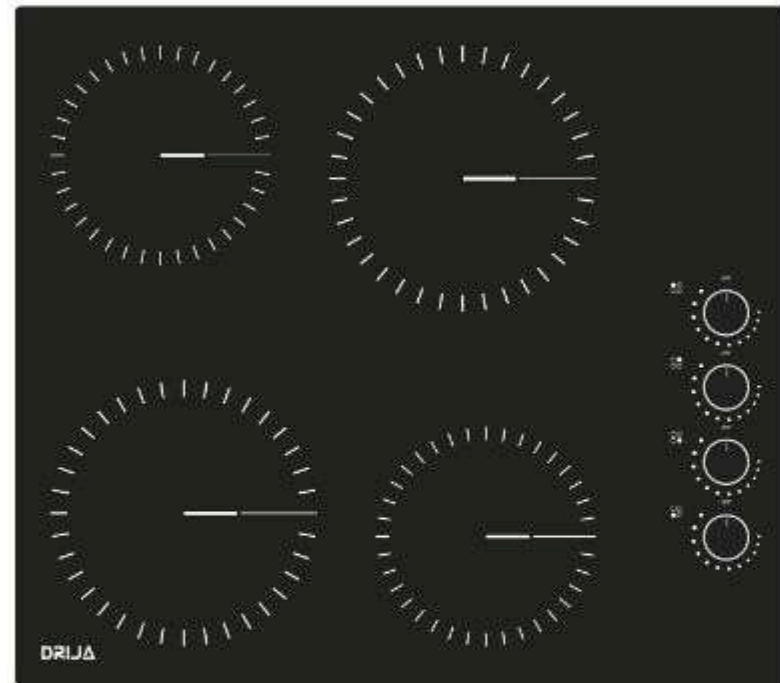
### BARI 60

**1 YEAR**  
warranty



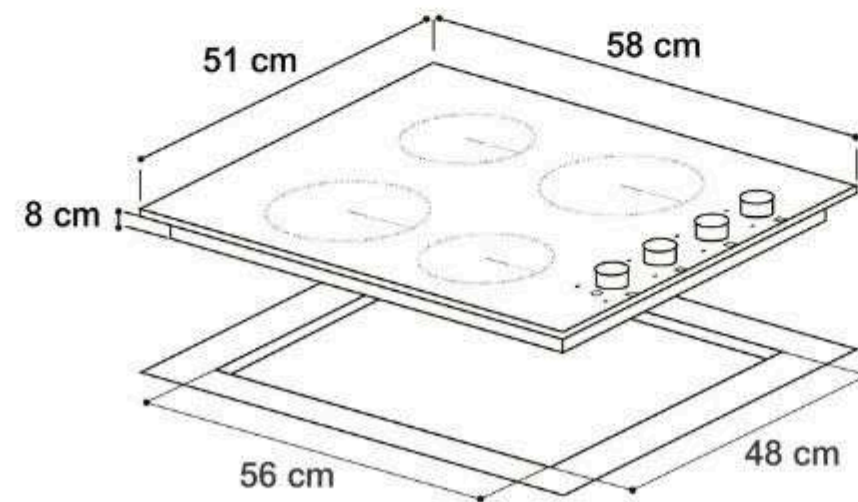
**1.2 kw**  
16.5cm diameter

**1.8 kw**  
20cm diameter



**1.8 kw**  
20cm diameter

**1.2 kw**  
16.5cm diameter



## POD

## spec.



### Endless cooking possibilities

Its 58 cm size and four cooking zones make it perfect for those who cook larger volumes or need versatile use.



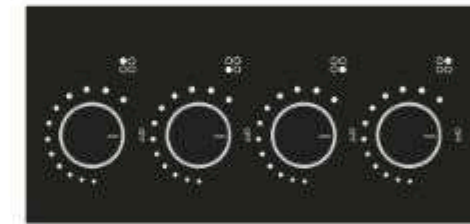
### Black glass ceramic

Sophisticated design that brings modern style to your kitchen, with a smooth, durable surface that's easy to clean



### Mechanical control panel with metal knobs

High-quality knobs provide classic, robust control, combining aesthetics with reliable functionality.



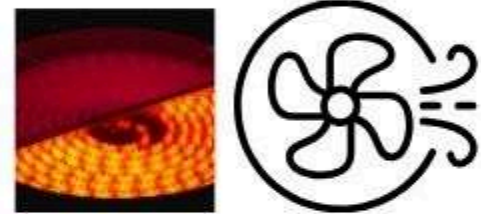
### 9 power levels for each zone

Each burner offers precise heat control, ideal for all types of preparations: from melting chocolate to quickly boiling water.



### Total power of 6.0 kW for excellent performance

Equipped with 4 EGO cooking zones, it offers the ideal performance for boiling, sautéing, or simmering efficiently.



### Automatic overheating protection

Smart system that automatically shuts off the zone if it detects dangerous temperatures, protecting both your safety and the lifespan of the appliance.

### PODs

- 9 Power Levels.
- Power-on indicator.
- Residual heat indicator.

<b>Size</b>	60 cm
<b>Dimensions (cm)</b> (W x D x H))	58 x 51 x 8
<b>Materials</b>	Black glass ceramic
<b>Net weight</b>	8,2 kg
<b>Radiant burner</b>	EGO
<b>Control</b>	Knobs
<b>Power</b>	6.0 kw
<b>Voltage</b>	220 V/ 50- 60 Hz
<b>Ignition system</b>	Electric

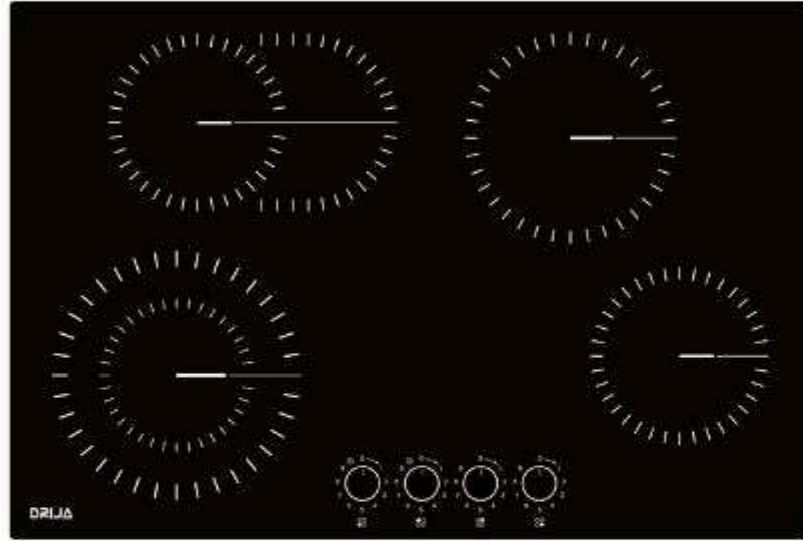
### BARI 76

**1 YEAR**  
warranty



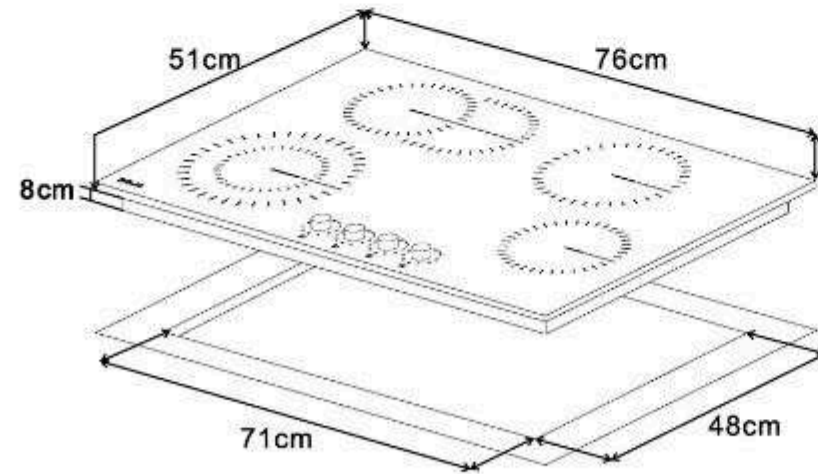
**1.1 - 1.2 kw**  
16.5 - 27cm diameter

**1.0 - 2.2 kw**  
23cm diameter



**1.8 kw**  
20cm diameter

**1.2 kw**  
16.5cm diameter



## POD



### Ideal for family kitchens

With a width of 76 cm, it's perfect for those who want more space between burners and greater freedom while cooking.



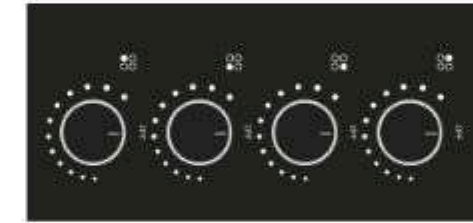
### Flex Zone

The front and left zones feature expandable technology that adapts to the size of your cookware—providing precise heat where and when you need it.



### Mechanical control panel with metal knobs

High-quality knobs provide classic, robust control, combining aesthetics with reliable functionality.



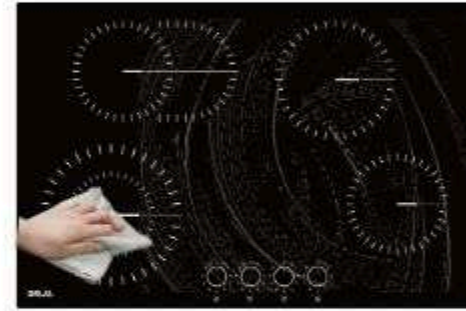
### 9 power levels for each zone

Each burner offers precise heat control, ideal for all types of preparations: from melting chocolate to quickly boiling water.



### Total power of 7.2 kW for excellent performance

Equipped with 4 EGO cooking zones, it offers the ideal performance for boiling, sautéing, or simmering efficiently.



### Easy to clean

The vitroceramic surface is not only stylish but also super easy to clean. Less effort, more shine.

## spec.

<b>Size</b>	76 cm
<b>Dimensions (cm)</b> (W x D x H))	76 x 51 x 8
<b>Materials</b>	Black glass ceramic
<b>Net weight</b>	10,3 kg
<b>Radiant burner</b>	EGO
<b>Control</b>	Knobs
<b>Power</b>	7.2 kw
<b>Voltage</b>	220 V/ 50- 60 Hz
<b>Ignition system</b>	Electric

## PODs

- 9 Power Levels.
- Power-on indicator.
- Residual heat indicator.

### BARI 90

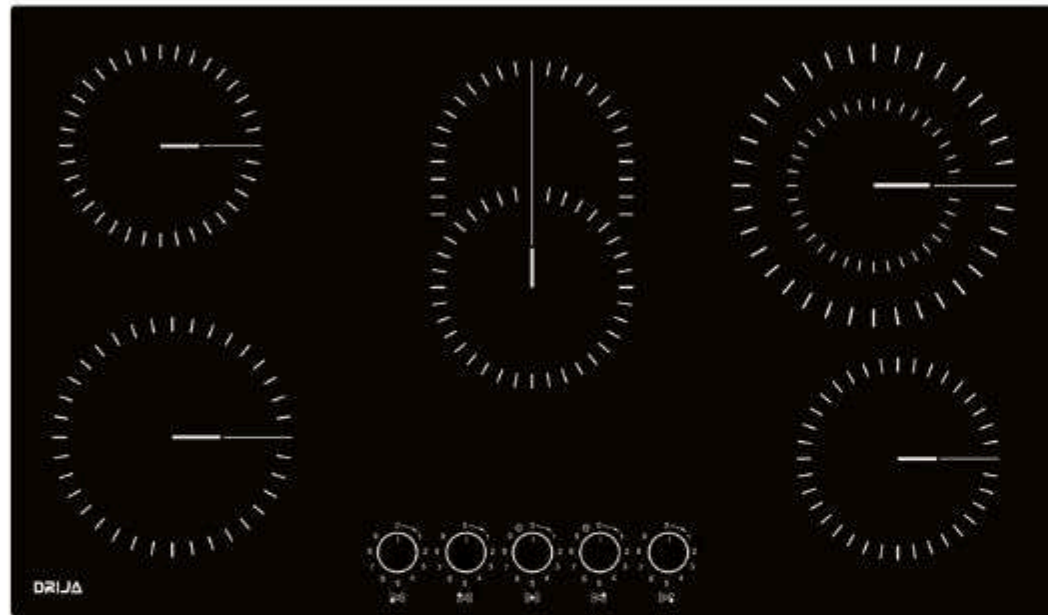
**1 YEAR**  
warranty



1.1 - 1.2 kw  
16.5 - 27cm diameter

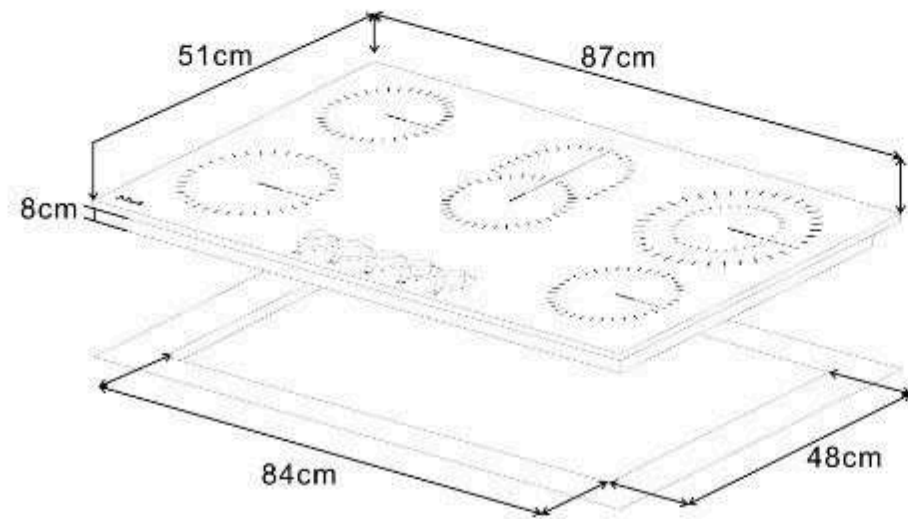
1.2 kw  
16.5cm diameter

1.8 kw  
20cm diameter



1.0 - 2.2 kw  
23cm diameter

1.2 kw  
16.5cm diameter



## POD

## spec.

<b>Size</b>	90 cm
<b>Dimensions (cm)</b> (W x D x H))	87 x 51 x 8
<b>Materials</b>	Black glass ceramic
<b>Net weight</b>	12.2 kg
<b>Radiant burner</b>	EGO
<b>Control</b>	Knobs
<b>Power</b>	8.4 kw
<b>Voltage</b>	220 V/ 50- 60 Hz
<b>Ignition system</b>	Electric



### Ideal for family kitchens

With a width of 87 cm, it's perfect for those who want more space between burners and greater freedom while cooking.



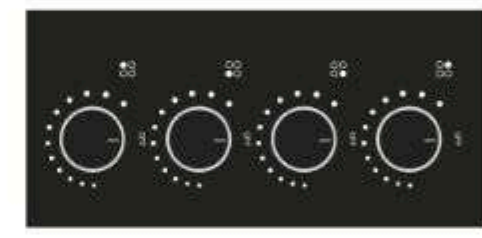
### Flex Zone

The front and left zones feature expandable technology that adapts to the size of your cookware—providing precise heat where and when you need it.



### Mechanical control panel with metal knobs

High-quality knobs provide classic, robust control, combining aesthetics with reliable functionality.



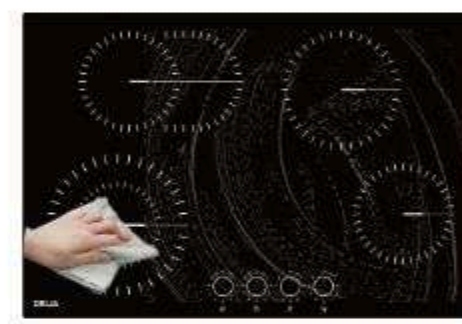
### 9 power levels for each zone

Each burner offers precise heat control, ideal for all types of preparations: from melting chocolate to quickly boiling water.



### 8.4 kW of power for professional-level cooking

Five EGO zones deliver superior performance and the freedom to prepare multiple dishes at the same time without compromising power.



### Easy to clean

The vitroceramic surface is not only stylish but also super easy to clean. Less effort, more shine.

### PODs

- 9 Power Levels.
- Power-on indicator.
- Residual heat indicator.

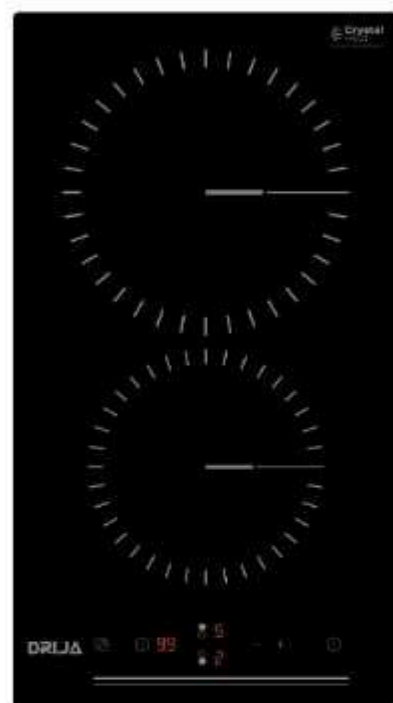
\*\*\*Some images are for illustrative purposes only.

### BERLÍN 30

**1 YEAR**  
warranty

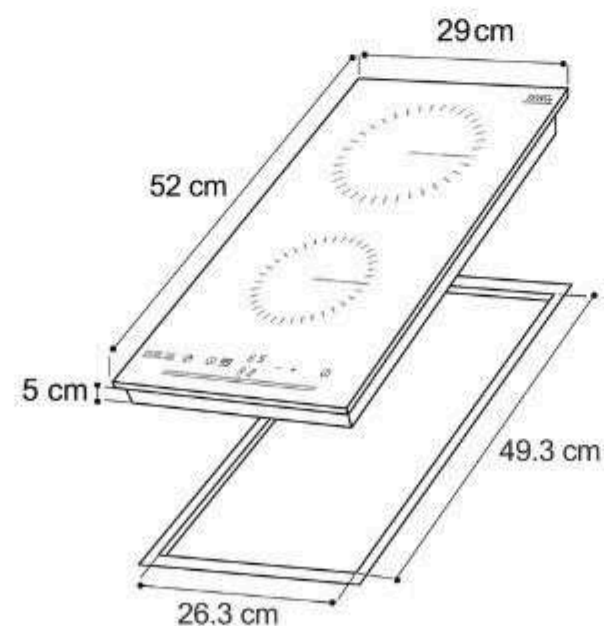


2026



1.8 kw

1.2 kw



## POD



### Compact Desing

Its 58 cm design optimizes kitchen space and adapts easily to different environments without compromising functionality.



### 9 power levels for each zone

Allows precise heat adjustment for different preparations, from melting to boiling.



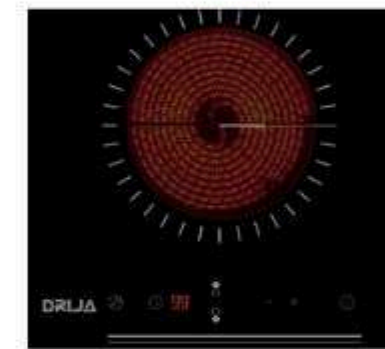
### Digital panel

The touch sensor control panel allows easy and precise temperature adjustment, without the need for knobs.



### Easy cleaning

The ceramic glass surface is not only elegant but also easy to clean—less effort, more shine.



### Residual heat indicator

Alerts when the surface is still hot, allowing safer and more efficient use of remaining heat.



### Child lock

Locks the touch controls to prevent accidental use and provide greater safety in the kitchen.

### PODs

- Overheat protection.

## spec.

<b>Size</b>	30 cm
<b>Dimensions (cm)</b> (W x D x H))	29 x 52 x 5.5
<b>Materials</b>	SCHOTT CERAN black glass ceramic hob   beveled edges
<b>Net weight</b>	4.7 kg
<b>Radiant burner</b>	Eika
<b>Control</b>	Slider touch
<b>Power</b>	3.0 kw
<b>Voltage</b>	220 - 240 V/ 50- 60 Hz
<b>Ignition system</b>	Electrical   1 to 99 minutes shut-down timer



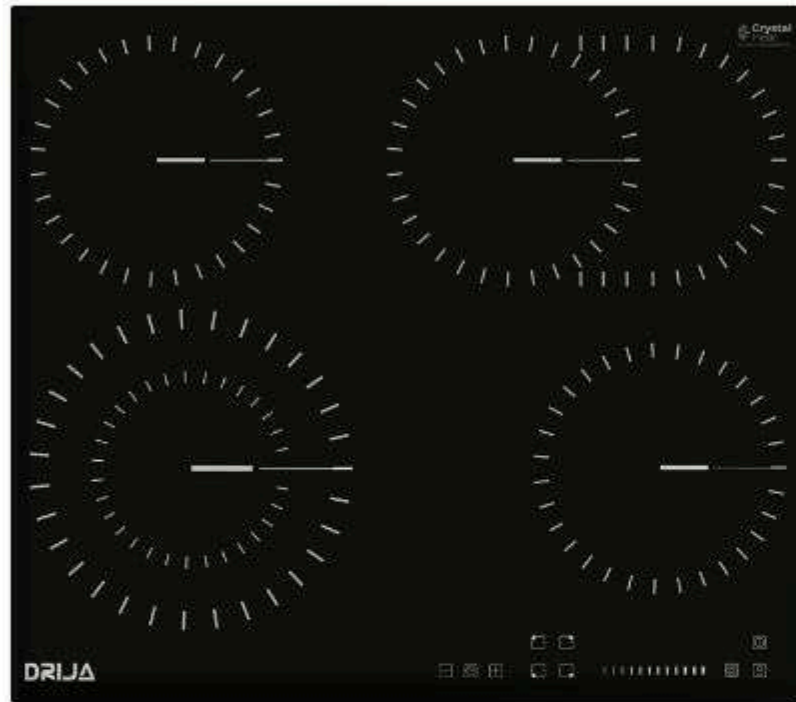
### BERLÍN 60

**1 YEAR**  
warranty

**DR**

2026

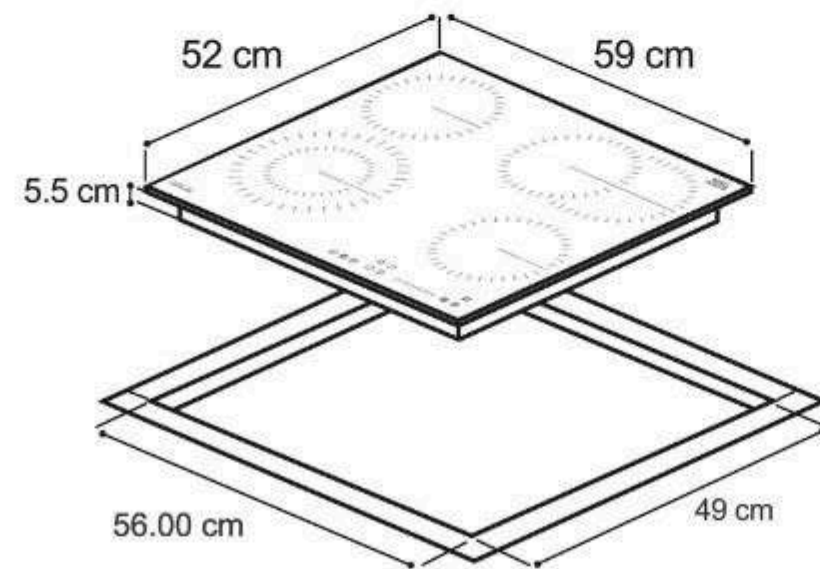
1.2 kw



1.0- 2.2 kw

1.1 - 2.0 kw

1.2 kw



## POD



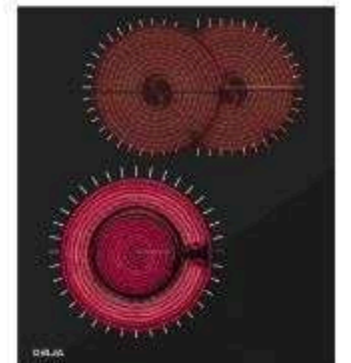
### Compact design

Its 58 cm size optimizes kitchen space and adapts easily to different environments without compromising functionality.



### 9 power levels for each zone

Allows precise heat adjustment for different preparations, from melting to boiling.



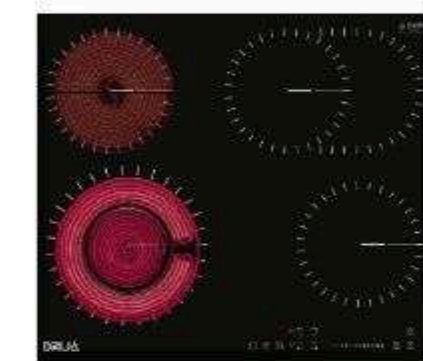
### Dual Flex zone

Features expandable zones that adapt to the size of your cookware for more versatile cooking.



### Child Lock

Locks the touch controls to prevent accidental use and provide greater safety in the kitchen.



Alerts when the surface is still hot, allowing safer and more efficient use of remaining heat.



### Digital panel

The touch sensor control panel allows easy and precise temperature adjustment, without the need for knobs.

### PODs

- Overheat protection.

## spec.

<b>Size</b>	60 cm
<b>Dimensions (cm)</b> (W x D x H))	59 x 52 x 5.5
<b>Materials</b>	SCHOTT CERAN black glass ceramic hob   beveled edges.
<b>Net weight</b>	9 kg
<b>Radiant burner</b>	Eika
<b>Control</b>	Slider touch
<b>Power</b>	6.6 kw
<b>Voltage</b>	220 - 240 V/ 50- 60 Hz
<b>Ignition system</b>	Electrical   1 to 99 minutes shut-down timer

Certification

**CB**

**20** AÑOS DE GARANTÍA EN EL VIDRIO | YEARS GLASS WARRANTY

Crystal Heat



## BERLÍN 76

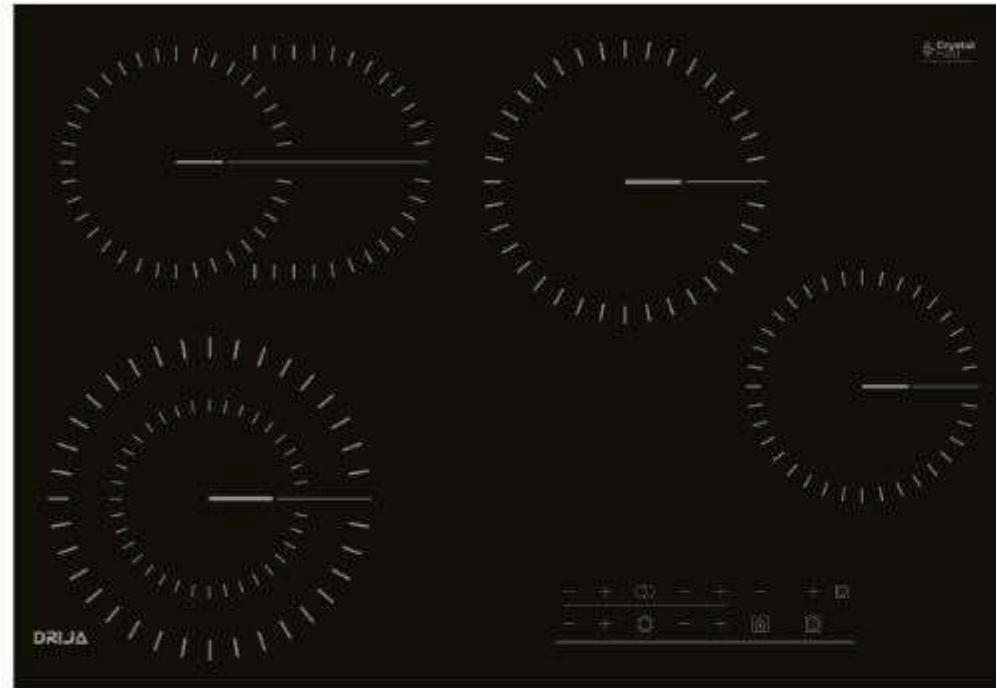
**1 YEAR**  
warranty



2026

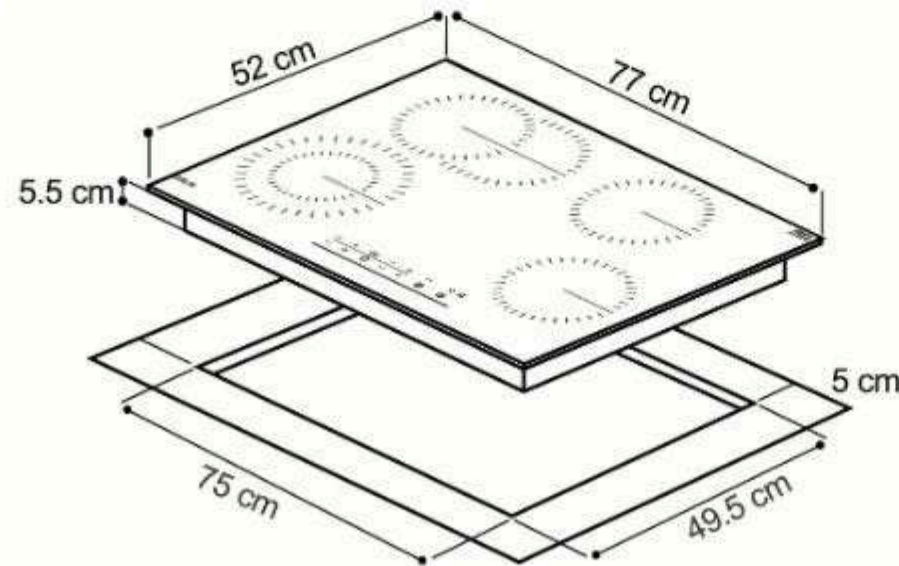
1.0- 2.2 kw

1.1 - 2.0 kw



1.2kw

1.8 kw



# POD



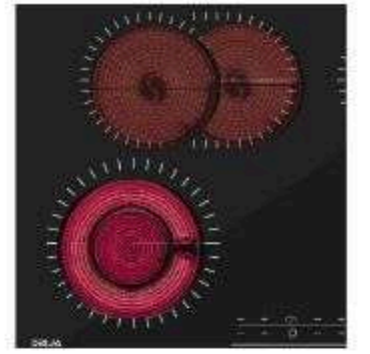
### Wide 76 cm format

Its 76 cm width provides more space between cooking zones, allowing you to prepare multiple dishes with greater comfort.



### 9 power levels for each zone

Allows precise heat adjustment for different preparations, from melting to boiling.



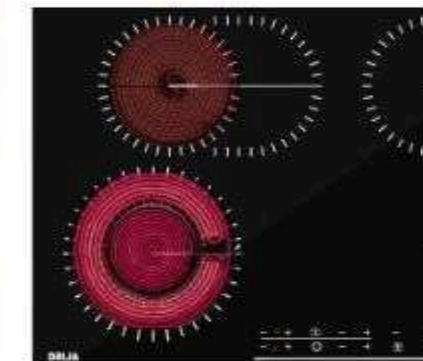
### Dual Flex zone

Features expandable zones that adapt to the size of your cookware for more versatile cooking.



### Child Lock

Locks the touch controls to prevent accidental use and provide greater safety in the kitchen.



### Residual heat indicator

Alerts when the surface is still hot, allowing safer and more efficient use of remaining heat.



### Digital panel

The touch sensor control panel allows easy and precise temperature adjustment, without the need for knobs.

## PODs

- Overheat protection.

# spec.

**Size**  
**Dimensions (cm)**  
(W x D x H))  
**Materials**  
**Net weight**  
**Radiant burner**  
**Control**  
**Power**  
**Voltage**  
**Ignition system**

76 cm  
77 x 52 x 5.5  
SCHOTT CERAN black glass ceramic hob | beveled edges  
12.40 kg  
EGO  
Slider touch  
7.2 kw  
220 - 240 V/ 50- 60 Hz  
Electrical | 1 to 99 minutes shut-down timer



### BERLÍN 90

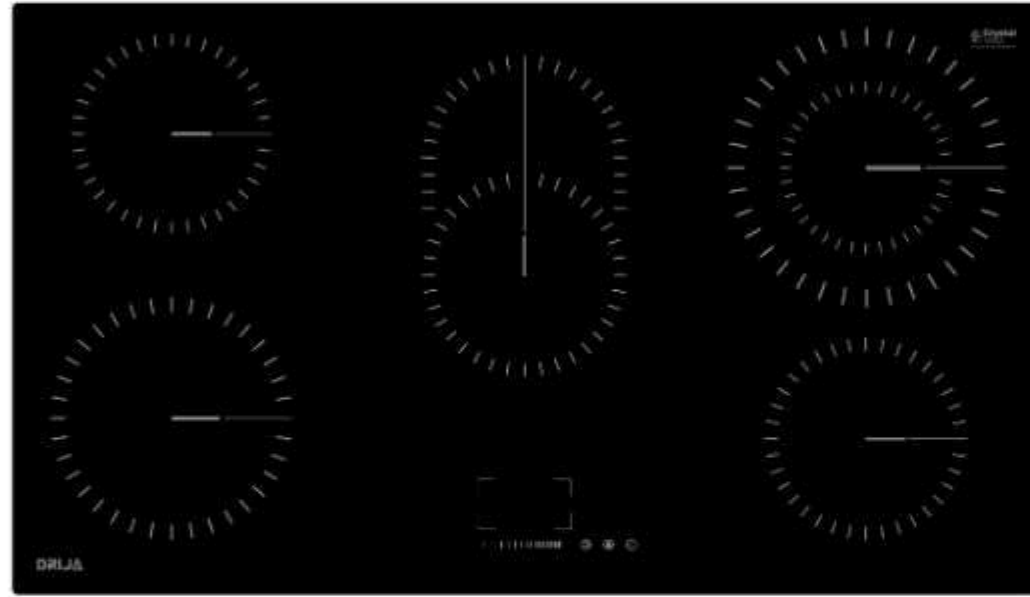
**1 YEAR**  
warranty

**DR**

2026

1.1 - 2.0 kw

1.2 kw



1.0 - 2.2 kw

1.2 kw

1.8 kw

## POD



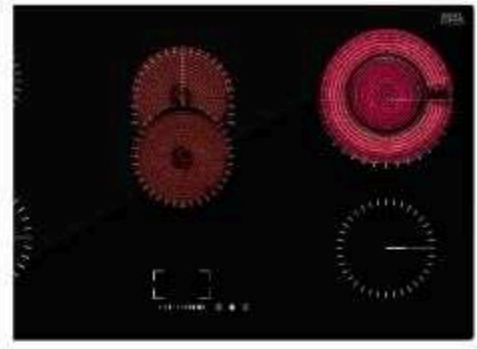
### Wide size for greater comfort

With an 87 cm width, it is ideal for those who need more space between burners or cook in large quantities.



### 9 power levels for each zone

Allows precise heat adjustment for different preparations, from melting to boiling.



### Dual Flex zone

Features expandable zones that adapt to the size of your cookware for more versatile cooking.



### Child Lock

Locks the touch controls to prevent accidental use and provide greater safety in the kitchen.



### Residual heat indicator

Alerts when the surface is still hot, allowing safer and more efficient use of remaining heat.

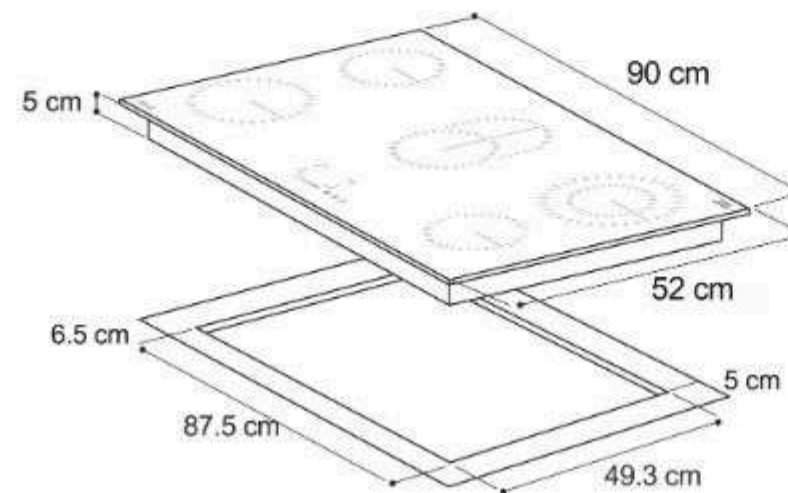


### Digital panel

The touch sensor control panel allows easy and precise temperature adjustment, without the need for knobs.

### PODs

- Overheat protection,



## spec.

**Size**  
**Dimensions (cm)**  
(W x D x H)  
**Materials**  
**Net weight**  
**Radiant burner**  
**Control**  
**Power**  
**Voltage**  
**Ignition system**

90 cm  
90 x 52 x 5.5  
SCHOTT CERAN black glass ceramic hob | beveled edges  
11 kg  
EGO  
Slider touch  
8.4 kw  
220 - 240 V/ 50- 60 Hz  
Electrical | 1 to 99 minutes shut-down timer

Certification  
**CB**



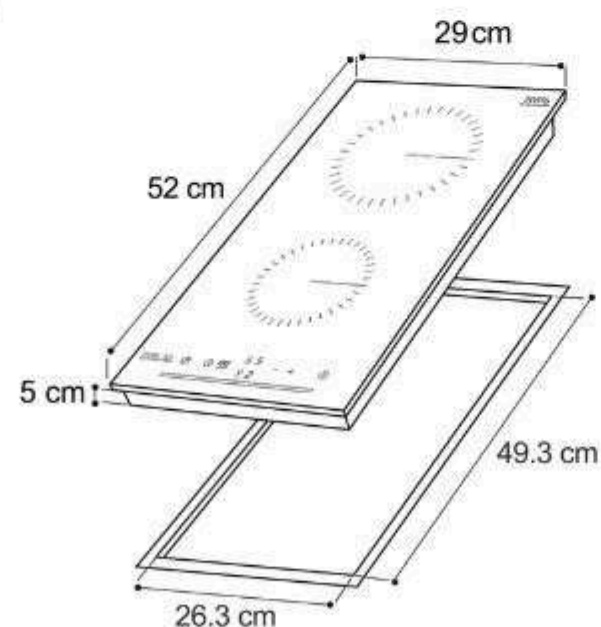
### BERLÍN 30

**1 YEAR** warranty **DR**



1.8 kw

1.2 kw



## POD



### Compact Desing

Its 58 cm design optimizes kitchen space and adapts easily to different environments without compromising functionality.



### 9 power levels for each zone

Allows precise heat adjustment for different preparations, from melting to boiling.



### Digital panel

The touch sensor control panel allows easy and precise temperature adjustment, without the need for knobs.



### Easy cleaning

The ceramic glass surface is not only elegant but also easy to clean—less effort, more shine.



### Residual heat indicator

Alerts when the surface is still hot, allowing safer and more efficient use of remaining heat.



### Child lock

Locks the touch controls to prevent accidental use and provide greater safety in the kitchen.

### PODs

- Overheat protection.

## spec.

<b>Size</b>	30 cm
<b>Dimensions (cm)</b> (W x D x H))	29 x 52 x 5.5
<b>Materials</b>	SCHOTT CERAN black glass ceramic hob   beveled edges
<b>Net weight</b>	4.7 kg
<b>Radiant burner</b>	Eika
<b>Control</b>	Slider touch
<b>Power</b>	3.0 kw
<b>Voltage</b>	220 - 240 V/ 50- 60 Hz
<b>Ignition system</b>	Electrical   1 to 99 minutes shut-down timer

Certification **CB** **10** AÑOS/YEARS GARANTIA/WARRANTY EN VITRO / IN VITRO **SCHOTT CERAN** **eika**

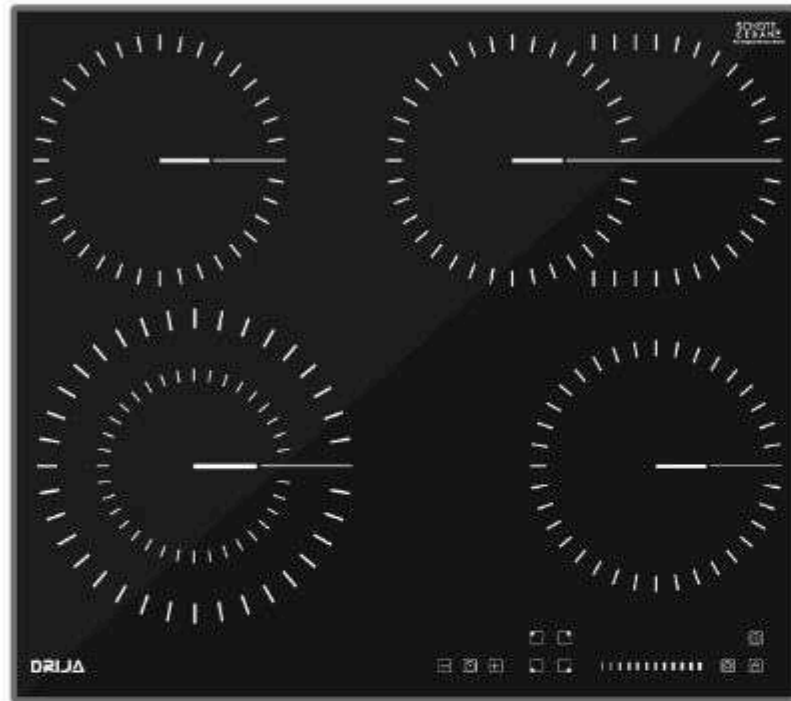
\*\*\*Some images are for illustrative purposes only.

### BERLÍN 60

**1 YEAR** warranty **DR**

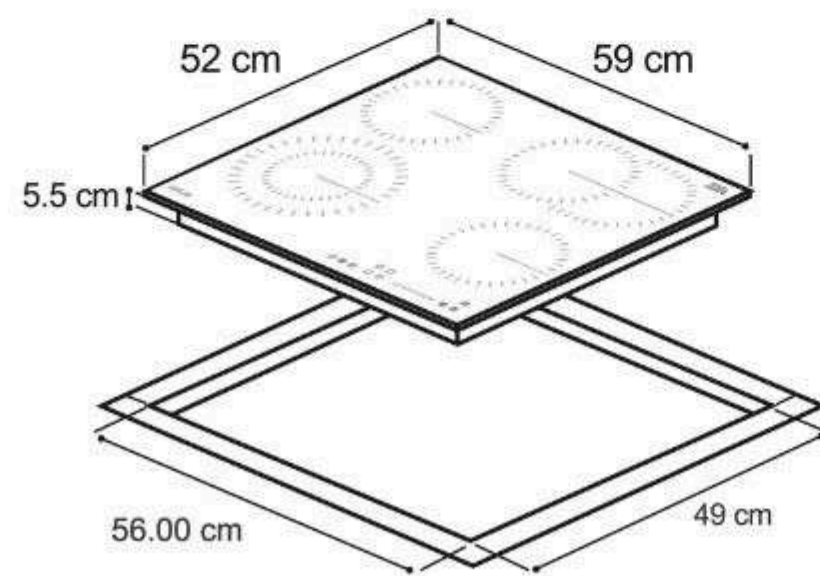
1.2 kw

1.1 - 2.0 kw



1.0- 2.2 kw

1.2 kw



Certification

**CB**

**10** AÑOS/YEARS GARANTÍA/WARRANTY EN VITRO / IN VITRO SCHOTT CERAN®



## POD



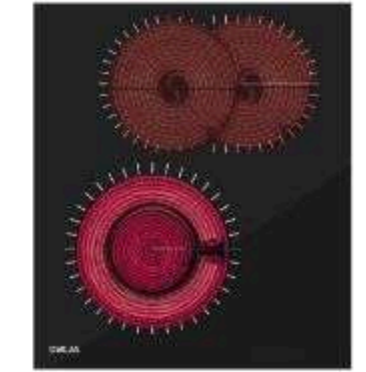
### Compact design

Its 58 cm size optimizes kitchen space and adapts easily to different environments without compromising functionality.



### 9 power levels for each zone

Allows precise heat adjustment for different preparations, from melting to boiling.



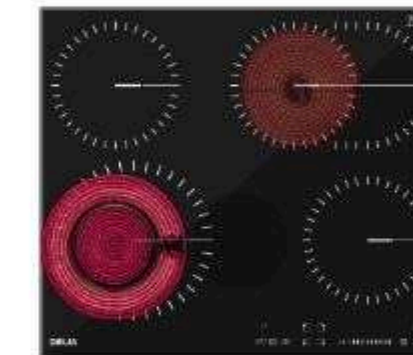
### Dual Flex zone

Features expandable zones that adapt to the size of your cookware for more versatile cooking.



### Child Lock

Locks the touch controls to prevent accidental use and provide greater safety in the kitchen.



### Residual heat indicator

Alerts when the surface is still hot, allowing safer and more efficient use of remaining heat.



### Digital panel

The touch sensor control panel allows easy and precise temperature adjustment, without the need for knobs.

### PODs

- Overheat protection.

## spec.

<b>Size</b>	60 cm
<b>Dimensions (cm)</b> (W x D x H))	59 x 52 x 5.5
<b>Materials</b>	SCHOTT CERAN black glass ceramic hob   beveled edges.
<b>Net weight</b>	9 kg
<b>Radiant burner</b>	Eika
<b>Control</b>	Slider touch
<b>Power</b>	6.6 kw
<b>Voltage</b>	220 - 240 V/ 50- 60 Hz
<b>Ignition system</b>	Electrical   1 to 99 minutes shut-down timer

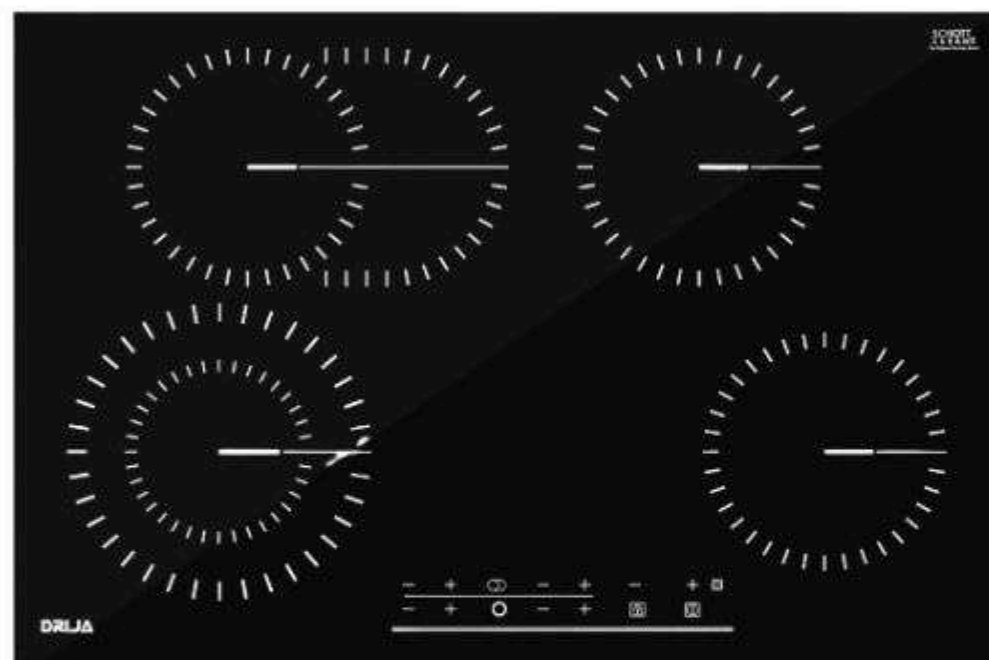
### BERLÍN 76

**1 YEAR**  
warranty

**DR**

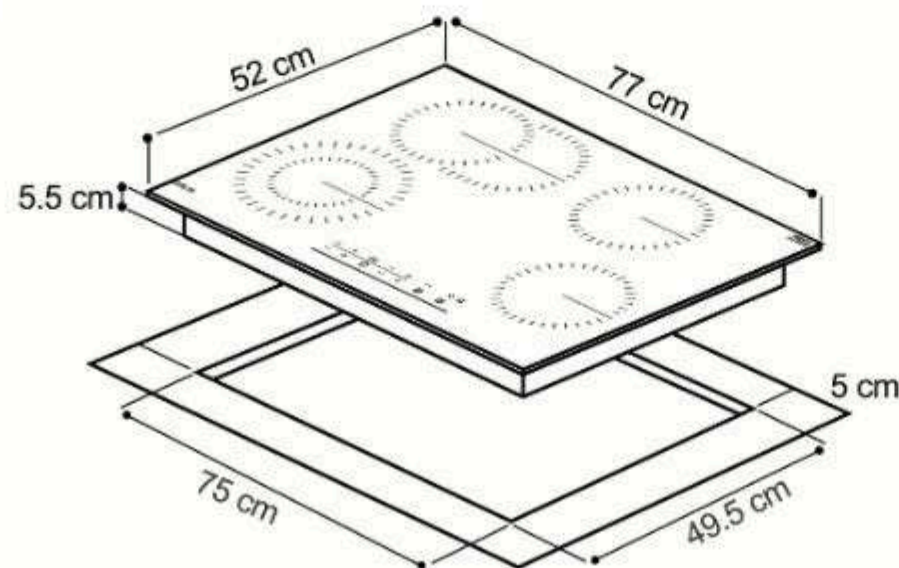
1.0- 2.2 kw

1.1 - 2.0 kw



1.2kw

1.8 kw



Certification

**CB**

**10** AÑOS/YEARS  
GARANTIA/WARRANTY  
EN VITRO / IN VITRO  
SCHOTT CERAN®



## POD



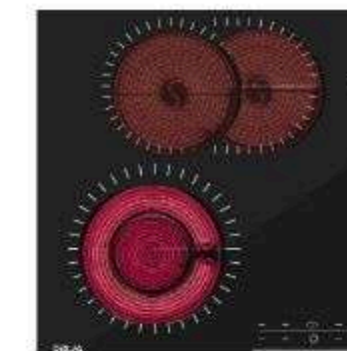
### Wide 76 cm format

Its 76 cm width provides more space between cooking zones, allowing you to prepare multiple dishes with greater comfort.



### 9 power levels for each zone

Allows precise heat adjustment for different preparations, from melting to boiling.



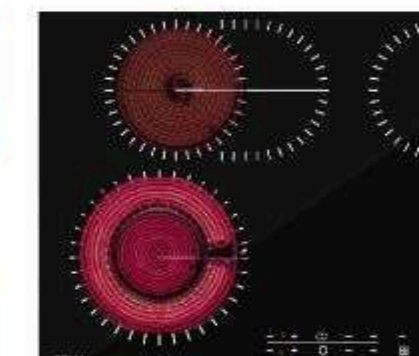
### Dual Flex zone

Features expandable zones that adapt to the size of your cookware for more versatile cooking.



### Child Lock

Locks the touch controls to prevent accidental use and provide greater safety in the kitchen.



### Residual heat indicator

Alerts when the surface is still hot, allowing safer and more efficient use of remaining heat.



### Digital panel

The touch sensor control panel allows easy and precise temperature adjustment, without the need for knobs.

### PODs

- Overheat protection.

## spec.

### Size

**Dimensions (cm)**  
(W x D x H))

### Materials

### Net weight

### Radiant burner

### Control

### Power

### Voltage

### Ignition system

76 cm

77 x 52 x 5.5

SCHOTT CERAN black glass ceramic hob | beveled edges

12.40 kg

EGO

Slider touch

7.2 kw

220 - 240 V/ 50- 60 Hz

Electrical | 1 to 99 minutes shut-down timer

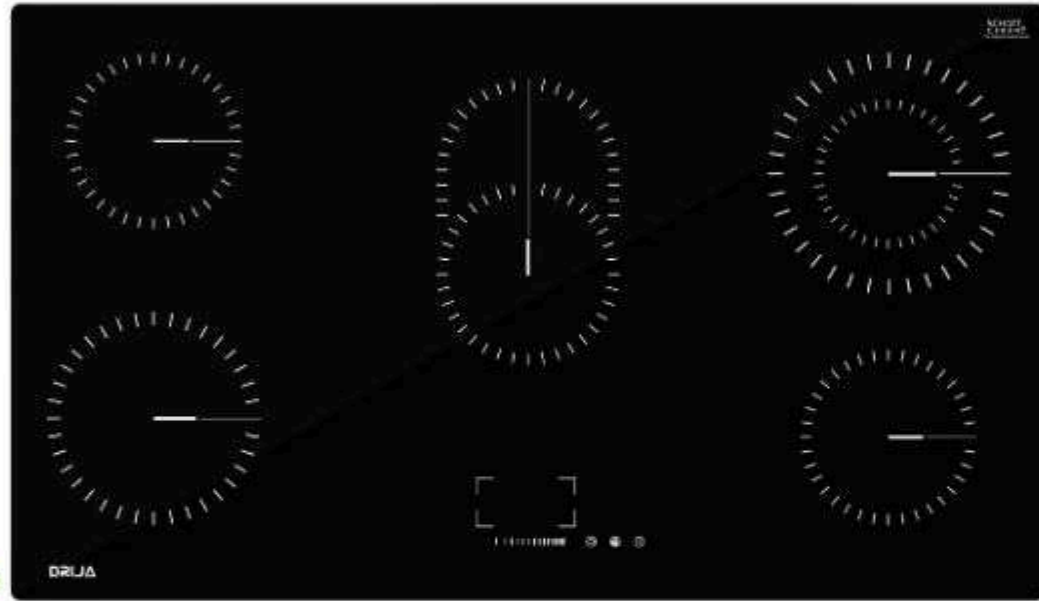
### BERLÍN 90

**1 YEAR**  
warranty

**DR**

1.1 - 2.0 kw

1.2 kw



1.0 - 2.2 kw

1.2 kw

## POD



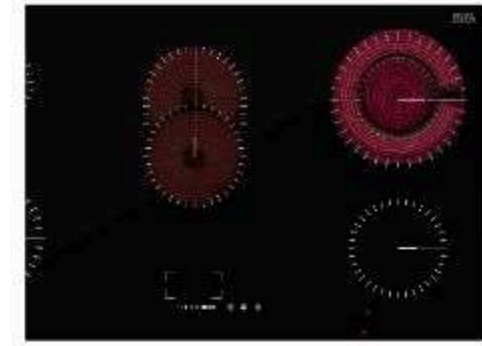
### Wide size for greater comfort

With an 87 cm width, it is ideal for those who need more space between burners or cook in large quantities.



### 9 power levels for each zone

Allows precise heat adjustment for different preparations, from melting to boiling.



### Dual Flex zone

Features expandable zones that adapt to the size of your cookware for more versatile cooking.



### Child Lock

Locks the touch controls to prevent accidental use and provide greater safety in the kitchen.



### Residual heat indicator

Alerts when the surface is still hot, allowing safer and more efficient use of remaining heat.

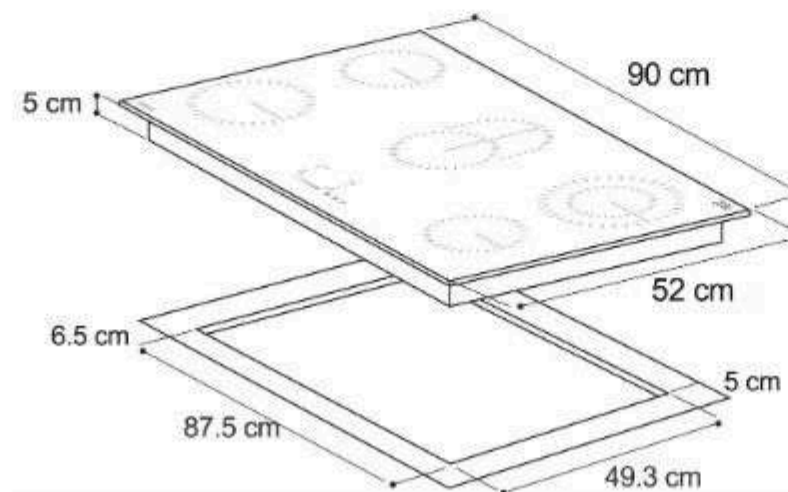


### Digital panel

The touch sensor control panel allows easy and precise temperature adjustment, without the need for knobs.

### PODs

- Overheat protection,



## spec.

**Size**  
**Dimensions (cm)**  
(W x D x H)  
**Materials**  
**Net weight**  
**Radiant burner**  
**Control**  
**Power**  
**Voltage**  
**Ignition system**

90 cm  
90 x 52 x 5.5  
SCHOTT CERAN black glass ceramic hob | beveled edges  
11 kg  
EGO  
Slider touch  
8.4 kw  
220 - 240 V/ 50- 60 Hz  
Electrical | 1 to 99 minutes shut-down timer

Certification

**CB**

**10** AÑOS/YEARS  
GARANTÍA/WARRANTY  
EN VITRO / IN VITRO  
SCHOTT CERAN®





# DUAL COOKTOPS

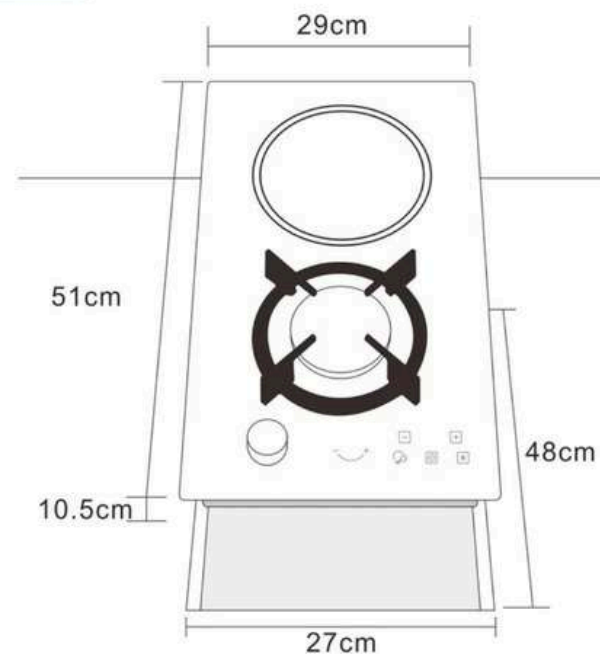
- SICILIA 30
- SICILIA TOUCH 60
- SICILIA TOUCH 76
- SICILIA TOUCH 90

### SICILIA 30



1.5 kw

10000 BTU



## POD



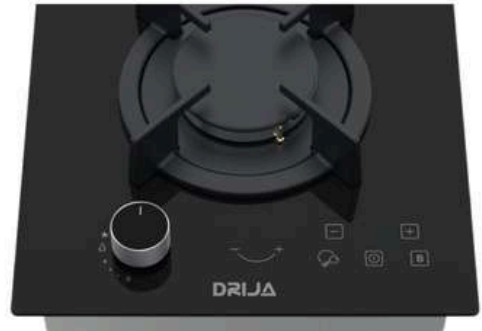
### All-in-one versatility: gas and electric cooking

Enjoy the best of both worlds with flexible cooking options for every recipe.



### Cast iron grates

Durable cast iron grates stand up to intense use and high heat, offering a solid and stable base for your pots and pans.



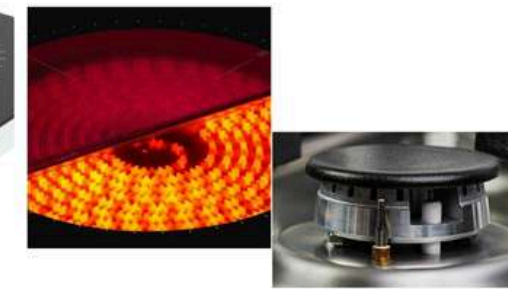
### Elegance meets easy maintenance

The vitroceramic cooktop is not only elegant, but also super easy to clean—less effort, more shine.



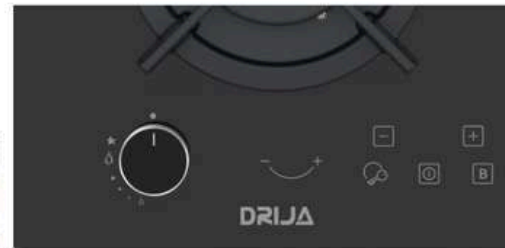
### Premium design with built-in safety

Luxury knobs, convenient electric ignition, and a safety valve let you cook with confidence, style, and precision.



### Total versatility in your kitchen

Combine a high-performance gas burner (3.0 kW) and an Electric EIKA radiant element (1.5 kW) on a sleek vitroceramic surface – the perfect blend of power and precision.



### Heat indicator and child lock for added safety

Cook with peace of mind. The radiant element features a heat indicator to warn if the surface is still hot, while the child lock prevents accidental activation.

## spec.

<b>Size</b>	30"
<b>Dimensions (cm)</b> (W x D x H)	29 x 51 x 10.5
<b>Materials</b>	Glass ceramic   Cast iron grates
<b>Weight</b>	5.4 kg
<b>Burners</b>	Drija   Aluminum   10 years warranty
<b>Control</b>	EIKA radiant focus knobs   Slider Touch
<b>Gas nozzles</b>	LGP gas
<b>Power</b>	10,000 BTU - 1.5kw
<b>Voltage</b>	110V/50-60Hz
<b>Ignition system</b>	Electric

### PODs

- 9 Power Levels
- Includes conversion kit, 1 nozzles for natural gas.
- EIKA radiant heater.



### SICILIA TOUCH 60

**1 YEAR**  
warranty



6141 BTU

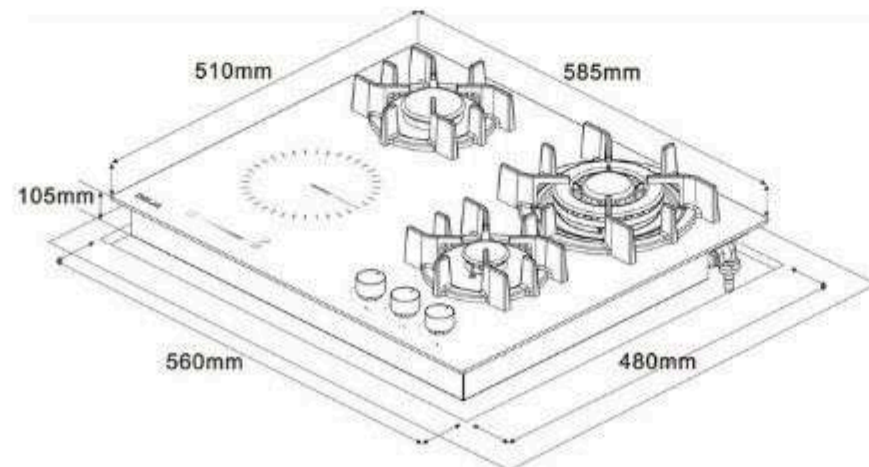


11601 BTU

3412 BTU

1.2 - kw

Diameter: 16.5cm



## POD



### All-in-one versatility: gas and electric cooking

Enjoy the best of both worlds with flexible cooking options for every recipe.



### Elegant and functional vitroceramic cooktop

Modern finish that makes cleaning easier and improves heat distribution on the electric burners.



### Child lock system

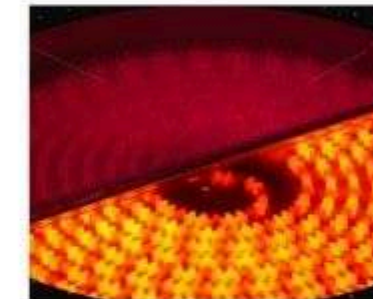
The child lock system on the touch control panel prevents little ones from accidentally turning on or changing the stove's settings, offering greater safety and peace of mind at home.



### Versatility with 3 burners

- Triple ring burner
- Rapid burner
- Semi-rapid burner

Ideal for everything from delicate sauces to intense cooking.



### 1 radiant heater

This radiant electric element ensure instant ignition on a sleek vitroceramic surface that makes cleaning easy while enhancing your kitchen's design.



### Dual control: Knobs y slider touch

Manage your stove the way you want: with touch controls for the electric side and knobs for the gas burners.

## spec.

### Size

**Dimensions (cm)**  
(W x D x H)

### Materials

### Weight

### Burners

### Control

### Gas nozzles

### Power

### Voltage

### Ignition system

58.5 cm

58.5 x 51 x 10.5

Glass ceramic | Cast iron grates

11.4 kg

Drija | Aluminium | 10 years warranty|

EGO radiant focus  
knobs- slider touch

LGP gas

21,154 BTU - 1.2 kw

220V- 240 V /50-60Hz

Electric

## PODs

- 9 Power Levels
- Includes conversion kit, 3 nozzles for natural gas.
- 1 gas connector elbow.
- 1 gas connector.
- Ego radiant heater



### SICILIA TOUCH 76

**1 YEAR**  
warranty

**DR**

11601 BTU

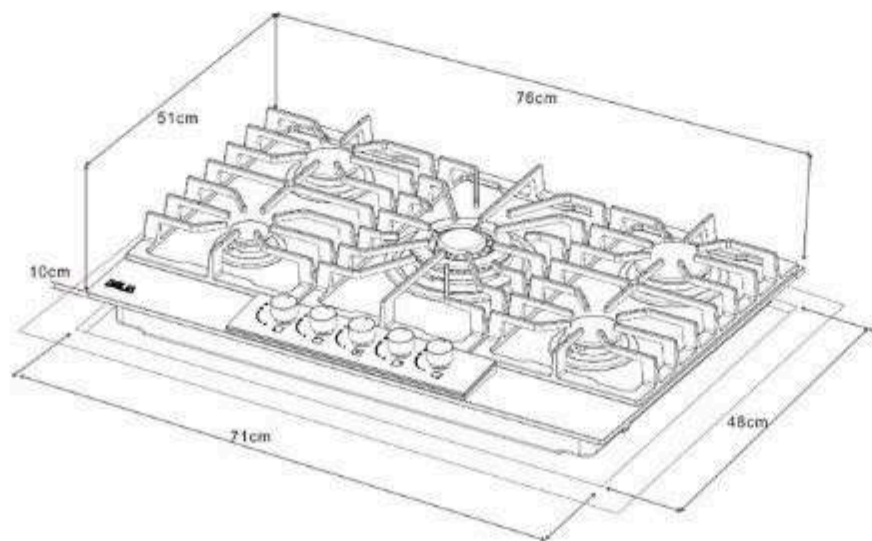
8189 BTU

6141 BTU



1.8 kw  
20cm diameter

1.2 kw  
16.5cm diameter

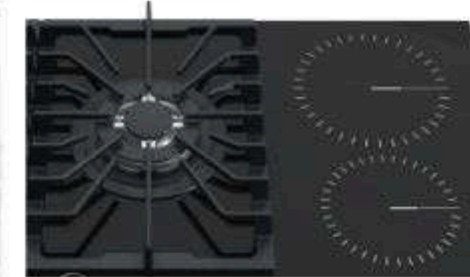


## POD



### All-in-one versatility: gas and electric cooking

Enjoy the best of both worlds with flexible cooking options for every recipe.



### Cast iron grates

Heavy-duty cast iron grate built to withstand high heat and frequent use. A solid base for all your pots and pans.



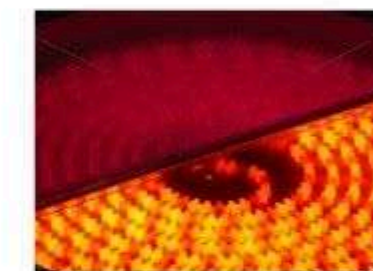
### Protection for the whole family

The child lock system on the touch control prevents children from accidentally turning on or operating the cooktop, providing greater safety and peace of mind at home.



### Dual Gas + Electric System

Combines 3 gas burners with 2 electric zones for precise and versatile heat control.



### 2 radiant heaters

These radiant electric elements ensure instant ignition on a sleek vitroceramic surface that makes cleaning easy while enhancing your kitchen's design.



### Dual control: knobs and touch slidercator

Operate your cooktop the way you prefer—touch controls for greater precision or knobs for a more traditional, practical experience.

## spec.

### Size

**Dimensions (cm)**  
(W x D x H)

### Materials

### Weight

### Burners

### Control

### Gas nozzles

### Power

### Voltage

### Ignition system

76 cm

76 x 51 x 10.5

Glass ceramic | Cast iron grates

11.4 kg

Aluminum Drija | Radiant focus: EGO

Knobs + slider touch

GLP gas

25,932 BTU - 3 kw

220V | 50-60Hz

Electric

## PODs

- Cast iron griddle
- Continuous grate
- Includes conversion kit with 3 nozzles for natural gas
- 1 gas connector elbow
- 1 gas connector
- Radiant element: EGO

### SICILIA TOUCH 90

**1 YEAR**  
warranty

**DR**

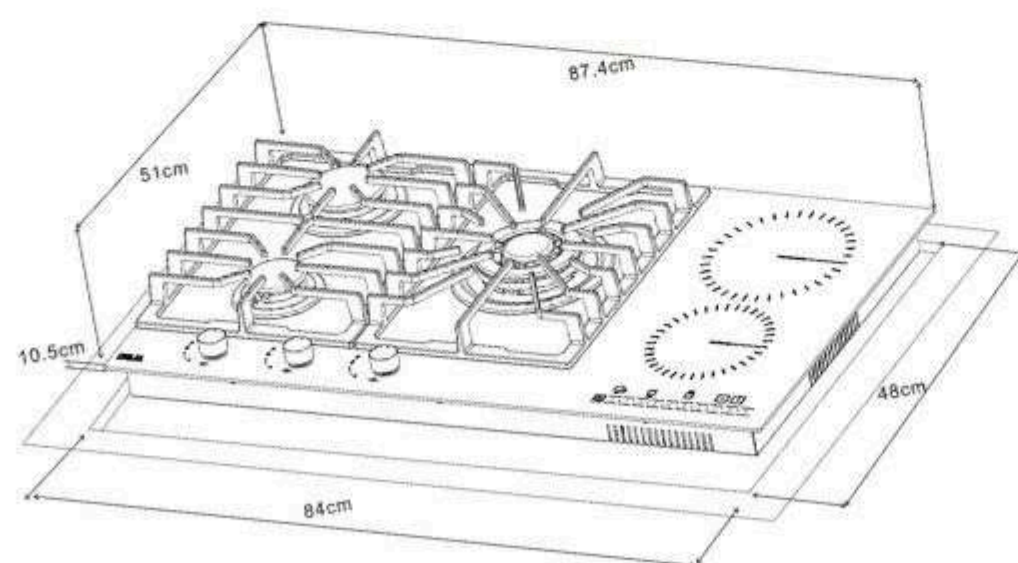
**11601 BTU**

8189 BTU

6141 BTU

**1.8 kw**  
20cm diameter

**1.2 kw**  
16.5cm diameter

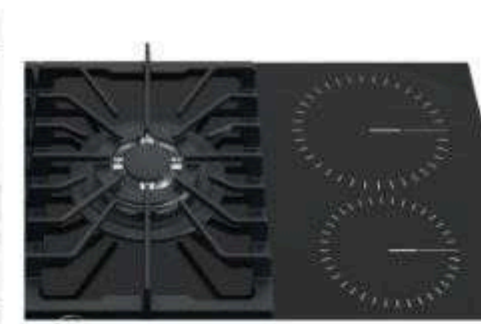


**10** AÑOS/YEARS  
GARANTIA/WARRANTY  
EN QUEMADORES / ON BURNERS  
DRIJA

## POD



**All-in-one versatility: gas and electric cooking**  
Enjoy the best of both worlds with flexible cooking options for every recipe.



**Elegant and functional vitroceramic cooktop**  
Modern finish that makes cleaning easier and improves heat distribution on the electric burners.



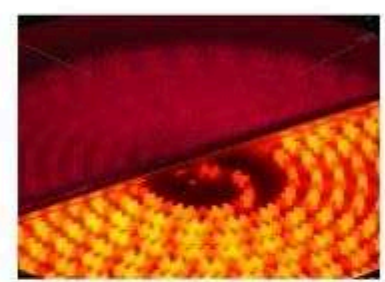
**Child lock system**  
The child lock system on the touch control panel prevents little ones from accidentally turning on or changing the stove's settings, offering greater safety and peace of mind at home.



**Versatility with 3 burners**

- Triple ring burner
- Rapid burner
- Semi-rapid burner

Ideal for everything from delicate sauces to intense cooking.



**2 Radiant heater**  
These radiant electric elements ensure instant ignition on a sleek vitroceramic surface that makes cleaning easy while enhancing your kitchen's design.



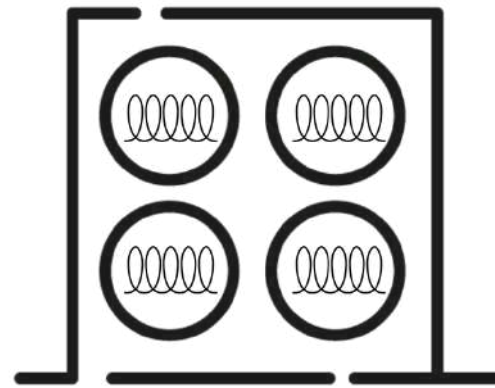
**Dual control: Knobs y slider touch**  
Manage your stove the way you want: with touch controls for the electric side and knobs for the gas burners.

## spec.

<b>Size</b>	90 cm
<b>Dimensions (cm)</b> <small>(W x D x H)</small>	87.4 x 51 x 10.5
<b>Materials</b>	Glass ceramic   Cast iron grates   Cast iron griddle
<b>Weight</b>	16.9 kg
<b>Burners</b>	Drija   Aluminium   10 years warranty   EGO radiant focus knobs- slider touch
<b>Control</b>	LGP gas
<b>Gas nozzles</b>	25,932 BTU - 3 kw
<b>Power</b>	220V   50-60Hz
<b>Voltage</b>	Electric
<b>Ignition system</b>	

- PODs**
- Cast iron griddle.
  - Continuous cast iron grates.
  - 9 Power Levels
  - Includes conversion kit, 3 nozzles for natural gas.
  - 1 gas connector elbow.
  - 1 gas connector.
  - Ego radiant heater

\*\*\*Some images are for illustrative purposes only.



# INDUCTION COOKTOPS

- MÚNICH 30 INDUKTION
- MÚNICH 60 INDUKTION
- MÚNICH 76 INDUKTION
- MÚNICH 90 INDUKTION

### MUNICH 30 INDUKTION

**1 YEAR**  
warranty

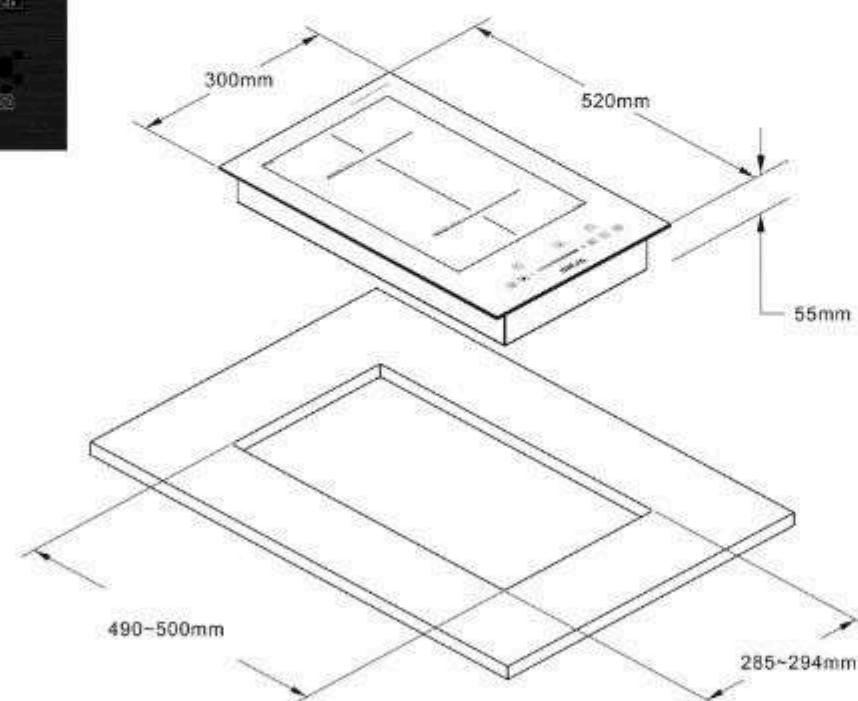


**Flex zone**  
2.5 - 3.0 kw



2.2 - 2.5 kw

2.5 - 3.0 kw



#### Efficiency & Sustainability

It's precise, eco-friendly, and more energy-efficient, safe, and controllable than other options. It transfers more energy, targets heat exactly where it's needed, and helps reduce overall consumption.



### POD



#### Touch control panel

Control all functions with a single touch. The digital touch panel makes it easy to adjust power, set the timer, or lock the cooktop – all with precision and ease.



#### Automatic pot sensor

Detects the presence of cookware instantly and activates the cooking zone only when a compatible pan is in place – for safer, smarter energy use



#### Flex Zone

The cooking zone automatically adapts to the size of your cookware, delivering precise heat only where it's needed.



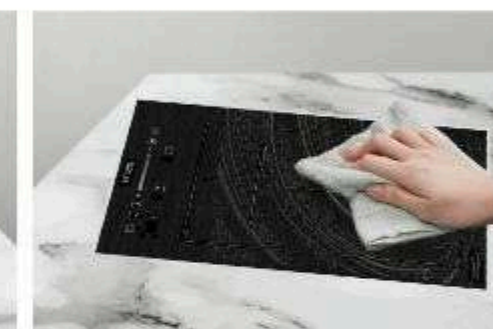
#### 8 Power levels for precise cooking

From gentle melting to rapid boiling, choose the exact heat level you need for every recipe.



#### Automatic shut-off timer

Set your cooking time and forget the clock – the cooktop turns off automatically, preventing overcooking or distractions.



#### Easy-to-Clean Surface

The scratch-resistant surface maintains its flawless appearance, even with daily use.

### spec.

#### Size

30 cm

#### Dimensions (cm) (W x D x H)

30.3 x 52 x 5.5

#### Materials

Black scratch-resistant glass ceramic - Aluminium edges | 10-Year Warranty

#### Net weight Temporizador Control

5.8 kg

Sleep Timer 99 min

Touch panel

#### Power Voltage

3700 W

208-240/ 60 Hz

#### Induction material

Cooper

### PODs

- Overheat protection
- Child lock
- Residual heat indicator
- 99-minute auto shut-off timer

### MUNICH 60 INDUKTION

**1 YEAR**  
warranty

**DR**

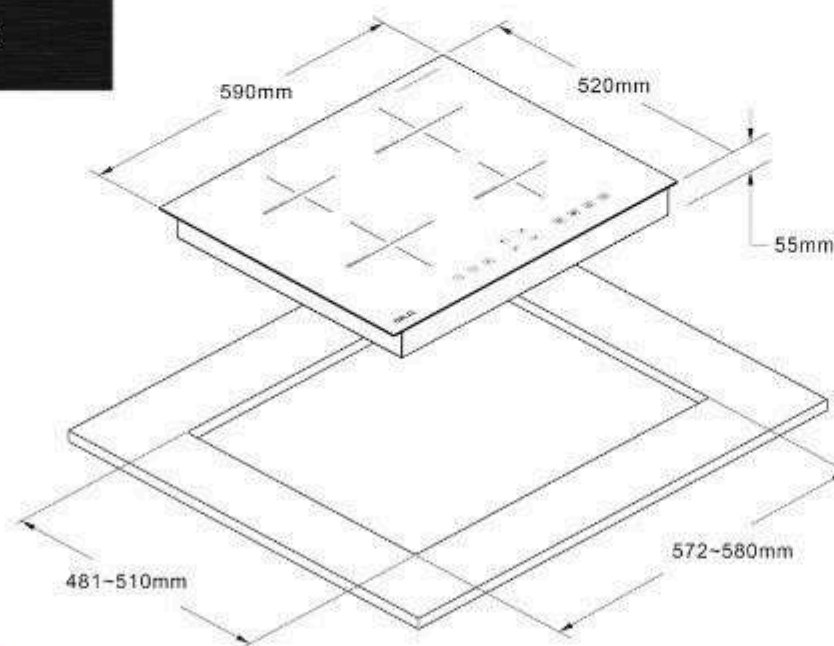
1.6- 2.7 kw

2.1 - 2.7 kw



2.1- 2.7 kw

1.6- 2.0 kw



#### Efficiency & Sustainability

It's precise, eco-friendly, and more energy-efficient, safe, and controllable than other options. It transfers more energy, targets heat exactly where it's needed, and helps reduce overall consumption.



### POD



#### Touch control panel

Control all functions with a single touch. The digital touch panel makes it easy to adjust power, set the timer, or lock the cooktop – all with precision and ease.



#### Automatic pot sensor

Detects the presence of cookware instantly and activates the cooking zone only when a compatible pan is in place – for safer, smarter energy use



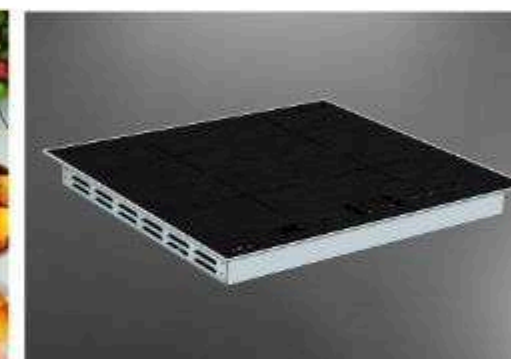
#### glass ceramic - Aluminium edges

Elegant, durable, and easy to clean. The Aluminium trim protects the glass and adds a modern touch to your kitchen.



#### 10 Power Levels for Precise Cooking

From a gentle melt to a rapid boil, you can select the exact heat level you need



#### Automatic shut-down timer

Set your cooking time and forget the clock – the cooktop turns off automatically, preventing overcooking or distractions.



#### Scratch-resistant glass ceramic for heavy use

The scratch-resistant surface maintains its flawless appearance, even with daily use.

### spec.

#### Size

60 cm

#### Dimensions (cm) (W x D x H)

59.3 x 52 x 5.5

#### Materials

Black scratch-resistant glass ceramic - Aluminium edges | 10-Year Warranty

#### Net weight Temporizador Control

10,6 kg  
Automatic shut-down with 99-minute timer  
Touch panel

#### Power Voltage

7400 W  
220- 240/ 60 Hz

#### Induction material

Cooper

### PODs

- Overheat protection
- Child lock
- Residual heat indicator
- 99-minute auto shut-off timer

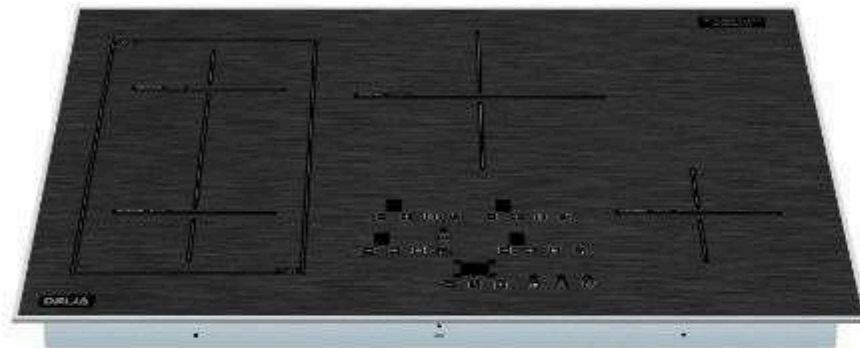
## MUNICH 76 INDUKTION

**1 YEAR** warranty **DR**

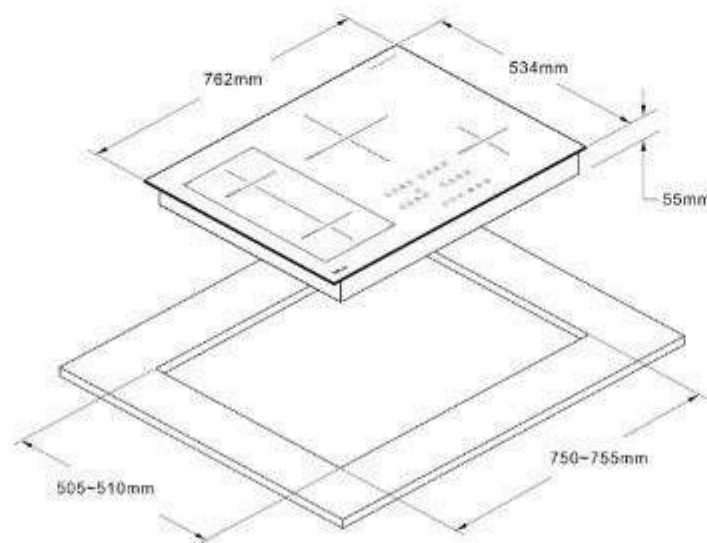
**Flex zone**  
2.5 - 3.0 kw 3.0 -4.0 kw

1.6 - 2.2 kw

2.1 - 2.5 kw



1.0 - 1.2 kw



### Efficiency & Sustainability

It's precise, eco-friendly, and more energy-efficient, safe, and controllable than other options. It transfers more energy, targets heat exactly where it's needed, and helps reduce overall consumption.



## POD



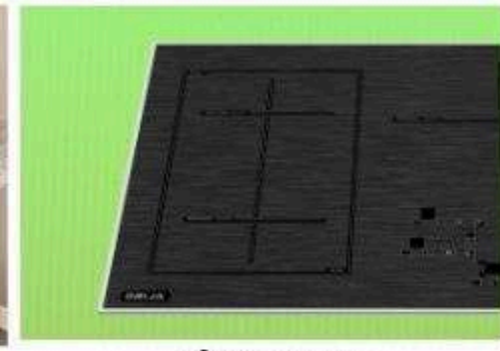
### Touch control panel

Control all functions with a single touch. The digital touch panel makes it easy to adjust power, set the timer, or lock the cooktop – all with precision and ease.



### Automatic pot sensor

Detects the presence of cookware instantly and activates the cooking zone only when a compatible pan is in place – for safer, smarter energy use



### Flex Zone

The cooking zone automatically adjusts to the size of your cookware, delivering precise heat only where it's needed.



### 10 Power Levels for Precise Cooking

From a gentle melt to a rapid boil, you can select the exact heat level you need



### Automatic shut-down timer

Set your cooking time and forget the clock – the cooktop turns off automatically, preventing overcooking or distractions.



### Scratch-resistant glass ceramic for heavy use

The scratch-resistant surface maintains its flawless appearance, even with daily use.

## spec.

<b>Size</b>	76 cm
<b>Dimensions (cm)</b> (W x D x H)	76.5 x 53.4 x 5.5
<b>Materials</b>	Black scratch-resistant glass ceramic - Aluminium edges   10-Year Warranty
<b>Net weight</b>	13.50 kg
<b>Temporizador</b>	Automatic shut-down with 99-minute timer
<b>Control</b>	Touch panel
<b>Power</b>	7700 W
<b>Voltage</b>	208- 240/ 60 Hz
<b>Induction material</b>	Cooper

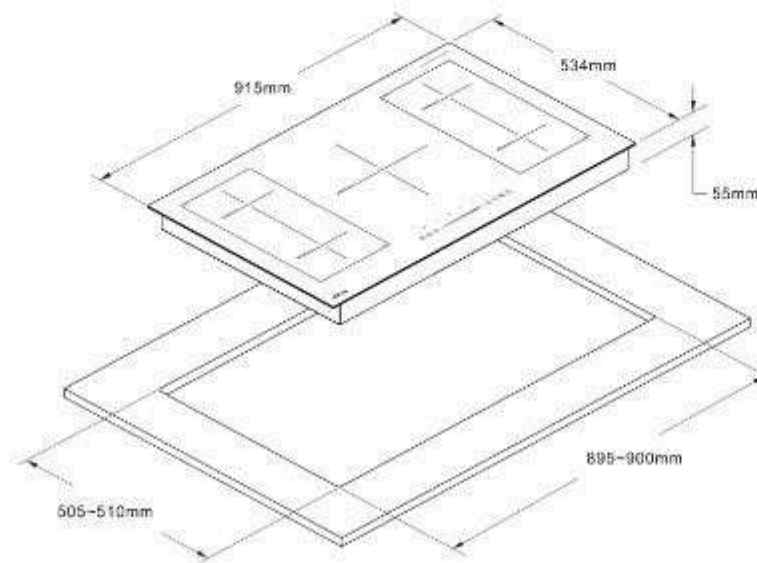
### PODs

- Overheat protection
- Child lock
- Residual heat indicator
- 99-minute auto shut-off timer

\*\*\*Some images are for illustrative purposes only.

## MUNICH 90 INDUKTION

**1 YEAR**  
warranty



### Efficiency & Sustainability

It's precise, eco-friendly, and more energy-efficient, safe, and controllable than other options. It transfers more energy, targets heat exactly where it's needed, and helps reduce overall consumption.



## POD



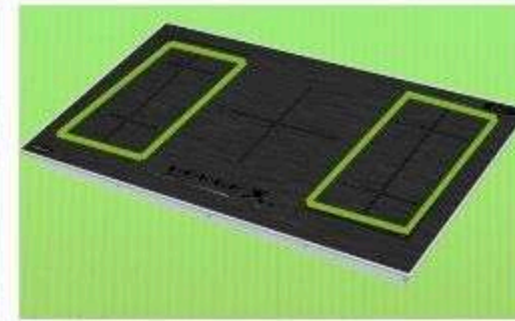
### Touch control panel

Control all functions with a single touch. The digital touch panel makes it easy to adjust power, set the timer, or lock the cooktop – all with precision and ease.



### Automatic pot sensor

Detects the presence of cookware instantly and activates the cooking zone only when a compatible pan is in place – for safer, smarter energy use



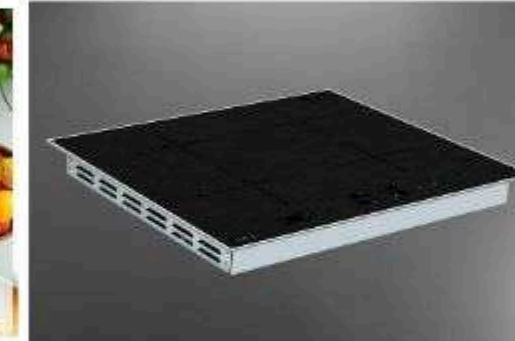
### Dual Flex Zone for Maximum Versatility

Two flexible cooking zones that adapt to different pot and pan sizes and shapes – perfect for griddles, large pots, or multiple pans at once.



### 10 Power Levels for Precise Cooking

From a gentle melt to a rapid boil, you can select the exact heat level you need



### Automatic shut-off timer

Set your cooking time and forget the clock – the cooktop turns off automatically, preventing overcooking or distractions.



### Scratch-resistant glass ceramic for heavy use

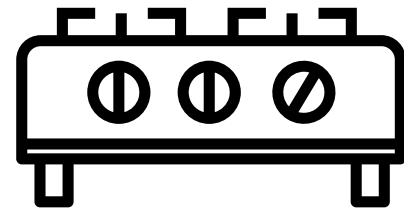
The scratch-resistant surface maintains its flawless appearance, even with daily use.

## spec.

<b>Size</b>	90 cm
<b>Dimensions (cm)</b> (W x D x H)	91.8 x 53.4 x 5.5
<b>Materials</b>	Black scratch-resistant glass ceramic - Aluminium edges   10-Year Warranty
<b>Net weight</b>	14.60 kg
<b>Temporizador</b>	Automatic shut-down with 99-minute timer
<b>Control</b>	Touch panel
<b>Power</b>	11400 W
<b>Voltage</b>	208- 240/ 60 Hz
<b>Induction material</b>	Cooper

## PODs

- Overheat protection
- Child lock
- Residual heat indicator
- 99-minute auto shut-off timer



# TABLETOP COOKTOP

- POTENZA 76
- POTENZA 90

### POTENZA 76

**1 YEAR** warranty **DR**



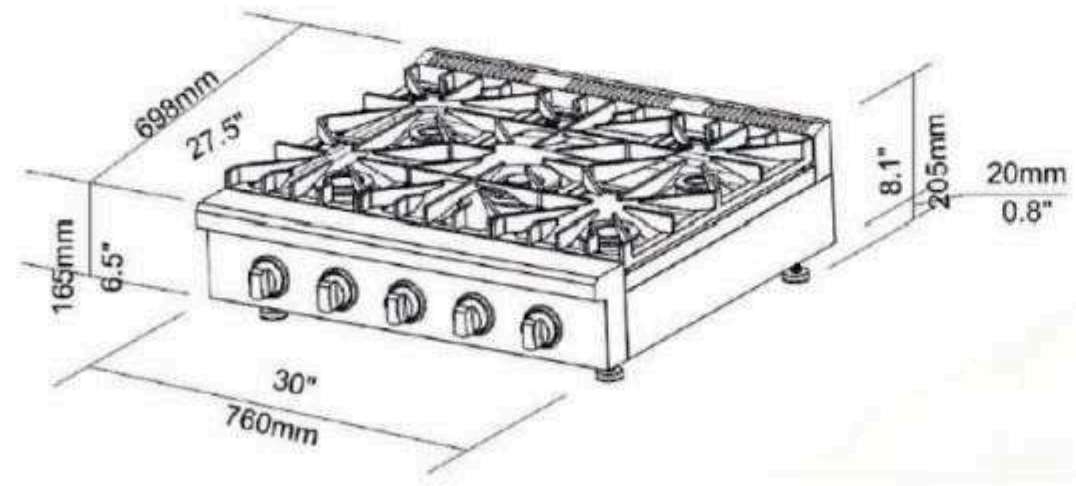
9500 BTU

16,000 BTU

19000 BTU

9500 BTU

16,000 BTU



## POD



### Robust aesthetics for high-performance cooking.

It's robust and radiates durability, with a stainless steel finish that ensures hygiene and functionality. The cast iron grates emphasize its ability to withstand any cookware, while the metal knobs allow for precise control.



### Maximum culinary power

Experience the power and versatility of our 19,000 BTU burner. From delicate preparations to high heat for large family meals and restaurant-quality dishes, you'll have complete control.



### Continuous cast iron grates

Our continuous cast iron cooking grids offer stability and durability, supporting cookware of any size for safe, free-flowing cooking.



### Steel Handles

Total control with professional-style knobs. They offer a firm grip and precise response for adjusting your burners with confidence, along with durability and a sophisticated touch to your kitchen.



### DEFENDI burners with safety valves

Experience culinary excellence with five DEFENDI burners, designed for long-lasting efficiency, and featuring an integrated safety valve that shuts off the gas if no flame is detected.



### Cast iron griddle

Perfect for grilling, searing meats, or preparing breakfasts. A versatile option that expands your cooking possibilities.

## spec.

<b>Size</b>	76 cm
<b>Dimensions (cm)</b> (W x D x H)	76 x 69.8 x 16.5
<b>Materials</b>	Brushed Stainless steel   cast iron
<b>Weight</b>	32 kg
<b>Burners</b>	DEFENDI   Aluminium
<b>Control</b>	Knobs
<b>Gas bags</b>	LPG gas
<b>Power</b>	70000 BTU
<b>Voltage</b>	120V/ 60HZ
<b>Ignition system</b>	Electric

### PODs

- Includes 5 nozzle conversion kit for natural gas.



\*\*\*Some images are for illustrative purposes only.

### POTENZA 90

**1 YEAR** warranty **DR**

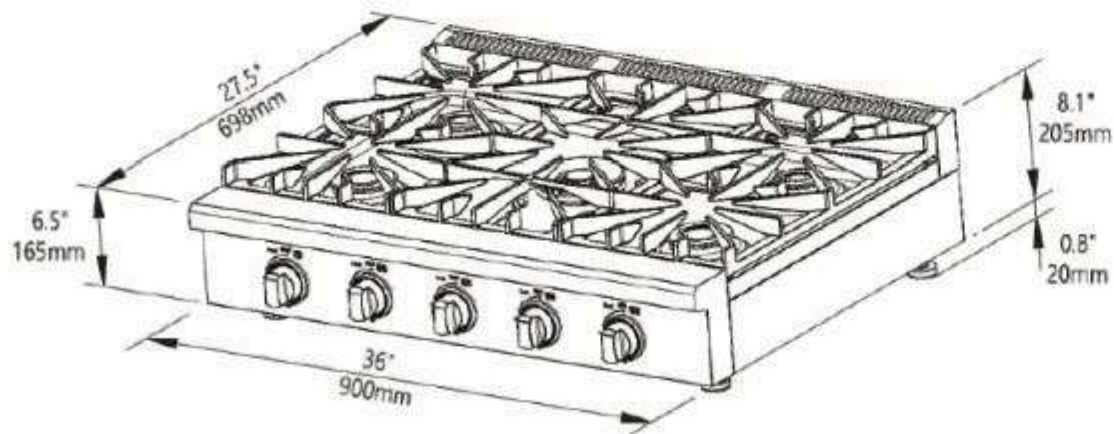
19000 BTU

9500 BTU

9500 BTU

16,000 BTU

16,000 BTU



**10 YEARS WARRANTY ON BURNERS**  
DEFENDI

## POD



### Robust aesthetics for high-performance cooking.

It's robust and radiates durability, with a stainless steel finish that ensures hygiene and functionality. The cast iron grates emphasize its ability to withstand any cookware, while the metal knobs allow for precise control.



### Steel Handles

Total control with professional-style knobs. They offer a firm grip and precise response for adjusting your burners with confidence, along with durability and a sophisticated touch to your kitchen.



### Maximum culinary power

Experience the power and versatility of our 19,000 BTU burner. From delicate preparations to high heat for large family meals and restaurant-quality dishes, you'll have complete control.



### Continuous cast iron grates

Our continuous cast iron cooking grids offer stability and durability, supporting cookware of any size for safe, free-flowing cooking.



### DEFENDI burners with safety valves

Experience culinary excellence with five DEFENDI burners, designed for long-lasting efficiency, and featuring an integrated safety valve that shuts off the gas if no flame is detected.



### Cast iron griddle

Perfect for grilling, searing meats, or preparing breakfasts. A versatile option that expands your cooking possibilities.

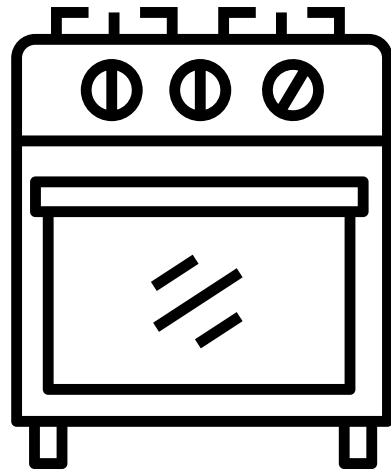
## spec.

<b>Size</b>	90 cm
<b>Dimensions (cm)</b> (W x D x H)	90 x 69.8 x 16.5
<b>Materials</b>	Brushed Stainless steel   cast iron
<b>Weight</b>	32 kg
<b>Burners</b>	DEFENDI   Aluminium
<b>Control</b>	Knobs
<b>Gas bags</b>	LPG gas
<b>Power</b>	70000 BTU
<b>Voltage</b>	120V/ 60HZ
<b>Ignition system</b>	Electric

### PODs

- Includes 5 nozzle conversion kit for natural gas.

\*\*\*Some images are for illustrative purposes only.



## STOVES

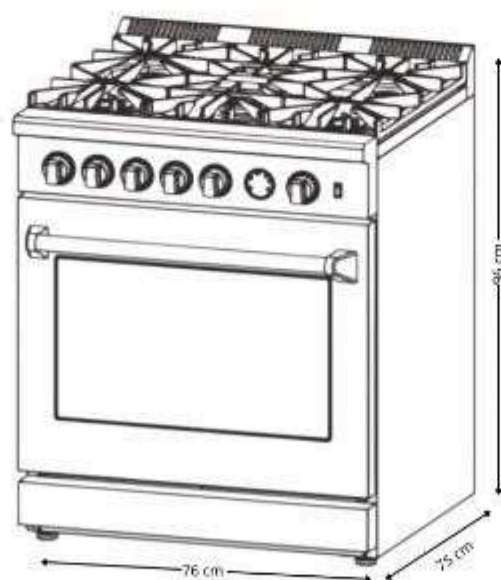
- VENEZIA 76
- VENEZIA 90

### VENECIA 76

**1 YEAR** warranty **DR**



16000 BTU



#### Accesories

- Air fryer basket, grill, gas conversion kit
- 2 chrome racks + 4 height levels
- Cast iron griddle

### POD



#### Sturdy design for high-performance cooking

Built to last, with an Stainless steel finish that ensures hygiene and functionality. The cast iron grates handle any cookware, while the metal knobs provide precise control.



#### Maximum culinary power

Its 19,000 BTU burner gives you full control for delicate preparations or intense heat for professional-quality dishes. Cook fast, evenly, and with impressive results.



#### Continuous cast iron grates

Our continuous cast iron cooking grates provide stability and durability, supporting cookware of any size for safe and unrestricted cooking.



#### Large capacity

Spacious interior, ideal for cooking multiple dishes at once or using large cookware. Perfect for families or those who love to bake frequently.



#### Convection system

Cook your recipes evenly thanks to the internal fan that distributes heat uniformly, delivering consistent results without the need to rotate trays.



#### Hydrolytic oven

The steam cleaning function softens dirt stuck to the oven cavity without the need for chemicals. The generated steam makes residue removal easier, speeding up and simplifying the cleaning process.

### spec.

<b>Size</b>	76 cm
<b>Dimensions (cm)</b> <small>(W x D x H)</small>	76 x 75 x 96
<b>Materials</b>	Black enamel   Stainless steel 430   Cast iron
<b>Capacity   Weight</b>	4.23Ft 3 - 120 L   86.3 kg
<b>Burners</b>	DEFENDI   Aluminium   10-year warranty
<b>Control</b>	Knobs
<b>Type of oven</b>	Gas with convection
<b>Power</b>	86000 BTU
<b>Voltage</b>	120V/ 60HZ

#### PODs

- Defendi burners | 7 safety valves.
- Electric oven ignition.
- Thermometer and thermostat.
- Interior lighting.
- Triple-glass door.
- Ventilation grill.
- Leveling feet.

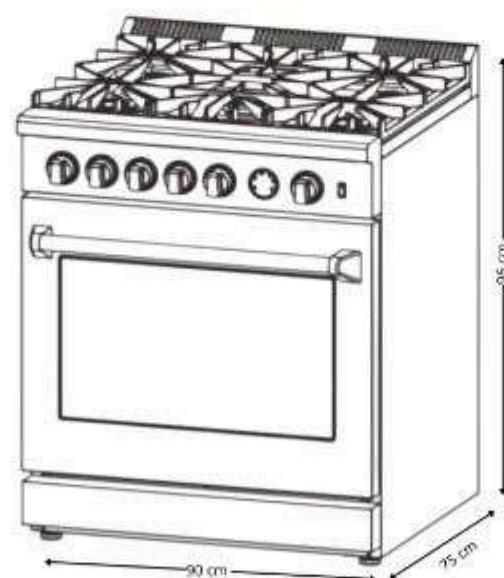


### VENECIA 90

**1 YEAR** warranty **DR**



18000 BTU



#### Accesories

- Air fryer basket, grill, gas conversion kit
- 2 chrome racks + 4 height levels
- Cast iron griddle

### POD



#### Sturdy design for high-performance cooking

Built to last, with an Stainless steel finish that ensures hygiene and functionality. The cast iron grates handle any cookware, while the metal knobs provide precise control.



#### Maximum culinary power

Its 19,000 BTU burner gives you full control for delicate preparations or intense heat for professional-quality dishes. Cook fast, evenly, and with impressive results.



#### Continuous cast iron grates

Our continuous cast iron cooking grates provide stability and durability, supporting cookware of any size for safe and unrestricted cooking.



#### Large capacity

Spacious interior, ideal for cooking multiple dishes at once or using large cookware. Perfect for families or those who love to bake frequently.



#### Convection system

Cook your recipes evenly thanks to the internal fan that distributes heat uniformly, delivering consistent results without the need to rotate trays.



#### Hydrolytic oven

The steam cleaning function softens dirt stuck to the oven cavity without the need for chemicals. The generated steam makes residue removal easier, speeding up and simplifying the cleaning process.

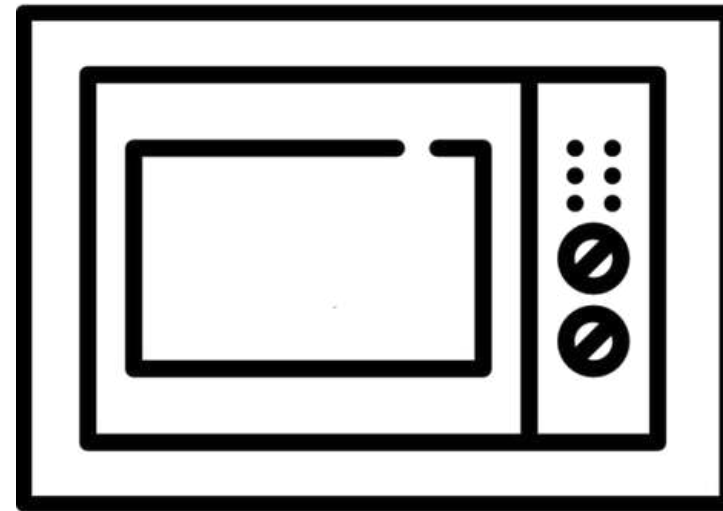
### spec.

<b>Size</b>	90 cm
<b>Dimensions (cm)</b> <small>(W x D x H)</small>	90 x 75 x 96
<b>Materials</b>	Black enamel   Stainless steel 430   Cast iron
<b>Capacity   Weight</b>	5.1 Ft 3 - 145 L   101 kg
<b>Burners</b>	DEFENDI   Aluminium   10-year warranty
<b>Control</b>	Knobs
<b>Type of oven</b>	Gas with convection
<b>Power</b>	88000 BTU
<b>Voltage</b>	120V/ 60HZ

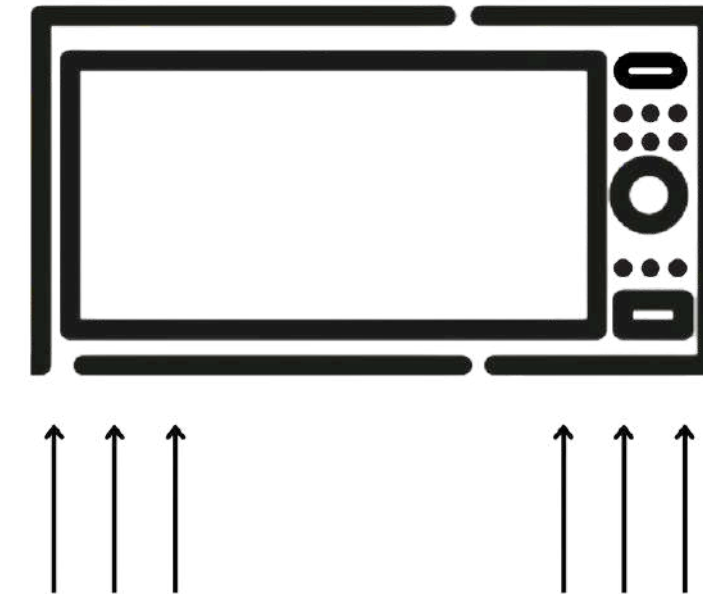
#### PODs

- Defendi burners | 7 safety valves.
- Electric oven ignition.
- Thermometer and thermostat.
- Interior lighting.
- Triple-glass door.
- Ventilation grill.
- Leveling feet.

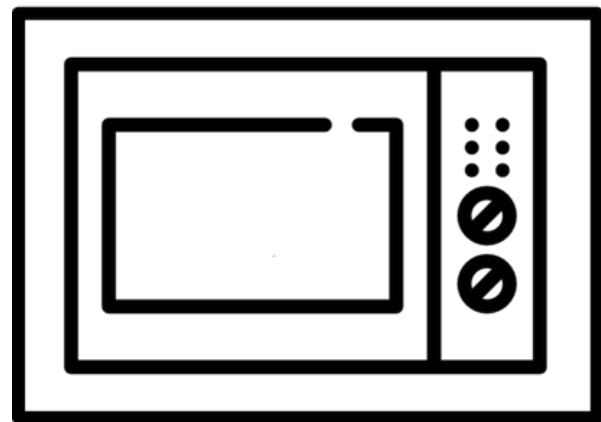
# MICROWAVES



**BUILT-IN  
MICROWAVE**



**OVER THE  
RANGE**



## BUILT-IN MICROWAVES

- FLORENCIA 25L BLACK
- SORRENTO 25L BLACK
- NAPOLI 25L BLACK
- VÉNETO 62L BLACK
- VÉNETO 62L BLACK-I
- EMPOLI 62L -I

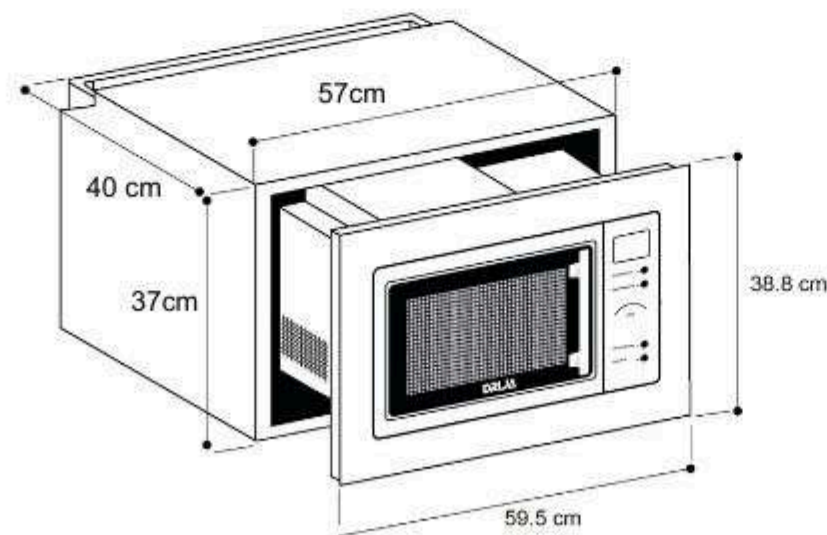
### FLORENCIA BLACK 25L

**1 YEAR**  
warranty

**DR**



**Power** 900 W  
**Grill power** 1000 W



## POD



### Stainless steel cavity

More durable, easy to clean, and designed to reflect microwaves better for more efficient cooking.



### Adaptive power for every need

From gently defrosting to quickly and efficiently heating or cooking, this system simplifies operation without sacrificing precision, delivering optimal results



### Quartz grill

Instant heat for crispy, golden finishes with no waiting time. Surrounding heat is distributed directly and evenly. Its compact design allows for a larger, easier-to-clean cavity.



### Built-in design with trim

Combines style and functionality for a harmonious, practical, and built-in kitchen.



### Defrost by weight and time

Ensures efficient and even defrosting while preserving the texture and flavor of your food.



### 25L / 0.9 cu ft Capacity

Cook without limits for your family and guests by preparing multiple dishes at once—comfortably and efficiently.

## spec.

<b>Size</b>	59 cm
<b>Dimensions (cm)</b> (W x D x H)	59.5 x 40.1 x 38.8
<b>Plate</b>	Rotary plate 31.5 cm
<b>Material</b>	Black glass   Stainless steel cavity
<b>Capacity   Weight</b>	25 L 0.9 cu. Ft   19.5 kg / 22.0 kg
<b>Control</b>	Digital touch
<b>Voltage</b>	120 V/60Hz
<b>Mounting type</b>	Wall-mounted

## PODs

- Rotary plate - Metal grid.
- Interior lightning.
- Child block.
- 10 power levels.
- Digital clock.
- Timer.

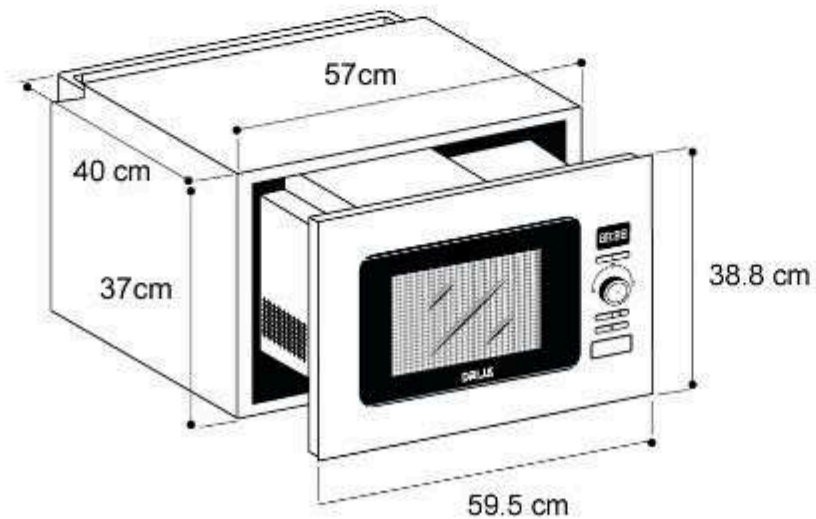
### NAPOLI 25L BLACK

**1 YEAR**  
warranty

**DR**



**Power** 900 W  
**Grill power** 1000 W



### POD



**Stainless steel cavity**  
More durable, easy to clean, and designed to reflect microwaves better for more efficient cooking.



**Mechanical control with digital panel**  
Combines digital precision with the ease of a classic mechanical system.



**Quartz grill**  
Instant heat for crispy, golden finishes with no waiting time. Surrounding heat is distributed directly and evenly. Its compact design allows for a larger, easier-to-clean cavity.



**Built-in design with trim**  
Combines style and functionality for a harmonious, practical, and built-in kitchen.



**Integrated digital clock and timer**  
Perfect time control for precise cooking.



**25L / 0.9 cu ft Capacity**  
Ideal for all types of recipes, from reheating to gratin or defrosting.

### spec.

<b>Size</b>	60 cm
<b>Dimensions (cm)</b> (W x D x H)	59.5 x 40 x 38.8
<b>Plate</b>	Rotary plate 31.5 cm
<b>Material</b>	Black glass   Stainless steel cavity
<b>Capacity   Weight</b>	25 L 0.9 cu. Ft   18.5 kg / 20.5 kg
<b>Control</b>	Digital - knob
<b>Voltage</b>	120 V/60Hz
<b>Mounting type</b>	Wall-mounted

### PODs

- Rotary plate - Metal Grid.
- Interior lightning.
- Child block.
- Defrosting by weight.

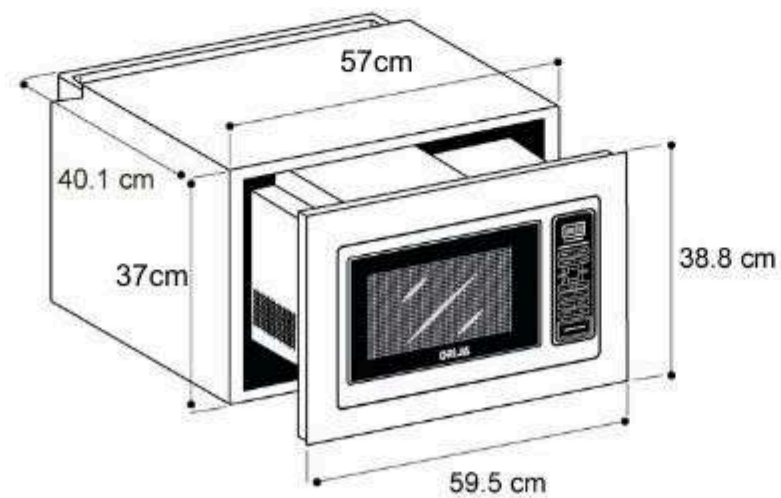
### SORRENTO BLACK 25L

**1 YEAR**  
warranty

**DR**



**Power** 900 W  
**Grill power** 1000 W



### POD

### spec.



#### Stainless steel cavity

More durable, easy to clean, and designed to reflect microwaves better for more efficient cooking.



#### Digital control panel with timer

Intuitive touch control lets you set functions and time with total precision.



#### Quartz grill

Instant heat for crispy, golden finishes with no waiting time. Surrounding heat is distributed directly and evenly. Its compact design allows for a larger, easier-to-clean cavity.



#### Built-in design with trim

Combines style and functionality for a harmonious, practical, and built-in kitchen.



#### Defrost by weight and time

Ensures efficient and even defrosting while preserving the texture and flavor of your food.



#### 25L / 0.9 cu ft Capacity

Cook without limits for the whole family and your guests, preparing multiple dishes at once with total comfort.

#### Size

#### Dimensions (cm) (W x D x H)

#### Plate

#### Material

#### Capacity | Weight

#### Control

#### Voltage

#### Mounting type

59 cm

59.5 x 40.1 x 38.8

Rotary plate 31.5 cm

Black glass | Stainless steel cavity

25 L 0.9 cu. Ft | 19.5 kg / 22.0 kg

Digital touch

120 V/60Hz

Wall-mounted

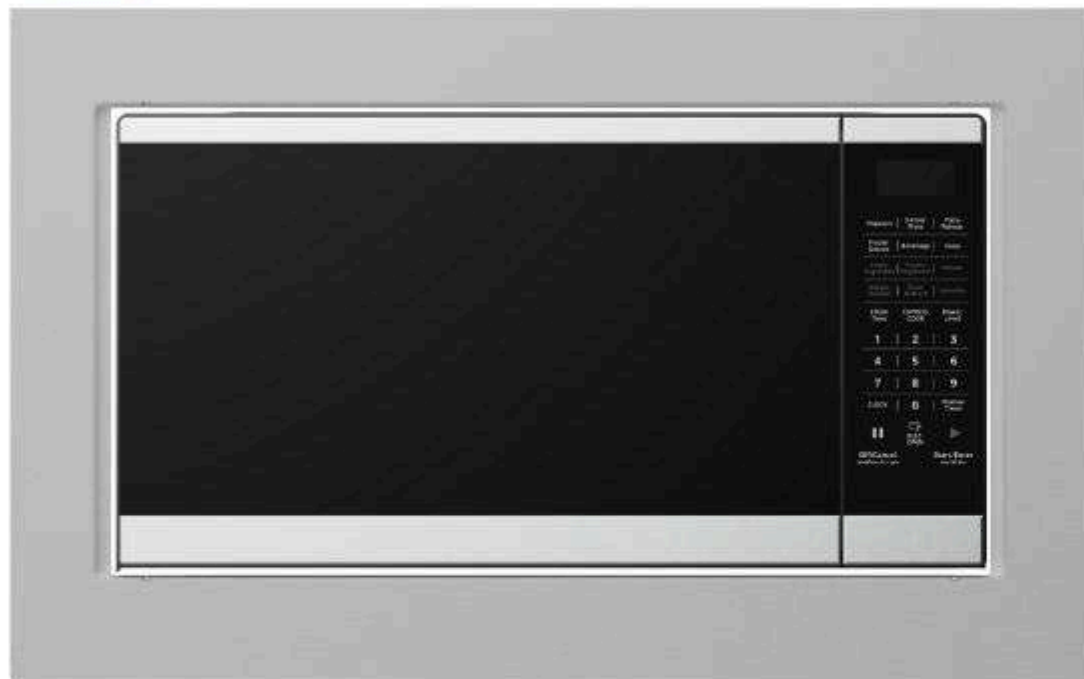
#### PODs

- Rotary plate - Metal grid.
- Interior lightning.
- Child block.
- 10 power levels.
- Digital clock.
- Timer.

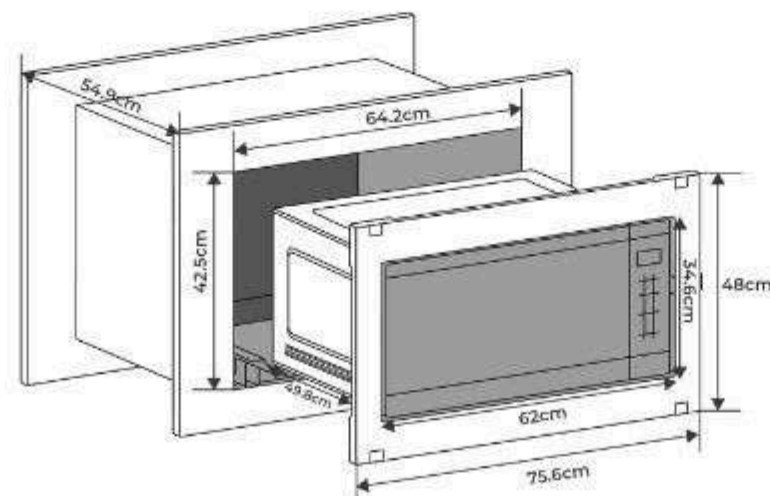
### EMPOLI 62L-I

**1 YEAR**  
warranty

**DR**



Potencia 1200W



**POD**



**Modern desing that integrates with your kitchen**  
With elegant stainless steel finishes, they perfectly adapt to any kitchen style, adding a sophisticated and functional look.



**Large capacity**  
Cook without limits for the whole family and your guests, preparing multiple plates at once with total comfort.



**9 available functions**  
Features like sensor cooking, automatic menus, and a timer ensure precision and convenience with every use.



**Sensor cooking**  
Automatically detects the food's moisture level to help prevent drying out or overcooking, preserving flavor and texture.



**10 power levels**  
Ensures fast, even results while preserving the original texture and flavor of your food.



**Integrated digital clock and timer**  
Perfect time control for precise cooking.

**spec.**

<b>Size</b>	62 cm
<b>Dimensions (cm)</b> (W x D x H)	62 x 49.8 x 34.6 <b>TRIM: 75.3 x 54.9 x 48</b>
<b>Plate</b>	Rotary plate 42 cm
<b>Material</b>	Stainless steel   Gray cavity  Black glass
<b>Capacity   Weight</b>	25 L 2.2 cu. Ft  19.7 kg / 22.3kg
<b>Control</b>	Digital touch
<b>Voltage</b>	120 V/60Hz
<b>Mounting type</b>	Wall-mounted

- PODs**
- Trim kit included
  - 42 cm turntable
  - LED interior lighting
  - Child lock
  - Timer and clock

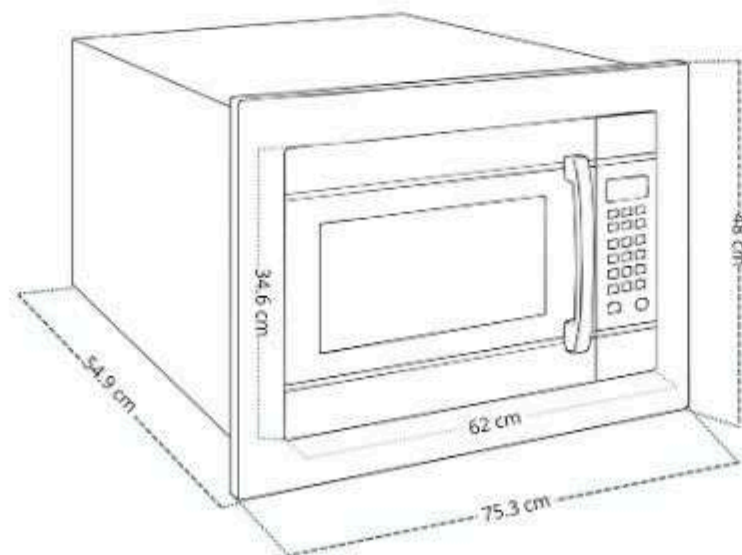
\*\*\*Some images are for illustrative purposes only.

### VENETO 62L BLACK-I

**1 YEAR** warranty **DR**



**Power** 1200 W



## POD



### Inverter technology for more efficient cooking

Power adjusts continuously to ensure even cooking, prevent overheating, and preserve the texture of your food.



### 8 cooking functions

From popcorn to steamed vegetables—cook it all at the touch of a button.



### Silent mode

Activate silent mode to mute panel sounds during operation—perfect for nighttime cooking or when you want to keep the peace at home.



### Built-in design with trim

Combines style and functionality for a harmonious, practical, and built-in kitchen.



### Defrosting by weight

Cook hassle-free with smart functions adapted to the type of food.



### 62 l / 2.2 cu ft capacity

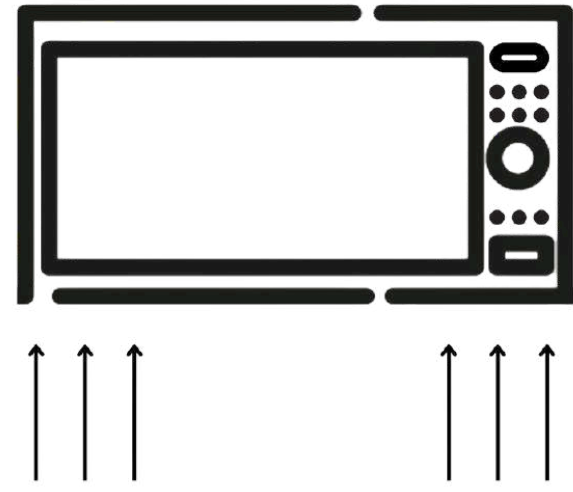
Cook without limits for the whole family and your guests, preparing multiple plates at once with total comfort.

## spec.

<b>Size</b>	62 cm
<b>Dimensions (cm)</b> (W x D x H)	62 x 34.6 x 54.9
<b>Plate</b>	Rotary plate 42 cm
<b>Material</b>	Black glass- Stainless Steel   Stainless steel cavity
<b>Capacity   Weight</b>	62 L- 2.2 cu. ft  18,5 kg / 24,5 kg
<b>Control</b>	Digital touch
<b>Voltage</b>	120 V/60Hz
<b>Mounting type</b>	Wall-mounted

### PODs

- Rotary plate - Metal grid.
- Interior lightning.
- Child block.
- 10 power levels.
- Defrosting by weight.
- Digital clock.
- Timer.

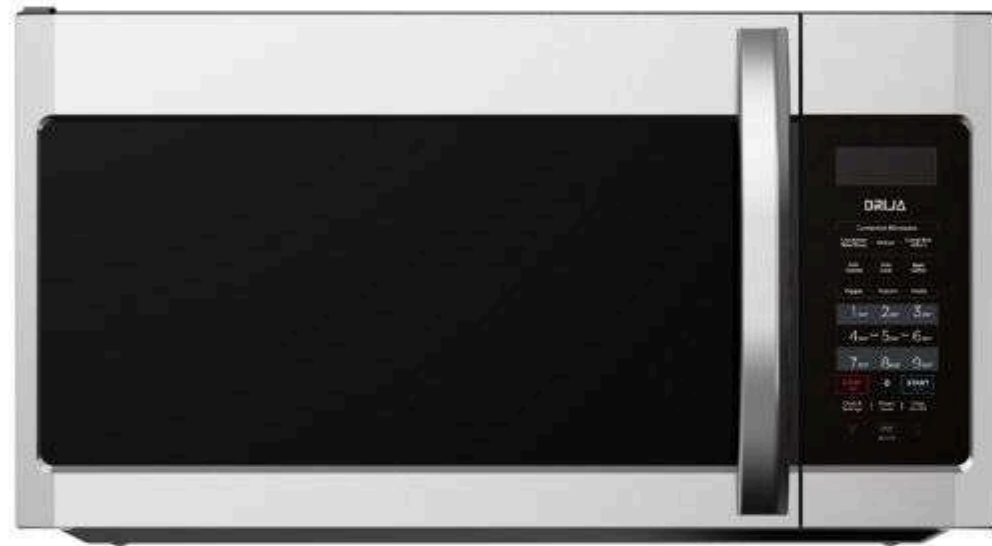


# OVER THE RANGE

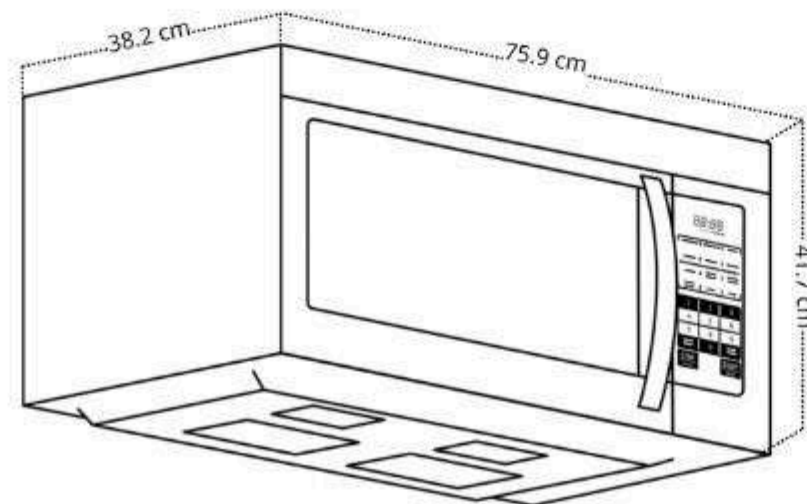
- VARENNA 42L -I

### VARENNA 42L -I

**1 YEAR** warranty **DR**



**Power** 900 W  
**Convection Power** 1450 W



#### Installation

When installing an extractor fan, it is recommended to maintain a distance of 76 cm between the hood and the microwave.

This guarantees the efficient and safe functioning of the extractor.

Furthermore, it is essential to adhere to the manufacturer's guidelines and ensure that the extractor is adequately leveled and secured.



#### All-in-one

Cook, and extract grease with a single unit thanks to its integrated convection microwave and built-in extractor.



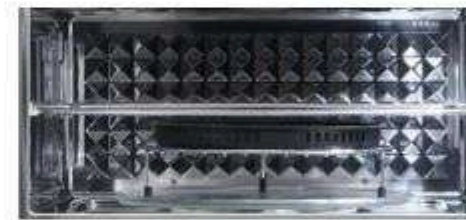
#### Efficient convection up to 425°F

Evenly distributes heat for professional results, with a wide temperature range (100°F - 425°F).



#### Diamond-pattern cavity

Reflects heat from multiple angles, distributing it evenly inside the oven. This improves cooking results, ensuring well-prepared food with no cold spots.



#### High-performance extractor with carbon filter

With an extraction capacity of 500 m/h and two power levels, it removes steam, grease, and odors while you cook.



#### Digital panel

Includes a clock, timer, and 7 preset functions for a modern and efficient user experience.



#### A substantial capacity of 42 liters / 1.5 ft

Perfect for preparing larger recipes and family meals.

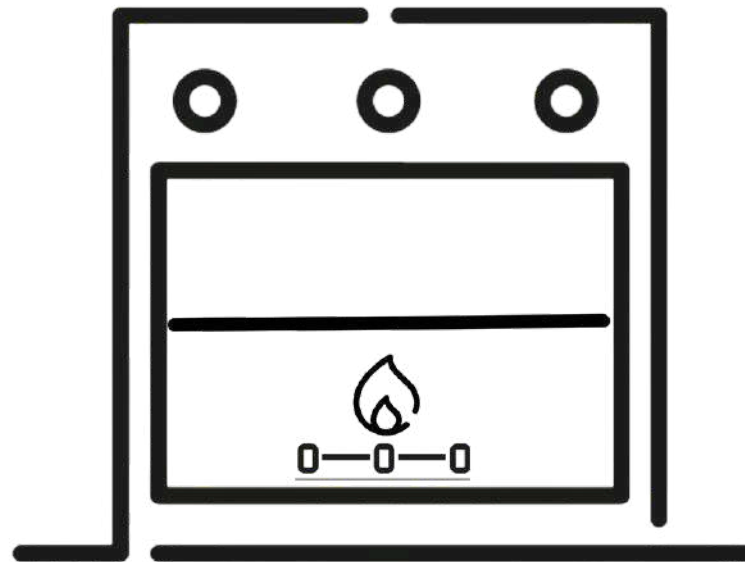
#### spec.

<b>Size</b>	76 cm
<b>Dimensions (cm)</b> (W x D x H)	75.9 x 38.2 x 41.7
<b>Plate</b>	Rotary Plate 34.5 cm
<b>Material</b>	Stainless steel / Stainless steelidable / cubierta negra / cavidad de Stainless steel
<b>Capacity   Weight</b>	45 L 1.5 cu. ft   29 kg / 31.5 kg
<b>CMH</b>	500 m3h
<b>Control</b>	Digital
<b>Voltage</b>	120 V/60Hz
<b>Mounting type</b>	Wall-mounted
<b>Convección</b>	Yes

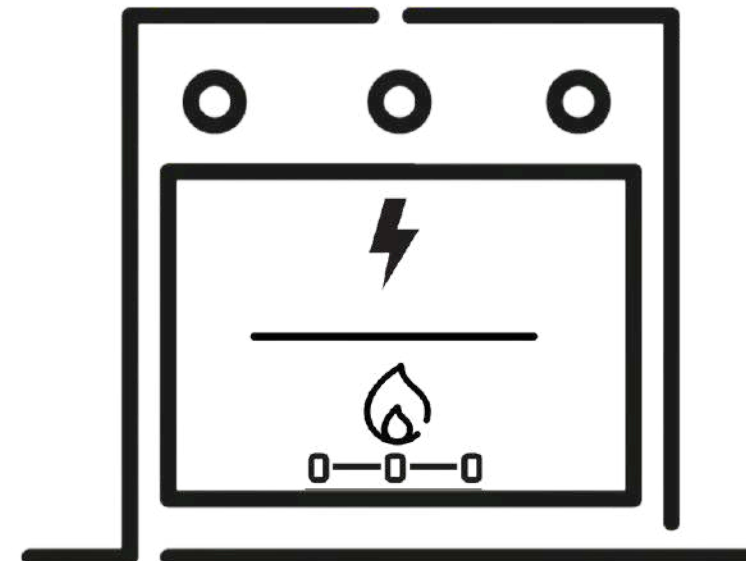
#### PODs

- 9 automatic functions.
- 2 extraction speeds.
- Rotary plate - Metal rack - 2 aluminium filters + 1 carbon filter + additional kit.
- Interior lightning.
- Child block.
- 10 power levels.

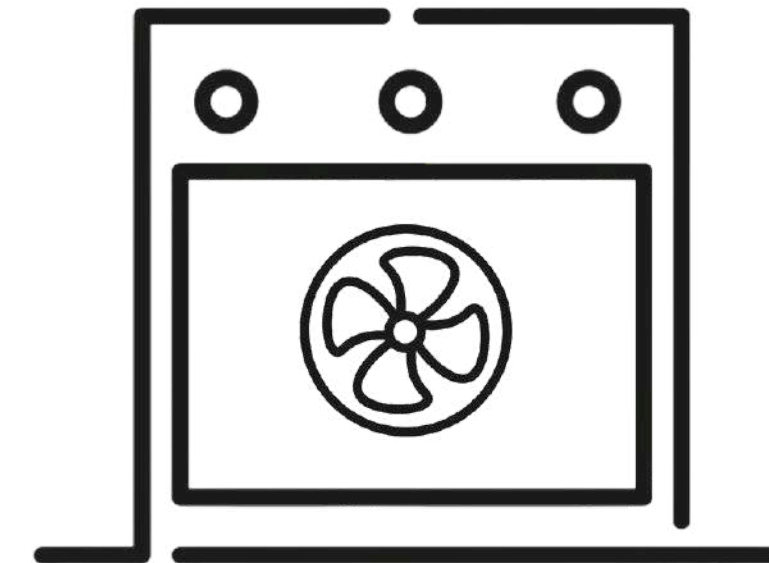
# OVENS



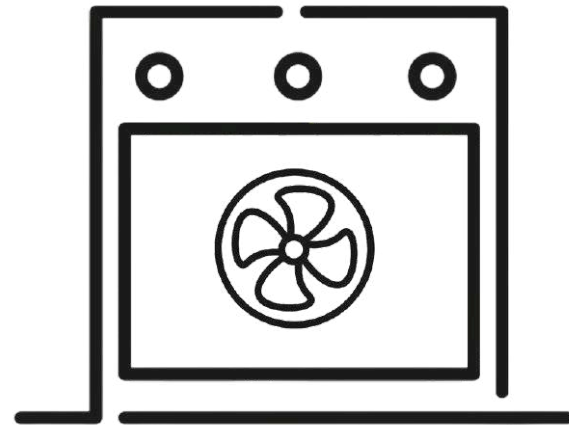
**GAS**



**GAS- GRILL**



**ELECTRIC**



## ELECTRIC

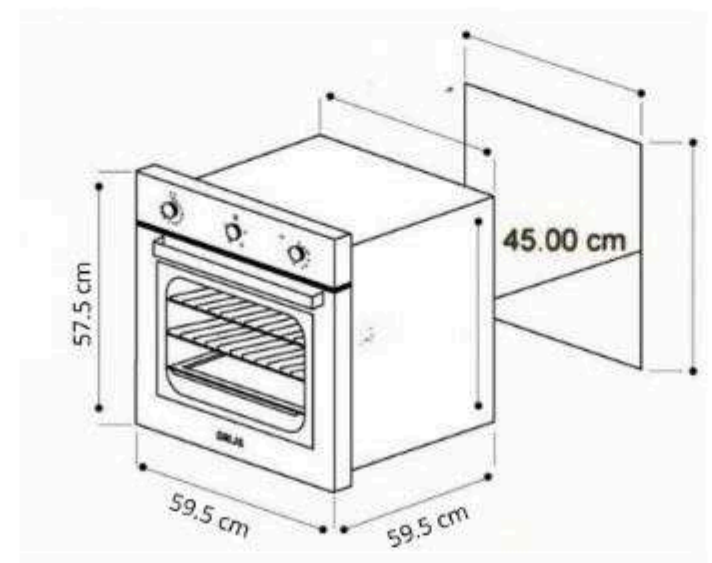
- LATINO 60 BLACK
- ÍNDICO 60 AIR ELÉCTRICO
- CARIBE 76 AIR
- PACIFIC 76 AIR
- AMÉRICA 90 AIR

### LATINO 60 BLACK

**2 YEARS** warranty **DR**



**Power** 2800 w



#### Built-in timer

Automatically shuts off the electric function, giving you full control of your cooking times with integrated safety.

### POD



#### 6 cooking functions

Total versatility to cook everything from baked goods to perfectly roasted meats.



#### Large capacity

Perfect for cooking big meals without worrying about space.



#### Fan Convection

The convection system distributes heat evenly throughout the oven, ensuring your dishes cook uniformly, in less time, and with more professional results.



#### Knobs control

The knobs are designed to give you precise, intuitive control of the heat, making it easy to adjust the temperature of each burner or cooking zone.



#### Triple glass door

The triple-glass door stays cool to the touch, while the dual interior lights give you a full view of the cooking process.



#### Cooling system

Feel safe with a door that stays cool while cooking more efficiently by keeping the heat where it belongs—inside the oven, with a built-in cooling system.

### spec.

<b>Size</b>	60 cm
<b>Dimensions(cm)</b> <small>(W x D x H)</small>	59.5 x 59.5 x 57.5
<b>Materials</b>	Black glass   black enamel on the inside   Aluminium handle
<b>Capacity   Weight</b>	80 L 2.82 Cu.ft   31.1 kg
<b>Max. Temperature</b>	250 °C
<b>Control</b>	Knobs
<b>Type of oven</b>	Electric   Convection Oven
<b>Voltage</b>	220-240V /50-60 Hz
<b>Ignition system</b>	Electric
<b>Type of mounting</b>	Built- in

### PODs

- Interior lighting with 2 bulbs.
- Burners: 2 electric.
- Automatic shut-down.
- 1 rack.
- 1 grease drip tray.

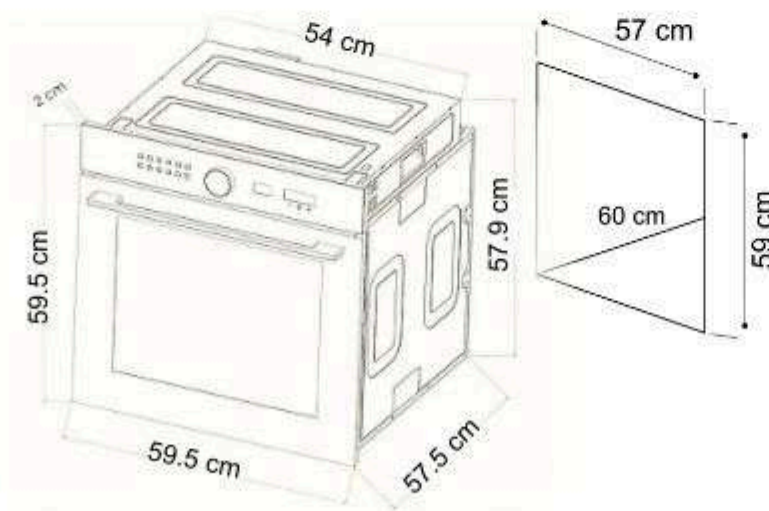
## ÍNDICO 60 AIR ELÉCTRICO

**2 YEARS**  
warranty

**DR**



**Power** 3250 W



### Built-in timer

Automatically shuts off the electric function, giving you full control of your cooking times with integrated safety.

Certification

**CB**

## POD



### 12 cooking functions

Total versatility to cook everything from baked goods to perfectly roasted meats.



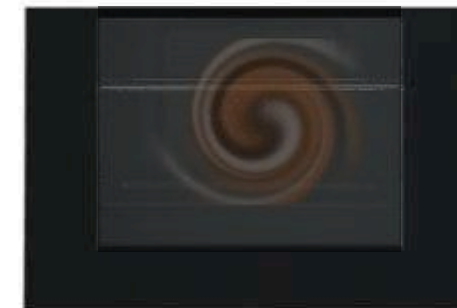
### Triple glass door

The triple-glass door stays cool to the touch, while the dual interior lights give you a full view of the cooking process.



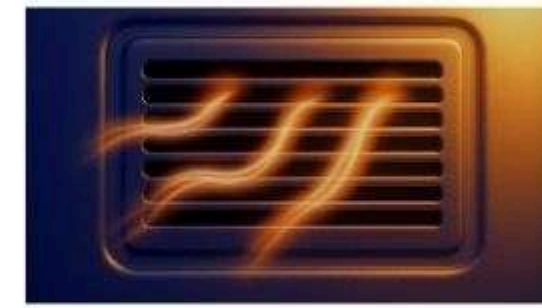
### Premium design

Elegance in your kitchen with its glossy black finish, Aluminium handle, and digital controls.



### True Convection

The convection system combines electric heating elements with a rear fan that distributes heat evenly, enhancing browning and crispiness in all your recipes.



### Cooling system

Feel safe with a door that stays cool while cooking more efficiently by keeping the heat where it belongs—inside the oven, with a built-in cooling system.



### More space for more recipes

It offers an optimized interior that allows for easy cooking of large dishes.

## spec.

### Size

**Dimensions(cm)**  
(W x D x H)

### Materials

**Capacity | Weight**

**Max. Temperature**

**Control**

**Type of oven**

**Voltage**

**Ignition system**

**Type of mounting**

60cm

59.5 x 57.5 x 59.5

Black glass | black enamel on the inside | Aluminium handle.

83 L 2.9 Cu.ft | 35 kg

250 °C

Digital with a knob

Electric | True convection oven

220-240V /50-60 Hz

Electric

Built-in

### PODs

- 1 rack.
- 1 sliding grease drip tray.
- 3 Burners: Lower burner- upper burner - fan burner.
- Rotisserie spit.
- Air Fryer Basket.
- Easy-to-clean cavity.
- Interior lighting with bulb.

### CARIBE 76 AIR -A

**2 YEARS**  
warranty

**DR**

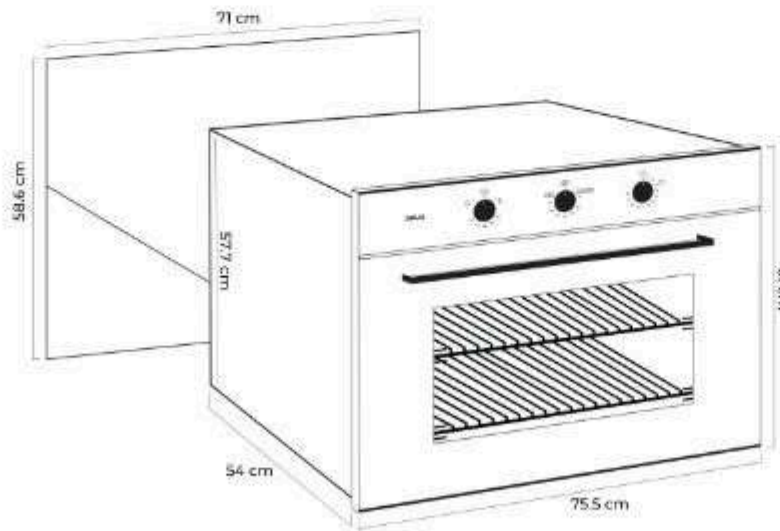


Upper burner  
2.1 kw

Lower burner  
3.55 kw



Power 5630W



#### Built-in timer

Automatically shuts off the electric function, giving you full control of your cooking times with integrated safety.

## POD



#### 5 cooking functions

Total versatility to cook everything from baked goods to perfectly roasted meats.



#### High capacity for large-scale cooking

Ideal for preparing big recipes without worrying about space.



#### Fan Convection

The convection system distributes heat evenly throughout the oven, ensuring your dishes cook uniformly, in less time, and with more professional results.



#### Air Fryer tray

Designed to transform your built-in oven into an air fryer. Its design allows for 360° hot air circulation, achieving a crispy, air-fried texture.



#### Triple glass door

The triple-glass door stays cool to the touch, while the dual interior lights give you a full view of the cooking process.



#### Cooling system

Feel safe with a door that stays cool while cooking more efficiently by keeping the heat where it belongs—inside the oven, with a built-in cooling system.

## spec.

#### Size

**Dimensions(cm)**  
(W x D x H)

#### Materials

**Capacity | Weight**

**Max. Temperature**

**Control**

**Type of oven**

**Voltage**

**Ignition system**

**Type of mounting**

76 cm

75.5 x 54 x 61

Smoked tempered glass  
aluminum edges | black enamel

78 L | 2.80 cu.ft | 40 kg

250 °C

Knobs

Electric | True convection oven

220-240V / 50-60 Hz

Electric

Built-in

#### PODs

- 2 racks
- + • 1 air fryer basket
- 1 grease drip tray
- Mechanical timer
- Double interior lighting with bulbs
- 2 Burners: Lower burner-upper burner

### PACIFIC 76 AIR-A

**2 YEARS** warranty **DR**

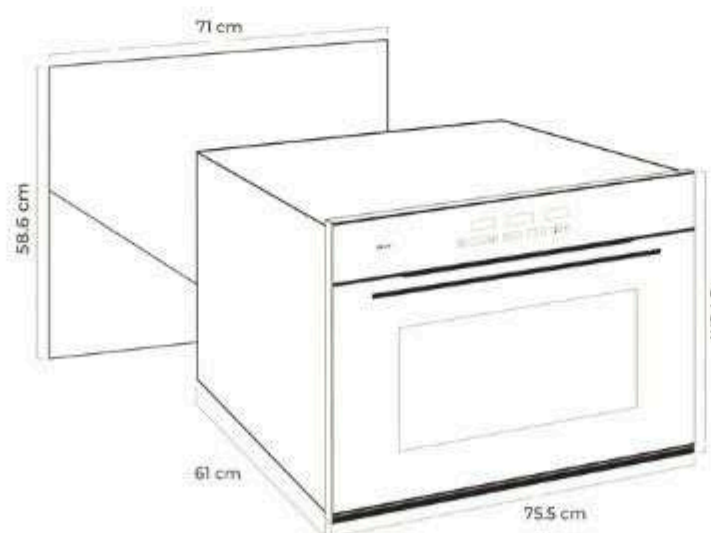


Upper burner  
2.8 kw

Lower burner  
3.4 kw



Power 6200 w



#### Built-in timer

Automatically shuts off the electric function, giving you full control of your cooking times with integrated safety.

## POD

## spec.



#### 8 cooking functions

Full versatility to prepare anything from baked goods to grilled meats.



#### Versatile capacity for everyday use

Ideal for preparing large recipes without worrying about space.



#### True Convection

The convection system combines electric heating elements with a rear fan that distributes heat evenly, enhancing browning and crispiness in all your recipes.



#### Rotisserie

Internal rotating accessory that transforms the oven into a rotisserie-type grill, rotating automatically to achieve even cooking and homogeneous browning.



#### Air Fryer tray

Designed to transform your built-in oven into an air fryer. Its design allows for 360° hot air circulation, achieving a crispy, air-fried texture.



#### Triple glass door

The triple-glass door stays cool to the touch, while the dual interior lights give you a full view of the cooking process.

#### PODs

- 2 racks
- 1 air fryer tray
- 1 rotisserie spit.
- 1 grease drip tray
- Double interior lighting
- 3 Burners: Lower burner - upper burner - fan burner.

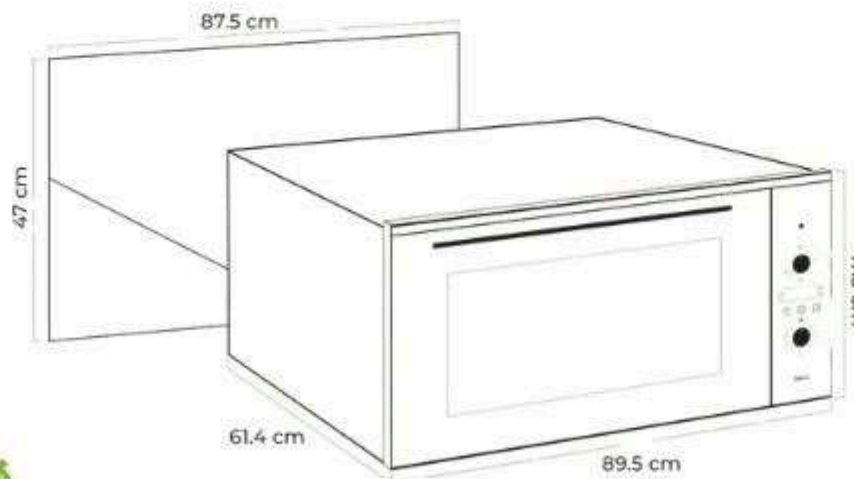
<b>Size</b>	76 cm
<b>Dimensions(cm)</b> (W x D x H)	75.5 x 54 x 61
<b>Materials</b>	Black glass   black enamel on the inside   Aluminium handle.
<b>Capacity   Weight</b>	78 L   2.80 Cu.ft   41.7 kg
<b>Max. Temperature</b>	270 °C
<b>Control</b>	Digital Touch
<b>Type of oven</b>	Electric   True convection oven
<b>Voltage</b>	220-240V /50-60 Hz
<b>Ignition system</b>	Electric
<b>Type of mounting</b>	Built-in

### AMÉRICA 90 AIR-A

**2 YEARS** warranty **DR**



Power 6200 kw



#### Built-in timer

Automatically shuts off the electric function, giving you full control of your cooking times with integrated safety.

### POD



#### 8 cooking functions

Full versatility to prepare anything from baked goods to grilled meats.



#### High capacity for large-scale cooking

Ideal for preparing large recipes without worrying about space



#### True Convection

The convection system combines electric heating elements with a rear fan that distributes heat evenly, enhancing browning and crispiness in all your recipes.



#### Rotisserie

Internal rotating accessory that transforms the oven into a rotisserie-type grill, rotating automatically to achieve even cooking and homogeneous browning.



#### Air Fryer tray

Designed to transform your built-in oven into an air fryer. Its design allows for 360° hot air circulation, achieving a crispy, air-fried texture.



#### Triple glass door

The triple-glass door stays cool to the touch, while the dual interior lights give you a full view of the cooking process.

### spec.

<b>Size</b>	89 cm
<b>Dimensions(cm)</b> (W x D x H)	89.5 x 61 x 47.5
<b>Materials</b>	Black glass   black enamel on the inside   Aluminium handle.
<b>Capacity   Weight</b>	105 L   3.71 Cu.ft   39.6 kg
<b>Max. Temperature</b>	270 °C
<b>Control</b>	Touch   Manual knobs
<b>Type of oven</b>	Electric   True convection oven
<b>Voltage</b>	220-240V /50-60 Hz
<b>Ignition system</b>	Electric
<b>Type of mounting</b>	Built-in

#### PODs

- Interior lighting with 2 bulbs
- Burners: 3 electric
- 2 racks
- 1 sliding tray
- 1 air fryer basket
- 1 rotisserie spit rod

### CARIBE 76 AIR

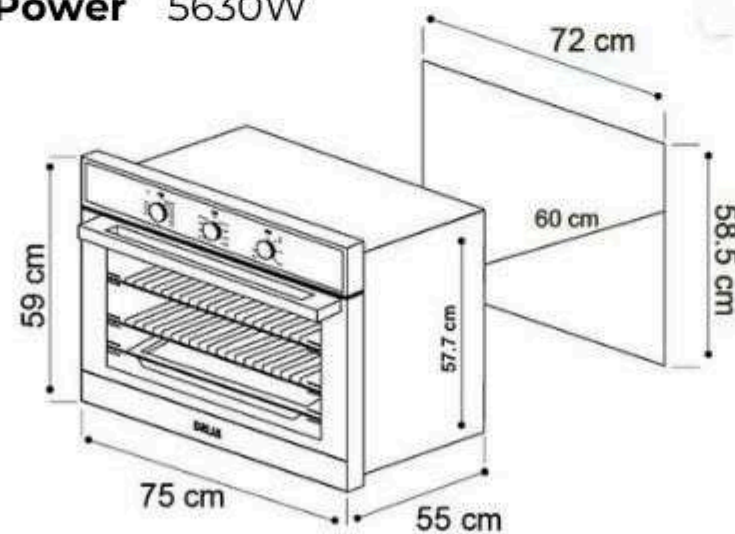
**2 YEARS** warranty **DR**

Upper burner  
2.1 kw

Lower burner  
3.55 kw



Power 5630W



#### Built-in timer

Automatically shuts off the electric function, giving you full control of your cooking times with integrated safety.

## POD



#### 5 cooking functions

Total versatility to cook everything from baked goods to perfectly roasted meats.



#### High capacity for large-scale cooking

Ideal for preparing big recipes without worrying about space.



#### True Convection

The convection system combines electric heating elements with a rear fan that distributes heat evenly, enhancing browning and crispiness in all your recipes.



#### Cooling system

Feel safe with a door that stays cool while cooking more efficiently by keeping the heat where it belongs—inside the oven, with a built-in cooling system.



#### Triple glass door

The triple-glass door stays cool to the touch, while the dual interior lights give you a full view of the cooking process.



#### Trays

- 2 racks
- 1 sliding grease drip tray
- 1 air fryer tray

## spec.

<b>Size</b>	76 cm
<b>Dimensions(cm)</b> (W x D x H)	75.5 x 54 x 61
<b>Materials</b>	Black glass   black enamel on the inside   Aluminium handle.
<b>Capacity   Weight</b>	78 L 2.8 cu.ft   40 kg
<b>Max. Temperature</b>	250 °C
<b>Control</b>	Knobs
<b>Type of oven</b>	Electric   True convection oven
<b>Voltage</b>	220-240V /50-60 Hz
<b>Ignition system</b>	Electric
<b>Type of mounting</b>	Built- in

### PODs

- 2 racks
- 1 air fryer basket
- 1 grease drip tray
- Mechanical timer
- Double interior lighting with bulbs
- 2 Burners: Lower burner-upper burner

### PACIFIC 76 AIR

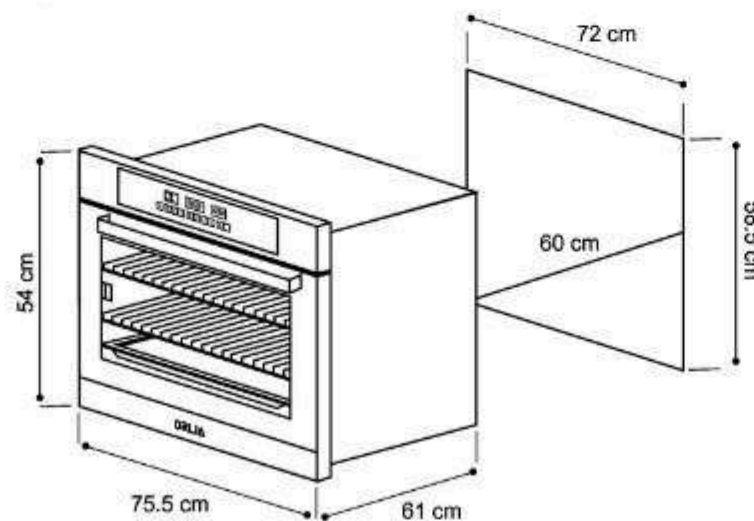
**2 YEARS** warranty **DR**



Upper burner  
2.8 kw

Lower burner  
3.4 kw

Power 6200 w



#### Built-in timer

Automatically shuts off the electric function, giving you full control of your cooking times with integrated safety.

### POD



#### 8 cooking functions

Full versatility to prepare anything from baked goods to grilled meats.



#### Versatile capacity for everyday use

Ideal for preparing large recipes without worrying about space.



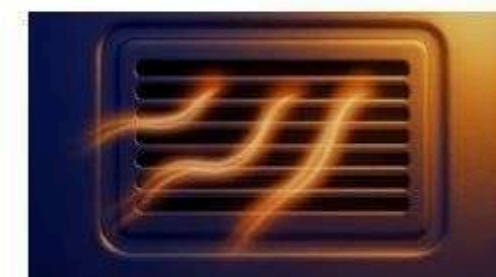
#### True Convection

The convection system combines electric heating elements with a rear fan that distributes heat evenly, enhancing browning and crispiness in all your recipes.



#### Easy to program with digital panel

Modern and easy to use. Offers precise control of functions, temperature, and time.



#### Cooling system

Feel safe with a door that stays cool while cooking more efficiently by keeping the heat where it belongs—inside the oven, with a built-in cooling system.



#### Ready for everything

Includes air fryer tray, two racks, and grease drip tray for greater versatility in the kitchen.

### spec.

<b>Size</b>	76 cm
<b>Dimensions(cm)</b> (W x D x H)	75.5 x 54 x 61
<b>Materials</b>	Black glass   black enamel on the inside   Aluminium handle.
<b>Capacity   Weight</b>	78 L   2.80 Cu.ft   41.7 kg
<b>Max. Temperature</b>	270 °C
<b>Control</b>	Digital Touch
<b>Type of oven</b>	Electric   True convection oven
<b>Voltage</b>	220-240V /50-60 Hz
<b>Ignition system</b>	Electric
<b>Type of mounting</b>	Built-in

#### PODs

- 2 racks
- 1 air fryer tray
- 1 rotisserie spit.
- 1 grease drip tray
- Double interior lighting
- 3 Burners: Lower burner- upper burner - fan burner.

## AMÉRICA 90 AIR

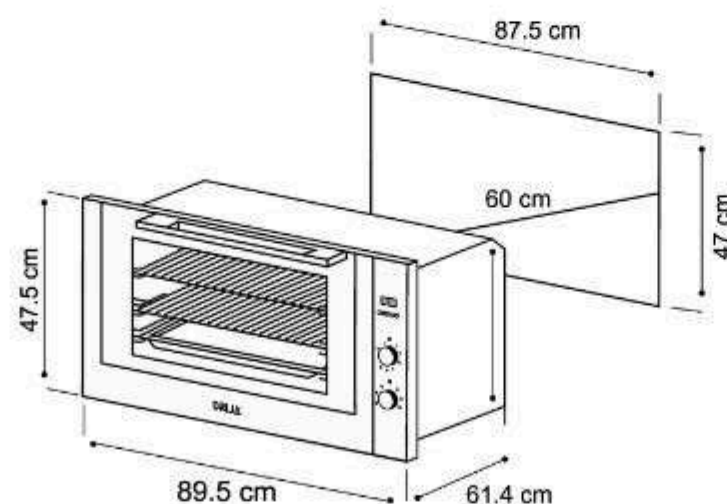
**2 YEARS** warranty **DR**

Upper burner  
2.8 kw

Lower burner  
3.4 kw



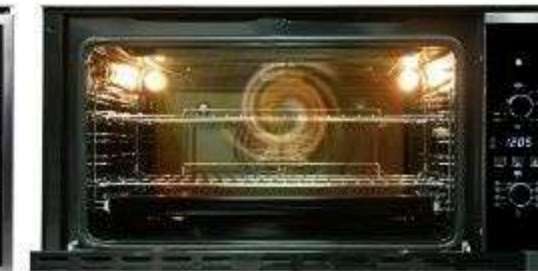
Power 6200 kw



### Built-in timer

Automatically shuts off the electric function, giving you full control of your cooking times with integrated safety.

## POD



### 8 cooking functions

Full versatility to prepare anything from baked goods to grilled meats.

### High capacity for large-scale cooking

Ideal for preparing large recipes without worrying about space

### True Convection

The convection system combines electric heating elements with a rear fan that distributes heat evenly, enhancing browning and crispiness in all your recipes.



### Knobs control

The knobs are designed to give you precise, intuitive control of the heat, making it easy to adjust the temperature of each burner or cooking zone.



### Triple glass door

The triple-glass door stays cool to the touch, while the dual interior lights give you a full view of the cooking process.



### Ready for everything

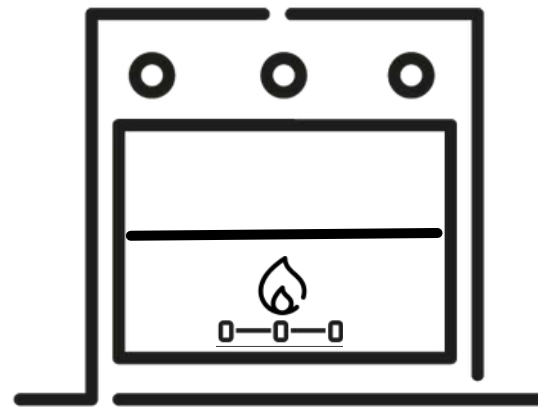
Includes air fryer tray, two racks, and grease drip tray for greater versatility in the kitchen.

## spec.

<b>Size</b>	89 cm
<b>Dimensions(cm)</b> (W x D x H)	89.5 x 61 x 47.5
<b>Materials</b>	Black glass   black enamel on the inside   Aluminium handle.
<b>Capacity   Weight</b>	105L   3.71 Cu.ft   41.7 kg
<b>Max. Temperature</b>	270 °C
<b>Control</b>	Touch   Manual knobs
<b>Type of oven</b>	Electric   True convection oven
<b>Voltage</b>	220-240V /50-60 Hz
<b>Ignition system</b>	Electric
<b>Type of mounting</b>	Built- in

### PODs

- Interior lighting with 2 bulbs
- Burners: 3 electric
- 2 racks
- 1 sliding tray
- 1 air fryer basket
- 1 rotisserie spit rod



## GAS

- OCEANÍA 60 BLACK
- EUROPA 60
- ROMA 76
- AMÉRICA 90

### EUROPA 60 GAS -A

**1 YEAR**  
warranty

**DR**

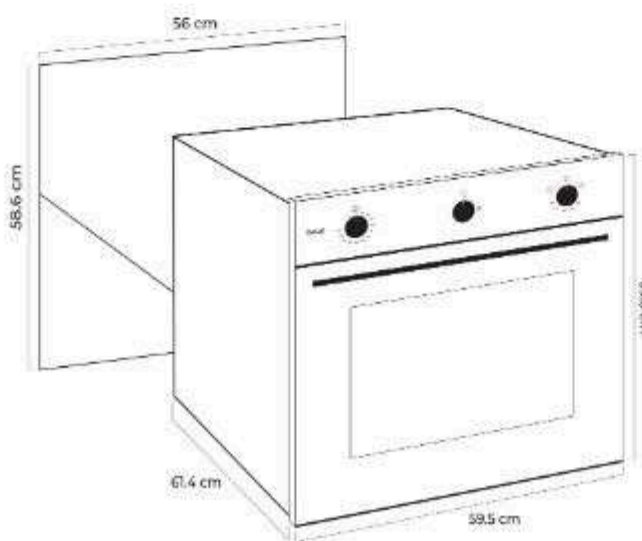


Upper burner  
6141. BTU- 1.8 kw

Lower burner  
8800 BTU- 2.6 kw



Power 4400W-  
15,013 BTU



## POD

## spec.



### Minimalist design

Smoked glass front that enhances the kitchen's look with a modern, sophisticated finish.



### Compact and functional for limited spaces

Perfect for families who frequently cook different types of dishes



### Independent dual burners

The lower burner provides even heat—ideal for baking—while the upper burner is designed for grilling and achieving a perfectly golden finish.



### Easy cleaning for your convenience

The gray enamel cavity adds a modern touch and makes cleaning easier, so you can cook without worrying about leftover residue.



### Triple glass door

The triple-glass door stays cool to the touch, while the dual interior lights give you a full view of the cooking process.



### Cooling system

Feel safe with a door that stays cool while cooking more efficiently by keeping the heat where it belongs—inside the oven, with a built-in cooling system.

### Size

**Dimensions(cm)**  
(W x D x H)

### Materials

**Capacity | Weight**

**Max. Temperature**

**Control**

**Type of oven**

**Voltage**

**Ignition system**

**Type of mounting**

60 cm

59.5 x 61.4 x 59.58

Smoked tempered glass + aluminum edges | gray enamel

72 L- 2.54 .Cu.ft | 31.1 kg

250 °C

Knobs

Gas

110-120V /60 Hz

Electric

Built - in

### PODs

- Safety valve.
- 2 racks.
- 1 grease drip tray.
- Double gas burner: upper and lower.
- 2 natural gas nozzles.
- 1 gas connector.
- 1 elbow connector.
- Interior lighting.
- Timer

### ROMA 76 GAS-A

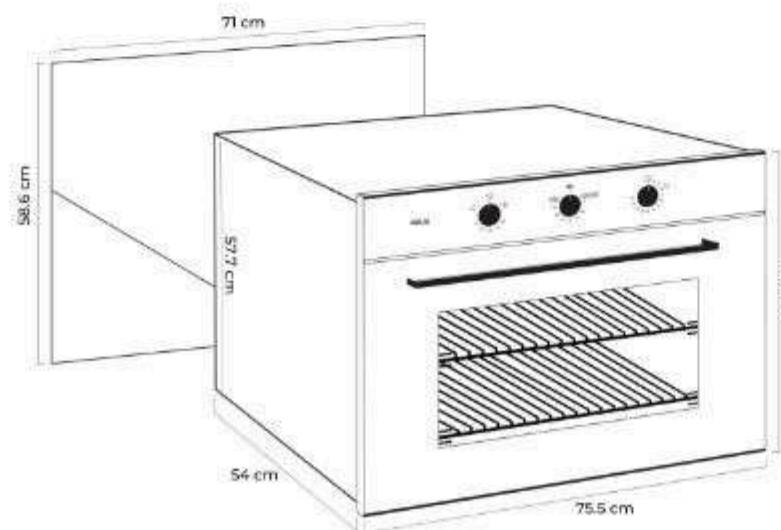
**1 YEAR** warranty **DR**



Upper burner  
7,846 BTU- 2.3 kw

Lower burner  
11,607 BTU- 3.6 kw

**Power** 5900W  
19, 453BTU



## POD

## spec.



**Minimalist design**  
Smoked glass front that enhances the kitchen's look with a modern, sophisticated finish.



**Versatile capacity**  
Cook without limits for your whole family and guests, preparing multiple dishes at once with total comfort.



**Independent dual burners**  
The lower burner provides even heat—ideal for baking—while the upper burner is designed for grilling and achieving a perfectly golden finish.



**Knobs control**  
The knobs are designed to give you precise, intuitive control of the heat, making it easy to adjust the temperature of each burner or cooking zone.



**Triple glass door**  
The triple-glass door stays cool to the touch, while the dual interior lights give you a full view of the cooking process.



**Cooling system**  
Feel safe with a door that stays cool while cooking more efficiently by keeping the heat where it belongs—inside the oven, with a built-in cooling system.

<b>Size</b>	76 cm
<b>Dimensions(cm)</b> (W x D x H)	75.5 x 54.8 x 61.4
<b>Materials</b>	Smoked tempered glass + aluminum edges   black enamel
<b>Capacity   Weight</b>	78 L- 2.8 .Cu.ft   40 kg
<b>Max. Temperature</b>	250 °C
<b>Control</b>	Knobs
<b>Type of oven</b>	Gas
<b>Voltage</b>	110 - 120V /60 Hz
<b>Ignition system</b>	Electric
<b>Type of mounting</b>	Built- in

- PODs**
- Safety valve.
  - 2 racks.
  - 1 grease drip tray.
  - Double gas burner: upper and lower.
  - 2 natural gas nozzles.
  - 1 gas connector.
  - 1 elbow connector.
  - Double interior lighting.
  - Timer

\*\*\*Some images are for illustrative purposes only.

### AMÉRICA 90 GAS-A

**1 YEAR** warranty **DR**

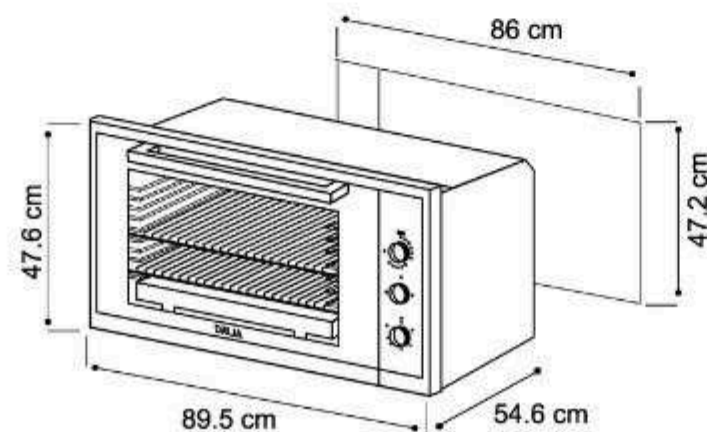


Upper burner  
8189 BTU - 2.5kw

Lower burner  
11600 BTU- 3.4 kw



Power 5900W



## POD



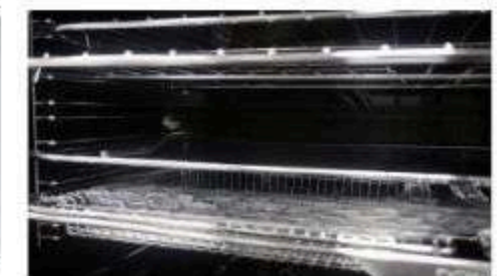
### Minimalist design

Smoked glass front that enhances the kitchen's look with a modern, sophisticated finish.



### High capacity for large-scale cooking

Ideal for preparing big recipes without worrying about space.



### Independent dual burners

The lower burner provides even heat—ideal for baking—while the upper burner is designed for grilling and achieving a perfectly golden finish.



### Knobs control

Intuitive mechanical controls, electric ignition, and a built-in timer let you cook with accuracy—no unnecessary tech involved.



### Triple glass door

The triple-glass door stays cool to the touch, while the dual interior lights give you a full view of the cooking process.



### Cooling system

Feel safe with a door that stays cool while cooking more efficiently by keeping the heat where it belongs—inside the oven, with a built-in cooling system.

## spec.

<b>Size</b>	90 cm
<b>Dimensions(cm)</b> <small>(W x D x H)</small>	89.5 x 54.6 x 47.6
<b>Materials</b>	Smoked tempered glass aluminum edges   black enamel
<b>Capacity   Weight</b>	105 L- 3.71 .Cu.ft   41.7 kg
<b>Max. Temperature</b>	250 °C
<b>Control</b>	Knobs
<b>Type of oven</b>	Gas
<b>Voltage</b>	110 /120V – 50/60 Hz
<b>Ignition system</b>	Electric
<b>Type of mounting</b>	Built- in

### PODs

- Safety valve
- 2 racks
- 1 sliding grease tray
- 2 natural gas nozzles
- Rotisserie spit rod.
- 1 gas connector
- 1 elbow connector
- Dual lighting
- Timer

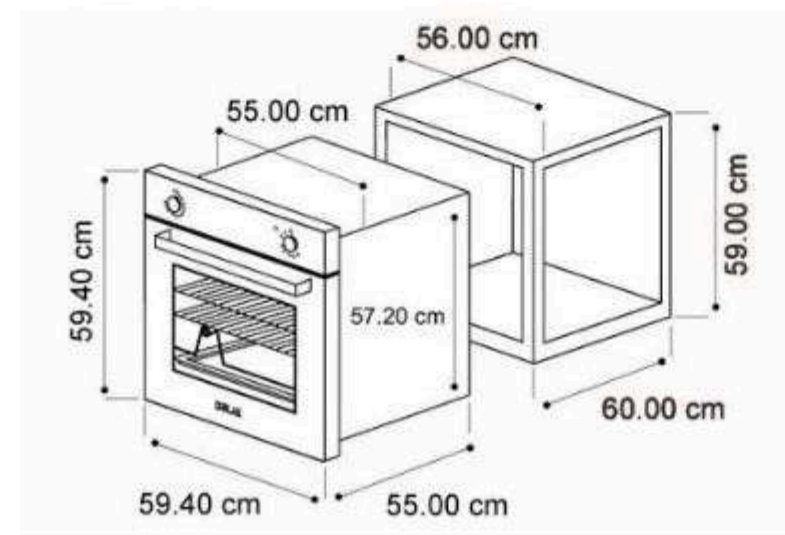
### OCEANÍA 60 BLACK

**1 YEAR**  
warranty



Lower burner  
8800 BTU- 2.59 kw

Power 2590W-  
8,833 BTU



### POD



#### Sophisticated style in your kitchen

Its black tempered glass design with Aluminium handle combines elegance and durability.



#### Compact and functional for small places

Perfect for families who cook a variety of recipes often



#### Easy and safe electric ignition

Turn the knob to light the oven –no matches or lighters needed.



#### Knobs control

The knobs are designed to give you precise, intuitive control of the heat, making it easy to adjust the temperature of each burner or cooking zone.



#### Cooling system

Feel safe with a door that stays cool while cooking more efficiently by keeping the heat where it belongs—inside the oven, with a built-in cooling system.



#### Triple glass door

The triple-glass door stays cool to the touch, while the dual interior lights give you a full view of the cooking process.

### spec.

#### Size

**Dimensions(cm)**  
(W x D x H)

60 cm  
59.5 x 61.4 x 59.8

#### Materials

Black tempered glass | S304 Stainless steel | black enamel | Aluminium

#### Capacity | Weight

72 L- 2.54 .Cu.ft | 31.1 kg

#### Max. Temperature

250 °C

#### Control

Knobs

#### Type of oven

Gas

#### Voltage

110 /120V – 50/60 Hz

#### Ignition system

Electric

#### Type of mounting

Built- in

### PODs

- 1 heating function.
- 1 burner.
- Safety valve.
- 1 rack.
- 1 grease drip tray.
- 1 natural gas nozzle.
- 1 gas connector.
- 1 elbow connector.
- Interior lighting.
- Timer

### EUROPA 60 GAS

**1 YEAR**  
warranty

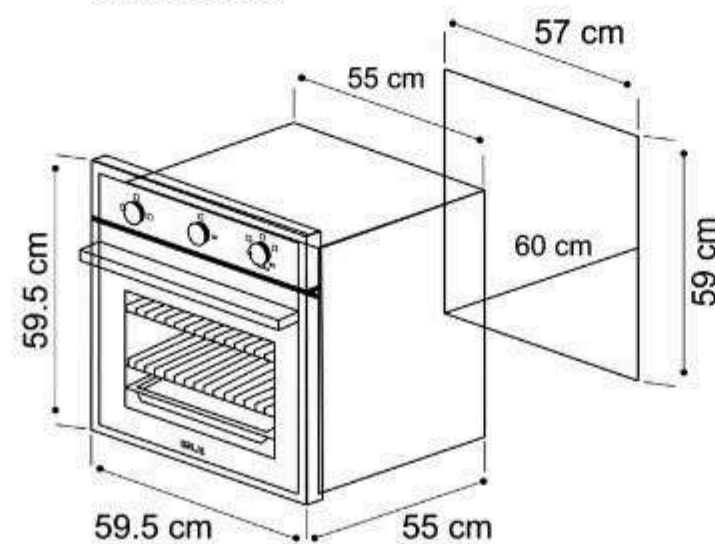
**DR**



Upper burner  
6000. BTU- 1.8 kw

Lower burner  
8800 BTU- 2.6 kw

**Power** 4400W-  
15,013 BTU



### POD



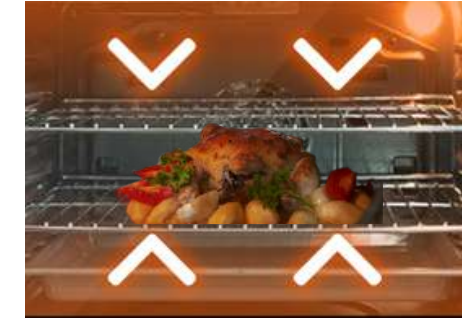
**Perfect results, every time**

Master any recipe with the versatility to bake everything from delicate cakes to perfectly golden finishes.



**Compact and functional for limited spaces**

Perfect for families who frequently cook different types of dishes



**Independent dual burners**

The lower burner provides even heat—ideal for baking—while the upper burner is designed for grilling and achieving a perfectly golden finish.



**Easy cleaning for your convenience**

The gray enamel cavity adds a modern touch and makes cleaning easier, so you can cook without worrying about leftover residue.



**Cooling system**

Feel safe with a door that stays cool while cooking more efficiently by keeping the heat where it belongs—inside the oven, with a built-in cooling system.



**Triple glass door**

The triple-glass door stays cool to the touch, while the dual interior lights give you a full view of the cooking process.

### spec.

<b>Size</b>	60 cm
<b>Dimensions(cm)</b> (W x D x H)	59.5 x 61.4 x 59.58
<b>Materials</b>	Dark glass  S304 Stainless steel frames  gray enamel
<b>Capacity   Weight</b>	72 L- 2.54 .Cu.ft   31.1 kg
<b>Max. Temperature</b>	250 °C
<b>Control</b>	Knobs
<b>Type of oven</b>	Gas
<b>Voltage</b>	110-120V /60 Hz
<b>Ignition system</b>	Electric
<b>Type of mounting</b>	Built - in

### PODs

- Safety valve.
- 2 racks.
- 1 grease drip tray.
- Double gas burner: upper and lower.
- 2 natural gas nozzles.
- 1 gas connector.
- 1 elbow connector.
- Interior lighting.
- Timer

### ROMA 76

**1 YEAR**  
warranty

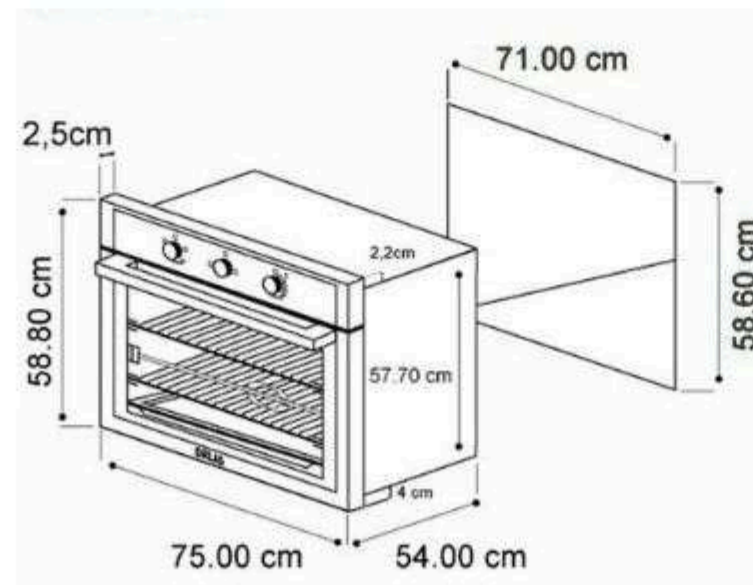


Upper burner  
7,846 BTU- 2.3 kw

Lower burner  
11,607 BTU- 3.6 kw



**Power** 5900W  
19, 453BTU



## POD



**Premium finishes that stand out in your kitchen**

Featuring a black glass panel and 304 stainless steel frame, it combines elegance, durability, and easy cleaning.



**Versatile capacity**

Cook without limits for your whole family and guests, preparing multiple dishes at once with total comfort.



**Independent dual burners**

The lower burner provides even heat—ideal for baking—while the upper burner is designed for grilling and achieving a perfectly golden finish.



**Knobs control**

The knobs are designed to give you precise, intuitive control of the heat, making it easy to adjust the temperature of each burner or cooking zone.



**Triple glass door**

The triple-glass door stays cool to the touch, while the dual interior lights give you a full view of the cooking process.



**Cooling system**

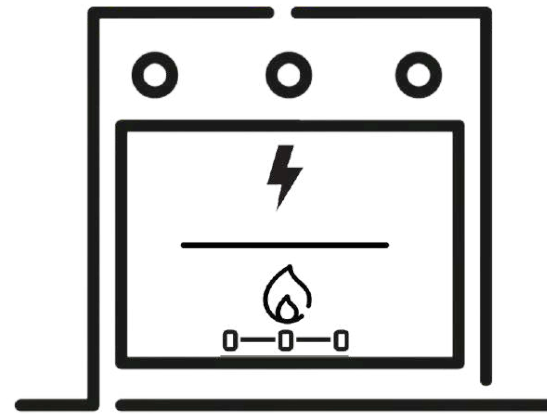
Feel safe with a door that stays cool while cooking more efficiently by keeping the heat where it belongs—inside the oven, with a built-in cooling system.

## spec.

<b>Size</b>	76 cm
<b>Dimensions(cm)</b> (W x D x H)	75.5 x 54.8 x 61.4
<b>Materials</b>	Dark glass  S304 Stainless steel frames  black enamel
<b>Capacity   Weight</b>	78 L- 2.8 .Cu.ft   40 kg
<b>Max. Temperature</b>	250 °C
<b>Control</b>	Knobs
<b>Type of oven</b>	Gas
<b>Voltage</b>	110 - 120V /60 Hz
<b>Ignition system</b>	Electric
<b>Type of mounting</b>	Built- in

## PODs

- Safety valve.
- 2 racks.
- 1 grease drip tray.
- Double gas burner: upper and lower.
- 2 natural gas nozzles.
- 1 gas connector.
- 1 elbow connector.
- Double interior lighting.
- Timer



## GAS GRILL

- EUROPA 60 GAS GRILL
- NORTEAMÉRICA 90 GAS GRILL

### EUROPA 60 GAS GRILL AIR

**1 YEAR**  
warranty

**DR**

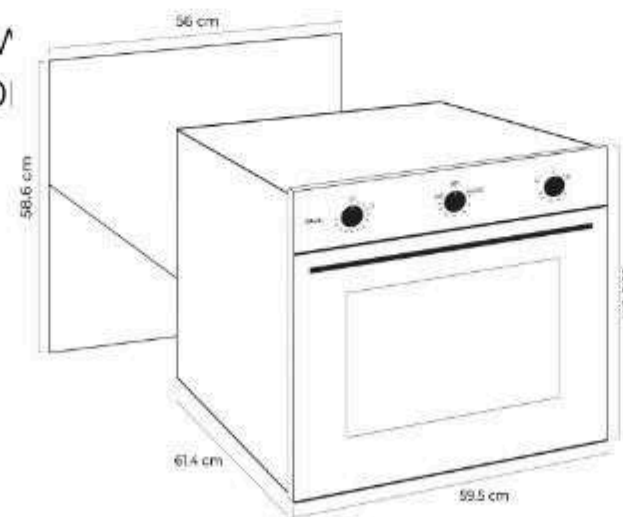


Upper burner  
7,300 BTU- 2.2 kw

Lower burner  
8,530 BTU - 2.5 kw



Power 4640V  
15,800



#### Built-in timer

Shuts off the electric function and includes an alarm to remind you when gas is in use — control your cooking times with precision and ease.

### POD



#### Perfect results, every time

Master any recipe with the versatility to bake everything from delicate cakes to perfectly golden finishes.



#### Compact and functional for small spaces

Perfect for families who cook different types of recipes often



#### Fan convection

The convection system distributes heat evenly throughout the oven, ensuring that your dishes cook evenly, in less time, and with more professional results.



#### Rotisserie

Internal rotating accessory that transforms the oven into a rotisserie-type grill, rotating automatically to achieve even cooking and homogeneous browning.



#### Air Fryer tray

Designed to transform your built-in oven into an air fryer. Its design allows for 360° hot air circulation, achieving a crispy, air-fried texture.



#### Triple glass door

The triple-glass door stays cool to the touch, while the dual interior lights give you a full view of the cooking process.

### spec.

<b>Size</b>	60 cm
<b>Dimensions(cm)</b> (W x D x H)	59.5 × 61.4 × 59.8
<b>Materials</b>	Smoked tempered glass aluminum edges   gray enamel
<b>Capacity   Weight</b>	72 L- 2.54 .Cu.ft   41.7 kg
<b>Max. Temperature</b>	250 °C
<b>Control</b>	Knobs
<b>Type of oven</b>	Gas- Grill   Convection oven
<b>Voltage</b>	220/240V – 50/60 Hz
<b>Ignition system</b>	Electric
<b>Type of mounting</b>	Built- in

#### PODs

- Safety valve.
- 2 racks.
- 1 grease drip tray.
- Burners: 1 electric + 1 gas
- Easy-to-clean cavity.
- Interior lighting with 2 bulbs.

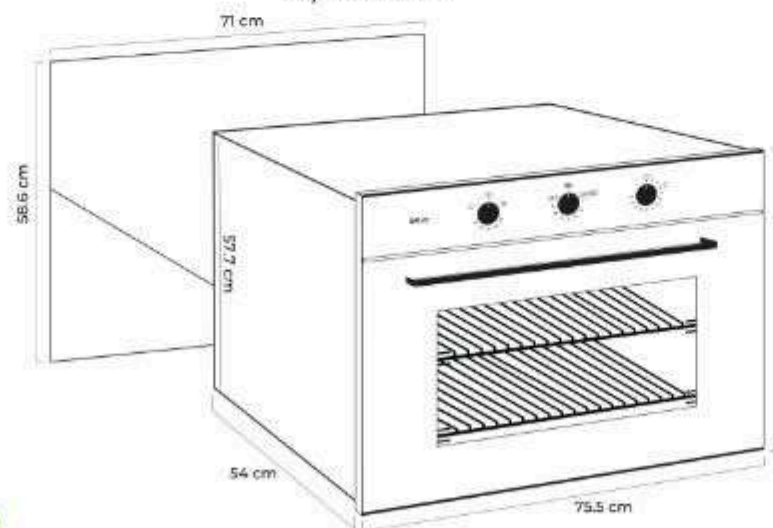
### ROMA 76 GAS GRILL

**1 YEAR**  
warranty

**DR**



**Potencia** 3600 W  
12,283 TU



#### Built-in timer

Shuts off the electric function and includes an alarm to remind you when gas is in use — control your cooking time with precision and ease.

### POD



#### Large capacity

Cook without limits for your family and guests, preparing multiple dishes at the same time with total convenience.



#### Multifunctional

Master any recipe with the versatility of multiple cooking modes in a single oven—from delicate baking to crispy air-fried results.



#### Fan Convection

The convection system distributes heat evenly throughout the oven, ensuring your dishes cook uniformly, in less time, and with more professional results.



#### Triple glass door

The triple-glass door stays cool to the touch, while the dual interior lights give you a full view of the cooking process.



#### Cooling system

Feel safe with a door that stays cool while cooking more efficiently by keeping the heat where it belongs—inside the oven, with a built-in cooling system.



#### Complete kitchen

- 2 racks
- Rotisserie spit
- 1 Air Fryer basket

#### PODs

- Interior lighting
- Burners: 2 electric + 1 gas
- Safety valve
- Electric ignition
- 1 grease collection tray
- 2 racks
- Air Fryer basket
- Rotisserie spit
- 4 burners

### spec.

<b>Size</b>	90 cm
<b>Dimensions(cm)</b> (W x D x H)	89.5 × 54.6 × 59.5
<b>Materials</b>	Smoked tempered glass + aluminum edges   black enamel
<b>Capacity   Weight</b>	78 L   40 kg
<b>Max. Temperature</b>	250 °C
<b>Control</b>	Knobs
<b>Type of oven</b>	Gas- Grill   Convection oven
<b>Voltage</b>	220/240V – 50/60 Hz
<b>Ignition system</b>	Electric
<b>Type of mounting</b>	Built-in

### EUROPA 60 GAS GRILL

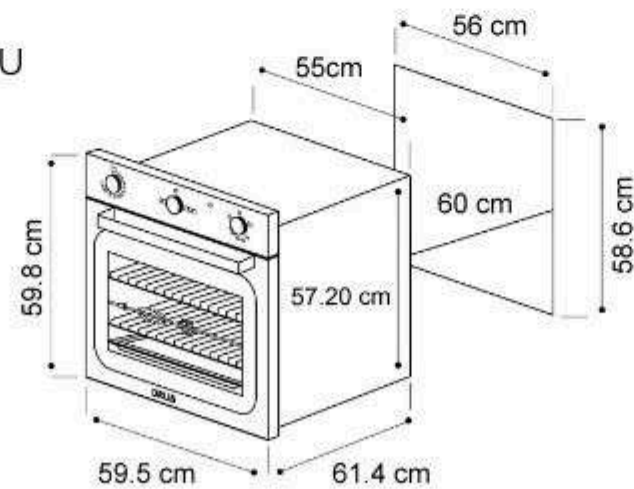
**1 YEAR** warranty **DR**

Upper burner  
7,300 BTU- 2.2 kw

Lower burner  
8,530 BTU - 2.5 kw



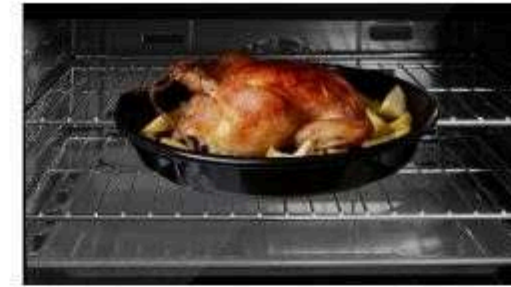
**Power** 4640W  
15,800BTU



#### Built-in timer

Shuts off the electric function and includes an alarm to remind you when gas is in use — control your cooking times with precision and ease.

### POD



#### Perfect results, every time

Master any recipe with the versatility to bake everything from delicate cakes to perfectly golden finishes.



#### Triple glass door

The triple-glass door stays cool to the touch, while the dual interior lights give you a full view of the cooking process.



#### Knobs control

The knobs are designed to give you precise, intuitive control of the heat, making it easy to adjust the temperature of each burner or cooking zone.



#### Fan convection

The convection system distributes heat evenly throughout the oven, ensuring that your dishes cook evenly, in less time, and with more professional results.



#### Cooling system

Feel safe with a door that stays cool while cooking more efficiently by keeping the heat where it belongs—inside the oven, with a built-in cooling system.



#### Compact and functional for small spaces

Perfect for families who cook different types of recipes often

### spec.

#### Size

**Dimensions(cm)**  
(W x D x H)

60 cm  
59.5 × 61.4 × 59.8

#### Materials

Black glass | grey enamel on the inside | 304 Stainless steel edges

#### Capacity | Weight

72 L- 2.54 .Cu.ft | 41.7 kg

#### Max. Temperature

250 °C

#### Control

Knobs

#### Type of oven

Gas- Grill | Convection oven

#### Voltage

220/240V – 50/60 Hz

#### Ignition system

Electric

#### Type of mounting

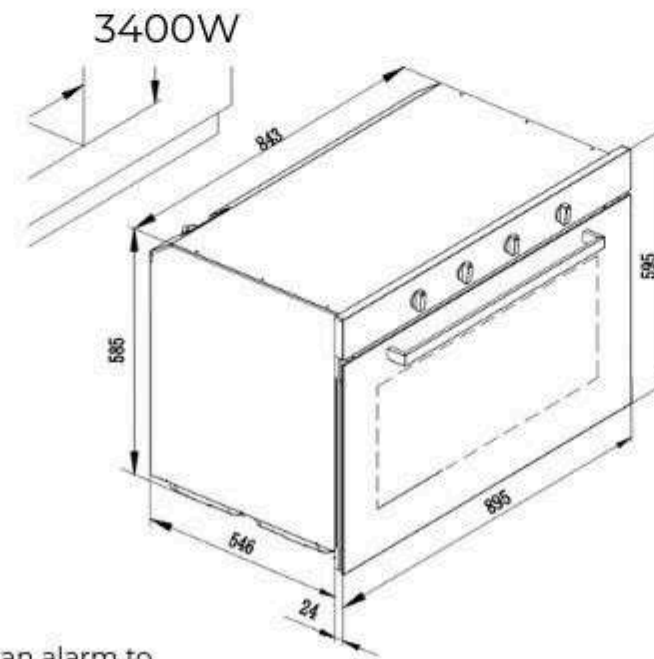
Built- in

#### PODs

- Safety valve.
- 2 racks.
- 1 grease drip tray.
- Burners: 1 electric + 1 gas
- Easy-to-clean cavity.
- Interior lighting with 2 bulbs.

### NORTEAMÉRICA 90 GAS GRILL

**1 YEAR** warranty **DR**



#### Built-in timer

Shuts off the electric function and includes an alarm to remind you when gas is in use — control your cooking time with precision and ease.

### POD



#### Dual True Convection

Combines two convection fans with strategically placed burners to deliver uniform heat distribution and enhance browning and crispiness.



#### Large capacity

Cook without limits for the whole family and your guests, preparing multiple dishes at once with total ease.



#### Multifunctional

Master any recipe with the versatility of multiple cooking modes in a single oven, from delicate bakes to crispy air-fried dishes.



#### Triple glass door

The triple-glass door stays cool to the touch, while the dual interior lights give you a full view of the cooking process.



#### Cooling system

Feel safe with a door that stays cool while cooking more efficiently by keeping the heat where it belongs—inside the oven, with a built-in cooling system.



#### Complete kitchen

- 2 racks
- Rotisserie spit Rod
- 2 air fryer baskets
- Grease-catching tray
- Total versatility for all your cooking needs

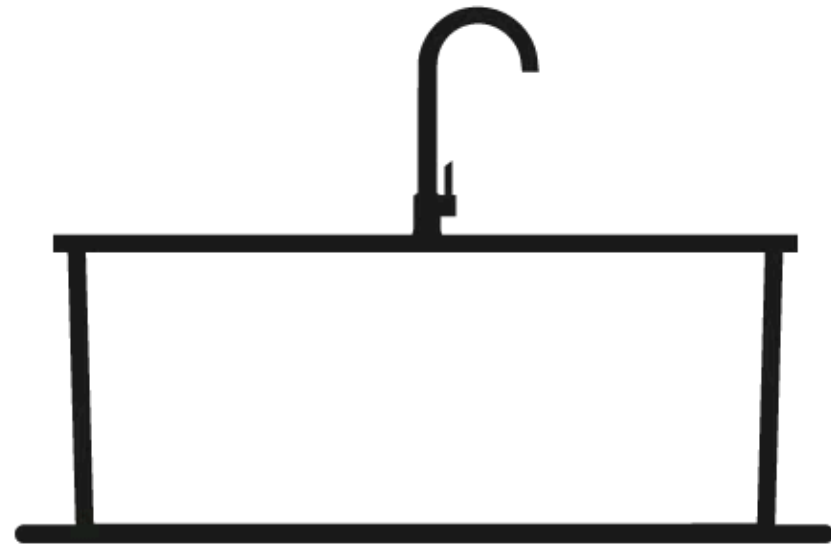
### spec.

<b>Size</b>	90 cm
<b>Dimensions(cm)</b> (W x D x H)	89.5 x 54.6 x 59.5
<b>Materials</b>	Black glass   black enamel on the inside   304 Stainless steel edges
<b>Capacity   Weight</b>	135 L   50 kg
<b>Max. Temperature</b>	250 °C
<b>Control</b>	Knobs
<b>Type of oven</b>	Gas- Grill   Convection oven
<b>Voltage</b>	220/240V – 50/60 Hz
<b>Ignition system</b>	Electric
<b>Type of mounting</b>	Built- in

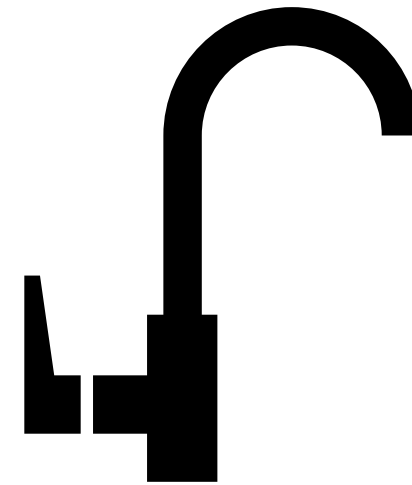
#### PODs

- Safety valve.
- 2 racks.
- 1 grease drip tray.
- Burners: 1 electric + 1 gas
- Easy-to-clean cavity.
- Interior lighting with 2 bulbs.

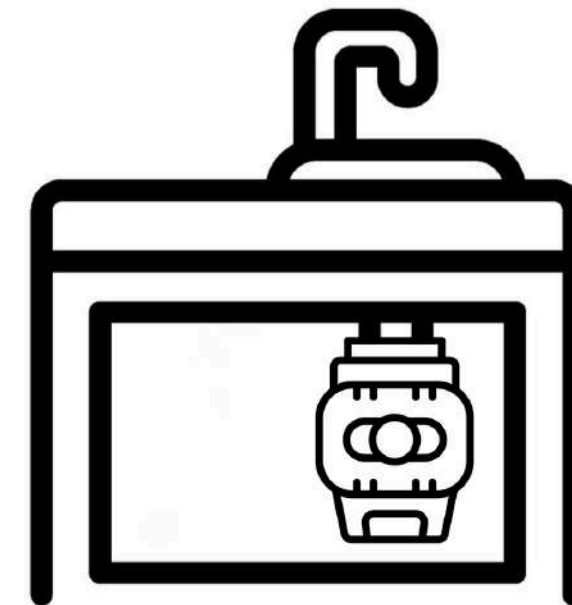
# SINK COMPONENTS



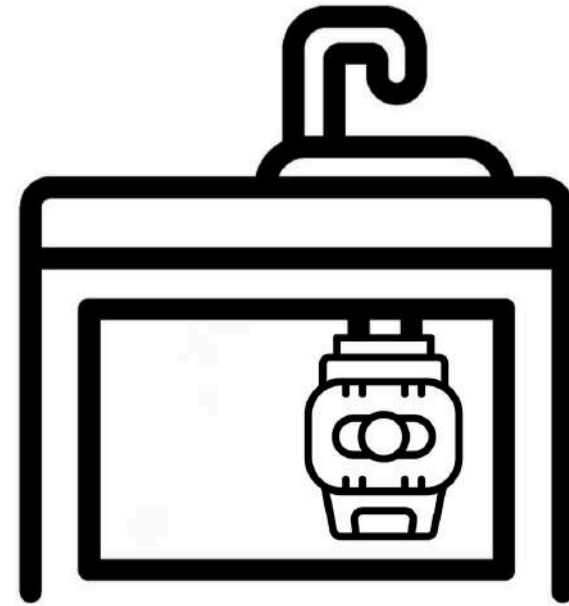
**SINKS**



**FAUCETS**



**FOOD WASTE DISPOSER**



# FOOD WASTE DISPOSER

| • FRANTOIO

### FRANTOIO 1/2 HP

**1 YEAR** warranty **DR**



#### Recommendation

For secure installation, it is advisable to acquire a pulse-type air switch to operate the food disposer, as this type of switch aids in accident prevention.

## POD

## spec.



#### Efficient power in a compact size

With 370W (1/2 HP), it delivers strong performance without taking up much space.



#### Galvanized steel material

Resistant to humidity and highly durable, ensuring a long service life.



#### Prevents unpleasant odors

The anti-jam rotating impellers maintain a continuous and efficient flow, preventing waste buildup and extending the system's lifespan.



#### Compact and lightweight

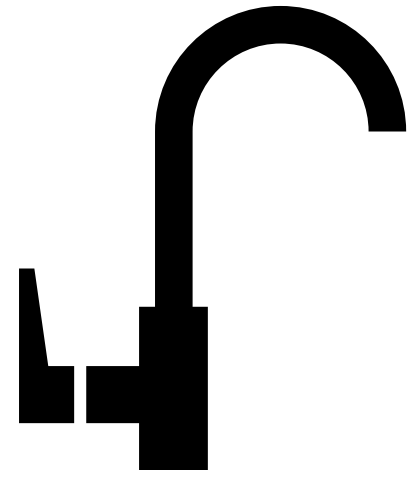
- Small size:
- Fits under most sinks (350 mm x 178 mm).
  - Net weight of 3.7 kg: light and easy to handle.

#### PODs

- Grinds food in a single stage
- Dishwasher connection: 7/8" (25 mm), compatible with most dishwashers.
- Overheat protection for added safety.

<b>Power</b>	370W
<b>RPM</b>	3800 - 2500
<b>Motor HP</b>	1/2 HP
<b>Dimensions (cm)</b>	35 x 17.8
<b>Net weight</b>	3,7 kg
<b>Grinder material</b>	Polypropylene - Galvanized Steel
<b>Drain flange material</b>	SS = Inox (durable). POM = polyacetal reinforced with fiberglass
<b>Grinding chamber</b>	BMC - designed specifically for grinding organic food
<b>Noise Level</b>	63 dB
<b>ignition type</b>	directly to a wall outlet
<b>Voltage/ Frequency</b>	120 V/ 60 Hz
<b>Power Cord</b>	1 Meter





# **FAUCETS**

- PISA BLACK
- PISA GOLD

**PISA BLACK | GOLD**

**1 YEAR** warranty **DR**



**POD**

**Design and aesthetics**  
Grid-patterned base finish improves grip, resists fingerprints, and adds visual elegance.

**Dual-function sprayer**  
2 water outlet modes:  
• Cone-shaped spray.  
• Water column.

**Metal body with non-slip texture**  
The checkered finish on the base enhances grip, resists fingerprints, and contributes to visual elegance.

**Single handle faucet**  
Easily control water temperature and pressure with one hand thanks to its ergonomic and precise side handle design. Ideal for a smooth, comfortable, and uninterrupted kitchen experience.

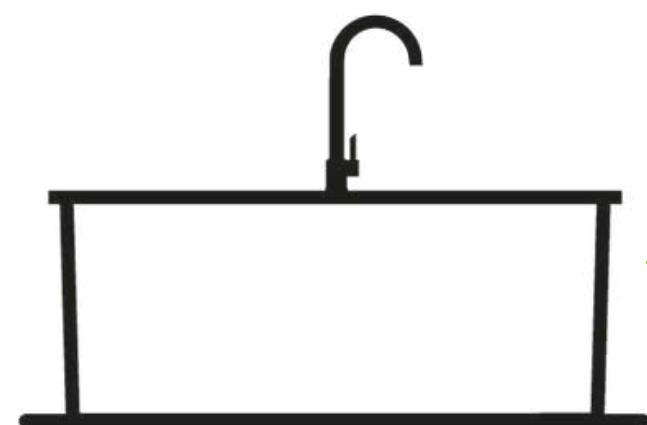
**60 cm flexible hose**  
Inverted "U"-shaped spout covered with flexible black silicone hose, perfect for directing water flow. Side single-lever handle.

**Premium design in two exclusive finishes**  
Available in brushed gold and brushed black, it presents a modern style

**spec.**

<b>Model</b>	<b>Pisa</b>
<b>Type</b>	Tap
<b>Materials</b>	Metal
<b>Faucets</b>	Rotating handle
<b>Dimensions (cm)</b> <small>width x height</small>	27 × 55
<b>Weight</b>	2.6 /2.8 kg

\*\*\*Some images are for illustrative purposes only.



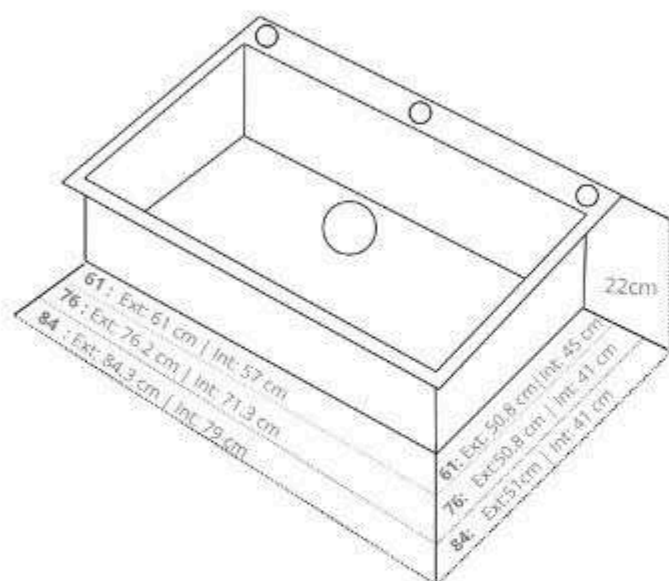
## SINKS

- BOLONIA 61
- BOLONIA 76
- BOLONIA 84
- LUCCA 84
- CIRELLA 68
- SIENA 75
- SIENA 84
- MURANO 61
- MURANO 76
- MURANO 84
- AMALFI76
- AMALFI 84
- CAPRI 76
- CAPRI 84

### BOLONIA | 61 | 76 | 84

**1 YEAR**  
warranty

**DR**



**BOLONIA 61** 61 cm x 50.8 cm x 22 cm

**BOLONIA 76** 76.2 cm x 50.8 cm x 22 cm

**BOLONIA 84** 84.3 cm x 50.1 cm x 22 cm

#### Includes

- Pull-out single-lever stainless steel faucet (hot/cold water)
- 500 ml soap dispenser
- Round lid with integrated drainer
- Glass rinser
- Adjustable draining basket
- Installation kit

## POD



#### Design that blends luxury and functionality

Elegant satin-finish stainless steel enhances any modern kitchen, offering durability and sophistication in every detail.



#### Premium faucets for enhanced functionality

Main pull-out faucet with two water outlet modes:

- Spray Mode
- Water column
- Glass rinser



#### More space and comfort for washing

With a generous 22 cm depth, washing large pots or preparing food becomes easier and more efficient.



#### Noise-reduction system

Enjoy a quieter kitchen thanks to advanced sound-absorbing technology that reduces water noise and the impact of utensils.



#### Anti-overflow system

Avoid accidental flooding with the built-in overflow system. Peace of mind, even if you forget to turn off the tap.



#### Accessories that elevate your experience

Each model includes:

- 500 ml soap dispenser
- Glass rinser
- Drainer
- Adjustable basket

All designed to create an organized, efficient and stylish workspace.

## spec.

#### Model

#### Type

#### Material

#### Thickness

#### Faucets

#### Dimensions (cm)

(W x D x H)

#### Internal dimensions

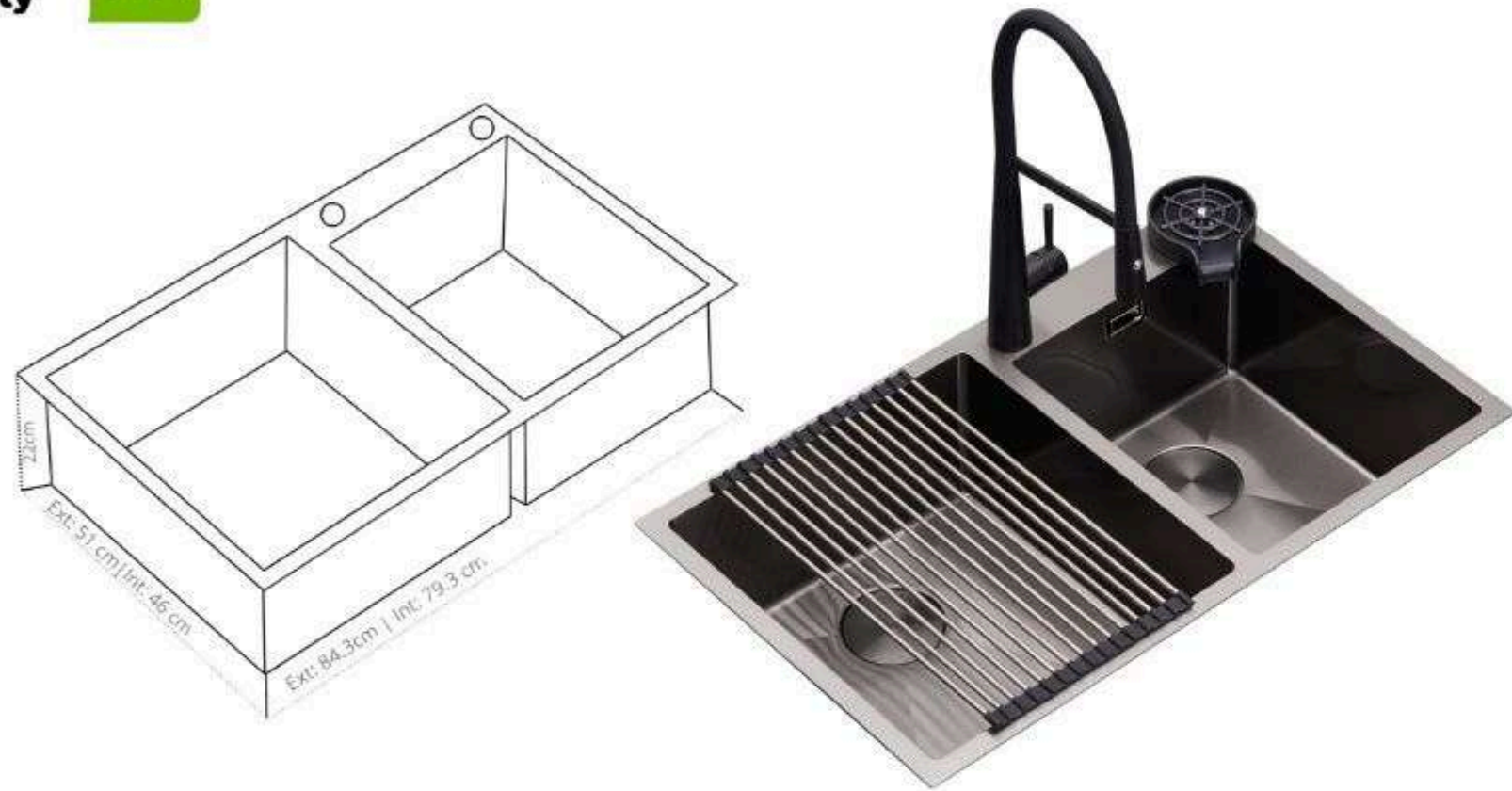
#### Weight

#### Accessories

	<b>Bolonia 61</b>	<b>Bolonia 76</b>	<b>Bolonia 84</b>
<b>Model</b>	Individual	Individual	Individual
<b>Type</b>	Stainless steel	Stainless steel	Stainless steel
<b>Material</b>	304 Satin	304 Satin	304 Satin
<b>Thickness</b>	0.8 + 3.0 mm	0.8 + 3.0 mm	0.8 + 3.0 mm
<b>Faucets</b>	Removable Inox single-handle faucet	Removable Inox single-handle faucet	Removable Inox single-handle faucet
<b>Dimensions (cm)</b>	61 x 50.8 x 22	76.2 x 50.8 x 22	84.3 x 50.1 x 22
<b>Internal dimensions</b>	57 x 45	71.3 x 41	79 x 41
<b>Weight</b>	10.0 / 12.0 kg	14.5 / 16.5 kg	12.6 / 14.6 kg
<b>Accessories</b>	Drain cover featuring a 114mm drainer and a 1.5-inch pipe.		

## LUCCA 84

**1 YEAR** warranty **DR**



LUCCA 84

84.3 cm x 51 cm x 22 cm

### Includes

- Draining rack.
- Round lid with drainer.
- Basic installation kit.
- Glass rinser.

## POD



### Double sink for double convenience

Wash and rinse at the same time with the spacious double-bowl design. More room, more efficiency.



### Noise-reduction system

Enjoy a quieter kitchen thanks to advanced sound-absorbing technology that reduces water noise and the impact of utensils.



### Luxury black faucet with pull-out hose

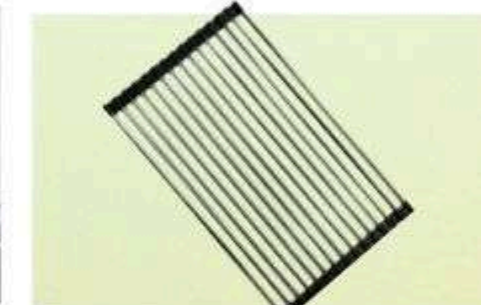
Two water outlet modes:

- Cone-shaped spray.
- Water column.



### Anti-overflow system

Avoid accidental flooding with the built-in overflow system. Peace of mind, even if you forget to turn off the tap.



### Drain rack

Keep your sink spotless while draining utensils and food safely, hygienically, and scratch-free.



### Glass rinser

The glass rinser instantly removes residue with a powerful water jet. Perfect for wine glasses, mugs, and bottles. Fast, effortless cleaning.

## spec.

### Model

### Type

### Material

### Thickness

### Faucets

### Dimensions (cm)

(W x D x H)

### Internal dimensions

### Weight

### Accessories

## LUCCA 84

Doble Tub

Stainless steel 304 Satin  
0.8 + 3.0 mm

Black pull-out single-lever faucet  
(hot and cold water)

84.3 x 51.8 x 22

76.8 x 48

12.6 / 27.72 kg

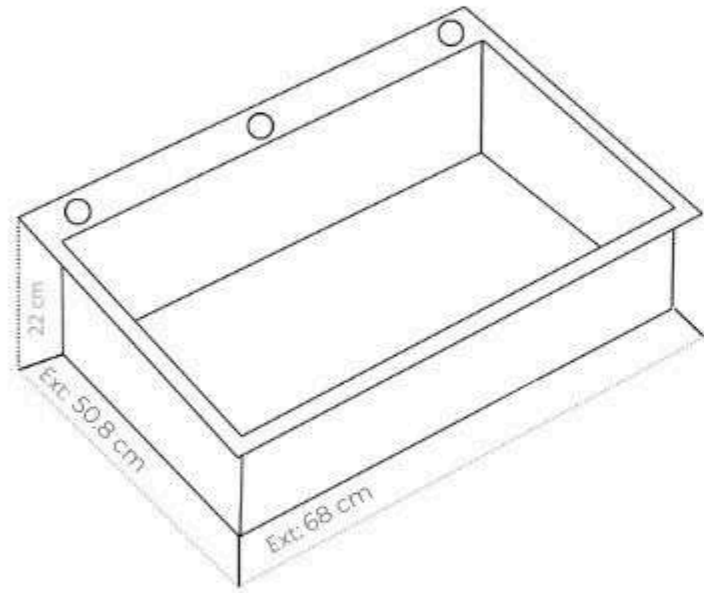
Drain cover featuring a 114mm drainer and a 1.5-inch pipe.

### CIRELLA 68

**1 YEAR**  
warranty

**DR**

**NEW**



CIRELLA 68

68 x 50.8 x 22 cm

#### Includes

- Square drain cover.
- Water flow knob.
- Soap dispenser (500 ml).
- Drain kit.
- Cup rinser.
- Basic installation kit with plumbing.

### POD

#### Design that blends luxury and functionality

Elegant satin-finish stainless steel enhances any modern kitchen, offering durability and sophistication in every detail.



**Cutting board and draining tray for use together**

#### Premium faucets for enhanced functionality

Main pull-out faucet with two water outlet modes:

- Spray Mode
- Water column.
- Glass rinser



#### Anti-overflow system

Avoid accidental flooding with the built-in overflow system. Peace of mind, even if you forget to turn off the tap.



#### Multifunctional faucet

Pull-Out Multi-Function Spray Head:

- Continuous Stream
- Precision Spray
- Continuous Sweep



#### Instant Rinse with Just One Press

The glass rinser instantly removes residue with a powerful jet of water. Ideal for glasses, cups, and bottles. Quick, effortless cleaning.

### spec.

#### Model

#### Type

#### Material

#### Thickness

#### Faucets

#### Dimensions (cm)

(W x D x H)

#### Weight

#### Accessories

#### CIRELLA 68

Individual

Stainless steel  
304 Satin

0.8 + 3.0 mm

Single-lever pull-out waterfall faucet in stainless steel with swivel neck

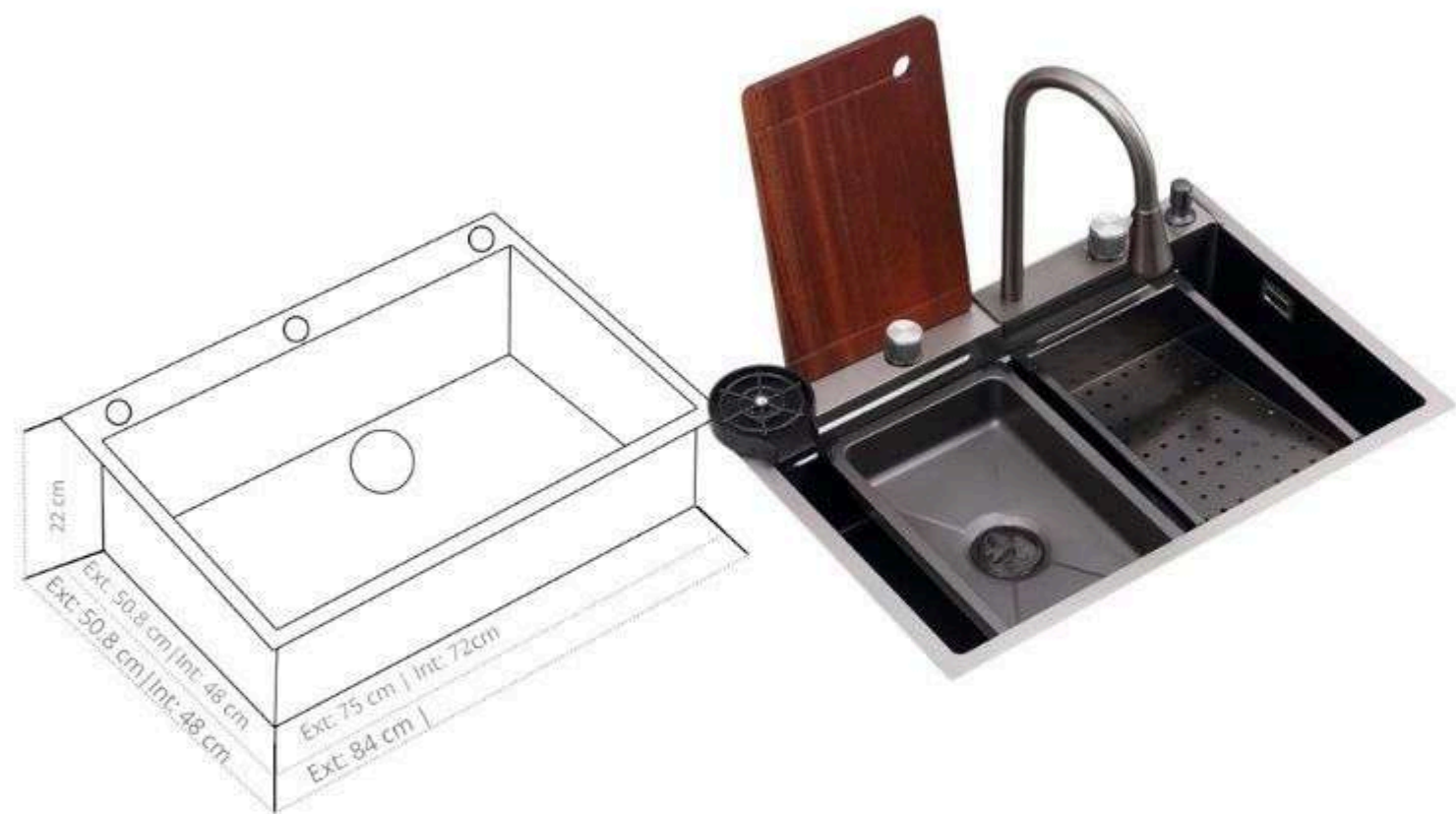
68 x 51 x 22

12.2 /14.2 kg

Drain cover featuring a 114mm drainer and a 1.5-inch pipe.

### SIENA 75 | 84

**1 YEAR**  
warranty



SIENA 75 75 × 50.8 × 22 cm

SIENA 84 84 × 50.8 × 22 cm

#### Includes

- Luxury square drain cover
- Wooden cutting board
- Washing tray
- Draining tray
- Water flow control knob
- Soap dispenser (500 ml)
- Drainage kit
- Glass rinser
- Basic installation kit with pipes

## POD

### Design that combines luxury and functionality

The Siena line features an elegant satin stainless steel design that enhances any modern kitchen, offering durability and sophistication in every detail.



### For Combined use

- Draining tray
- Washing tray
- Cutting board



### Water curtain

The water curtain provides a steady flow that helps rinse fruits, vegetables, and utensils quickly, preventing splashes and reducing water usage.



### Multifunctional faucet

Pull-out multi-function spray with 3 water outlet modes:

- Water column
- Pressure jet
- Water spiral



### Anti-overflow system

Avoid accidental flooding with the built-in overflow system. Peace of mind, even if you forget to turn off the tap.



### Glass rinser

The glass rinser instantly removes residue with a powerful water jet. Perfect for wine glasses, mugs, and bottles. Fast, effortless cleaning.

## spec.

### Model Type

### Material Thickness

### Faucet

### Dimensions (cm)

(W x D x H)

### Internal dimensions

### Weight

### Accessories

### SIENA 76

Individual

Stainless steel 304 Satin

0.8 + 3.0 mm

Inox waterfall-style pull-out mixer faucet (hot/cold) with a swivel neck

75 × 50.8 × 22

72 × 48

11.5 / 13.5kg

Square lid with drainer.

### SIENA 84

Individual

Stainless steel 304 Satin

0.8 + 3.0 mm

Inox waterfall-style pull-out mixer faucet (hot/cold) with a swivel neck

84 × 50.8 × 22

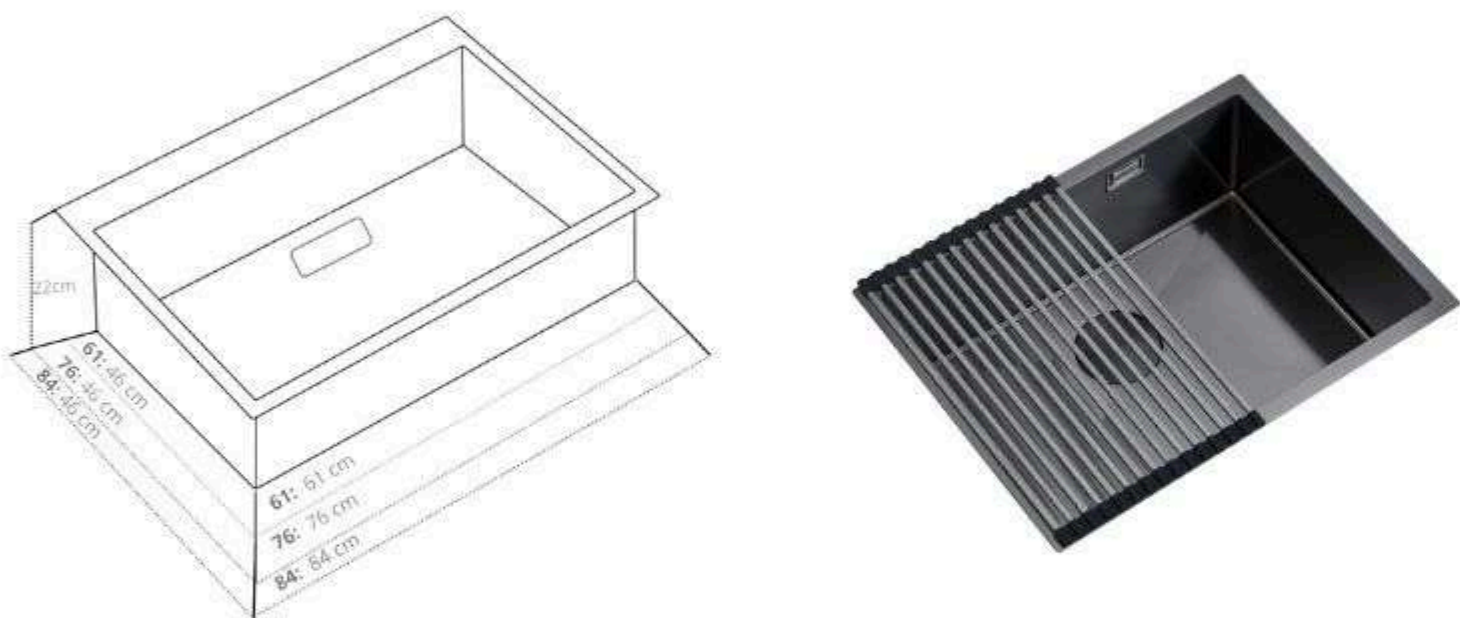
-

14.3 / 16.3 kg

Square lid with drainer.

### MURANO 61 | 76 | 84

**1 YEAR**  
warranty



MURANO 61 61 cm x 46 cm x 22 cm

MURANO 76 76 cm x 46 cm x 22 cm

MURANO 84 84 cm x 46 cm x 22 cm

#### Includes

- Drain cover. Roll-up draining rack.
- Soap dispenser (500 ml).
- Drainage kit. Basic installation kit with piping.

## POD



#### Design that blends luxury and functionality

Elegant satin-finish stainless steel enhances any modern kitchen, offering durability and sophistication in every detail.



#### Premium faucets for enhanced functionality

Main pull-out faucet with two water outlet modes:

- Spray Mode
- Water column.
- Glass rinser



#### More space and comfort for washing

With a generous 22 cm depth, washing large pots or preparing food becomes easier and more efficient.



#### Noise-reduction system

The glass rinser instantly removes residue with a powerful jet of water. Ideal for glasses, cups, and bottles. Quick, effortless cleaning.



#### Anti-overflow system

Avoid accidental flooding with the built-in overflow system. Peace of mind, even if you forget to turn off the tap.



#### Accessories that elevate your experience

Each model includes:

- 500 ml soap dispenser
- Glass rinser
- Drainer
- Adjustable basket

All designed to create an organized, efficient and stylish workspace.

## spec.

#### Model

#### Type

#### Material

#### Thickness

#### Faucets

#### Dimensions (cm) (W x D x H)

#### Weight Instalation

#### MURANO 61

Individual  
Stainless steel  
304 Satin  
0.8 + 3.0 mm  
Removable Inox  
single-handle faucet

61 x 50.8 x 22

11.5/ 13.5 kg

Undermount

#### MURANO 76

Individual  
Stainless steel  
304 Satin  
0.8 + 3.0 mm  
Removable Inox  
single-handle faucet

76.2 x 50.8 x 22

12.5/14.5 kg

#### MURANO 84

Individual  
Stainless steel  
304 Satin  
0.8 + 3.0 mm  
Removable Inox  
single-handle faucet

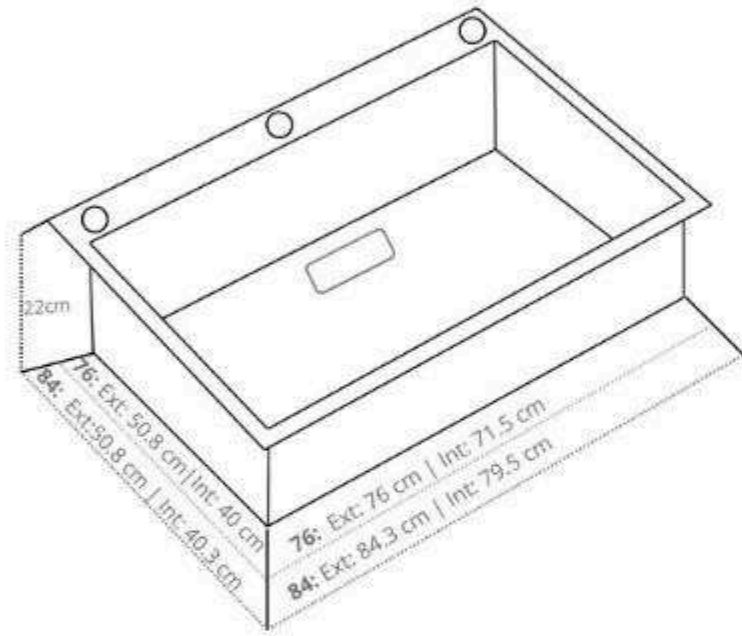
84.3 x 50.1 x 22

13.3/15.3 kg

### AMALFI 76 | 84

**1 YEAR** warranty **DR**

**NEW**



AMALFI 76 75 cm x 51 cm x 22 cm

AMALFI 84 84 cm x 51 cm x 22 cm

#### Includes

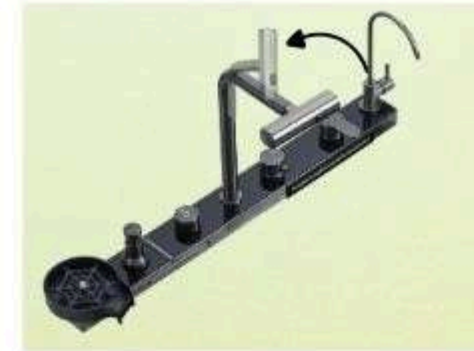
- 500ml soap dispenser.
- Washing tray.
- Glass rinser.
- Water filter tap.
- Overflow prevention system.
- Basic installation kit with pipes.

## POD



#### Luxury design that elevates any kitchen

The sink combines modern style and premium finishes to transform your kitchen into a sophisticated, functional space.



#### Multifunctional faucet

Main faucet with 90° rotating pull-out and three modes:

- Rail mode
- Water column
- High-pressure stream



#### Multifunctional controls

- Water curtain.
- Waterfall flow
- Water filter faucet
- Glass rinser.



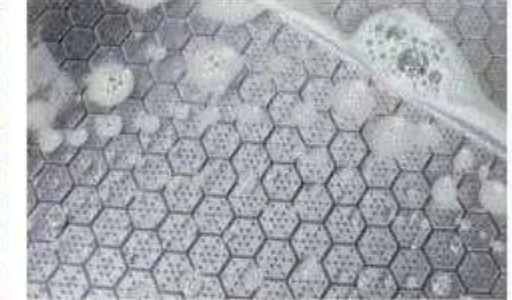
#### Washing tray and draining tray

Wash and drain: fruits, vegetables, and delicate utensils without using the main sink – ideal for separating tasks and improving food hygiene.



#### 2-in-1 versatility for every cut

One side for raw foods and the other for fruits and vegetables, providing greater hygiene and practicality during preparation.



#### Satin-finish 304 stainless steel

Made from satin-finish 304 stainless steel with a honeycomb design that improves drainage, makes cleaning easier, and enhances durability.

## spec.

#### Model Type

#### Material

#### Thickness Faucets

#### Dimensions (cm)

#### Internal dimensions

#### Weight

#### Accessories

#### AMALFI 76

Individual

Stainless steel 304 Satin

0.8 + 3.0 mm

Multifunctional faucet crafted from Inox

75 x 51 x 22

71.5 x 40

17.6 / 19.6 kg

Drain Kit

#### AMALFI 84

Individual

Stainless steel 304 Satin

0.8 + 3.0 mm

Multifunctional faucet crafted from Inox

84 x 51 x 22

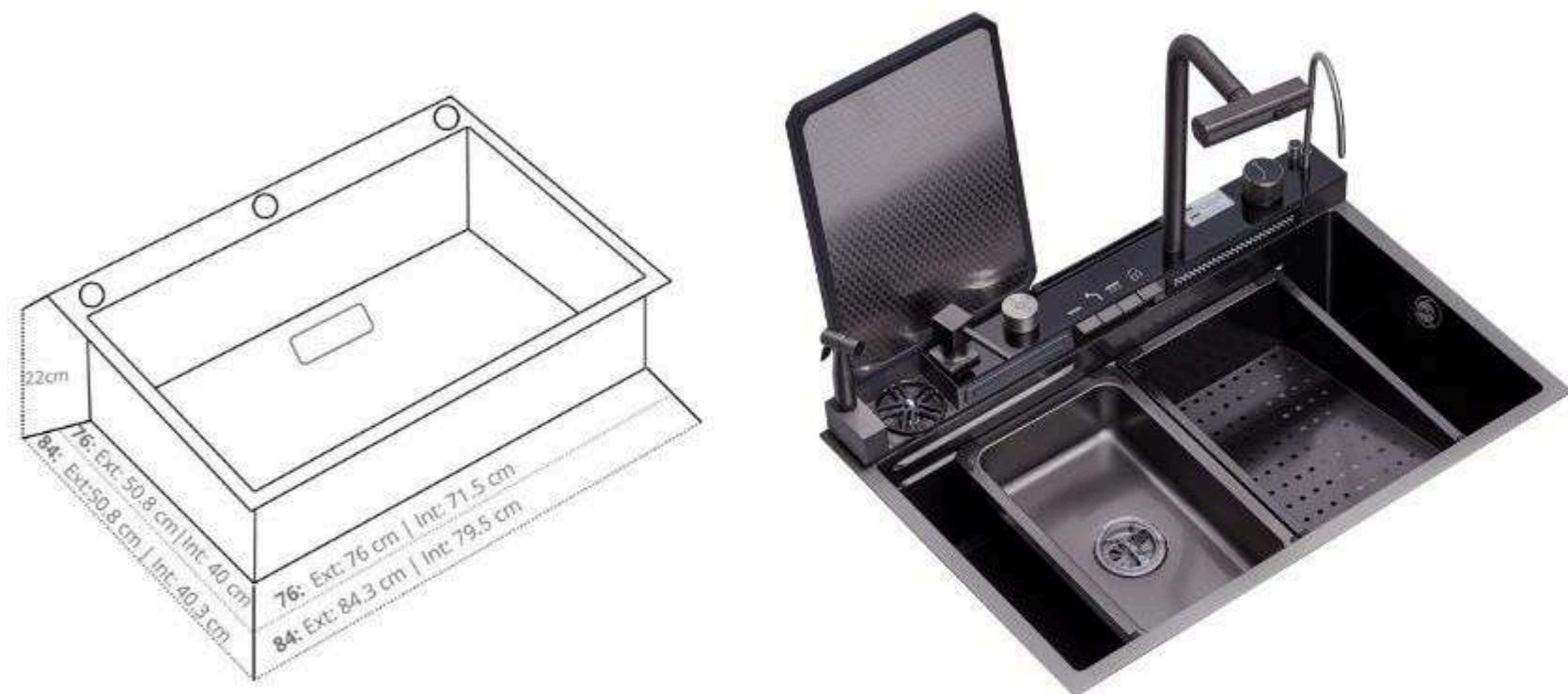
79.5 x 41

18.9 / 20.9kg

Drain Kit

### CAPRI 76 | 84

**1 YEAR** warranty **DR**



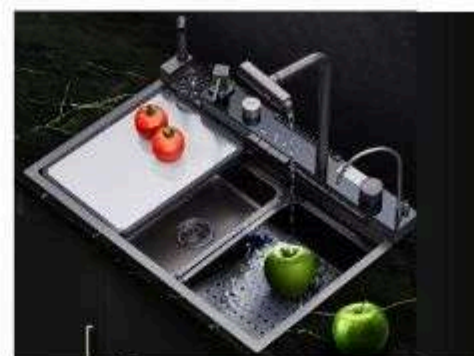
CAPRI 76 76. cm x 50.8 cm x 22 cm

CAPRI 84 84.3 cm x 51 cm x 22 cm

#### Includes

- 500 ml soap dispenser
- Washing tray
- Multi-purpose drainer
- Drip tray
- Glass rinser
- Water filter faucet
- Knife holder
- Overflow prevention system
- Basic installation kit with pipes

## POD



#### Luxury design that elevates any kitchen

The Capri sink combines modern style and premium finishes to transform your kitchen into a sophisticated, functional space.



#### Multifunctional faucet

Main faucet with 90° swivel and three spray modes:

- Rainfall
- Water column
- High-pressure stream



#### Digital display with multifunction knobs and buttons

- Water curtain.
- Waterfall.
- Water filter.
- High-pressure spray gun.
- Glass rinser.



#### Washing tray and draining tray

Wash and drain: fruits, vegetables, and delicate utensils without using the main sink – ideal for separating tasks and improving food hygiene.



#### Honeycomb design

The stainless steel makes it more scratch-resistant. Its honeycomb pattern with water guide ensures quick drainage, making cleaning much easier.



#### 2-in-1 versatility for every type of cutting

One side for meats and raw foods, the other in plastic for fruits and vegetables. More hygiene, more practicality, less cross-contamination.

## spec.

#### Model Type

#### Material

#### Thickness Faucets

#### Dimensions (cm)

(W x D x H)

#### Internal dimensions

#### Weight

#### Accessories

#### Capri 76

Individual

Stainless steel 304 Satin

0.8 + 3.0 mm

Multifunctional digital faucet crafted from Inox

76 x 50.8 x 22

71.5 x 40

19.0 / 21.0 kg

Drain Kit

#### Capri 84

Individual

Stainless steel 304 Satin

0.8 + 3.0 mm

Multifunctional digital faucet crafted from Inox

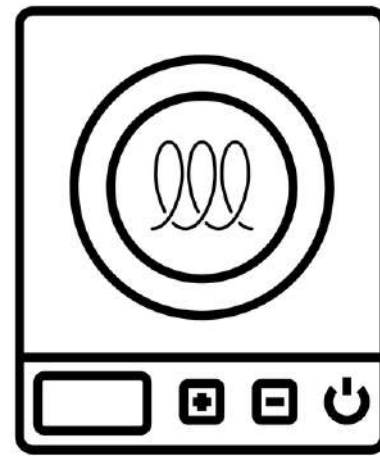
84.3 x 51 x 22

79.5 x 41

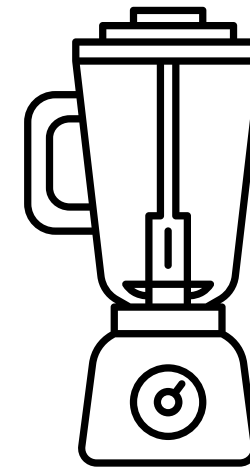
20.0 / 22.0 kg

Drain Kit

# SMALL APPLIANCES



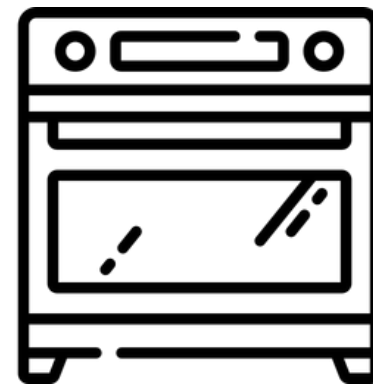
**PORTABLE HOB**



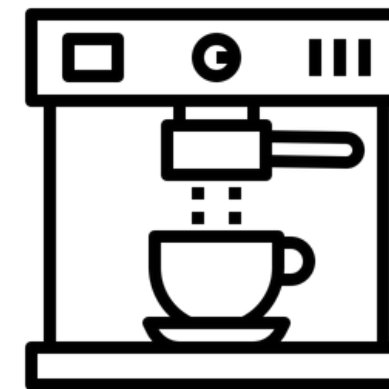
**BLENDER**



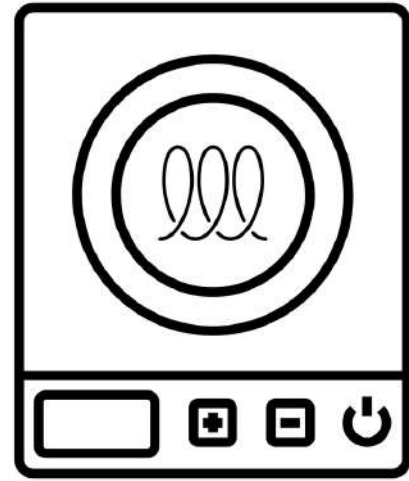
**COOKWARE SET**



**ELECTRIC  
OVEN**



**COFFEE  
MACHINE**

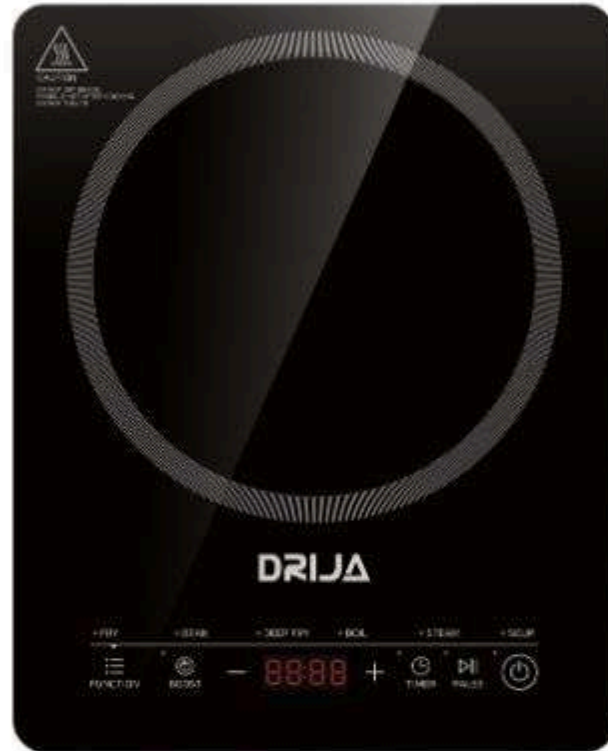


# PORTABLE COOKER

- MUNICH 28  
INDUKTION

### MUNICH 28 INDUKTION

**1 YEAR**  
warranty



1500 W



#### Powerful superconducting magnet

Upon activating the induction cooker, a magnetic field induces rapid particle movement within the pot, producing immediate heat that directly cooks the food.



## POD



#### Efficiency and Sustainability

It delivers targeted heat, improves safety, and reduces energy use without compromising performance.



#### Touch Panel

Even in a compact area, a touch screen offers a sleek, contemporary appearance without the necessity for protruding knobs.



#### Portable

The portable design facilitates effortless mobility.



#### One touch, six functions, and limitless possibilities.

**Boil** - Rapid and efficient boiling. Automatic shut-off upon completion.  
**Soup / Steam** - Automatic power regulation based on time.  
**Beans**: legumes.  
**Fry / Deep Fry**



#### Booster

The Boost function on an induction cooktop enhances the power of the cooking zone, enabling rapid heating of food or boiling of water.



#### 9 Power Levels

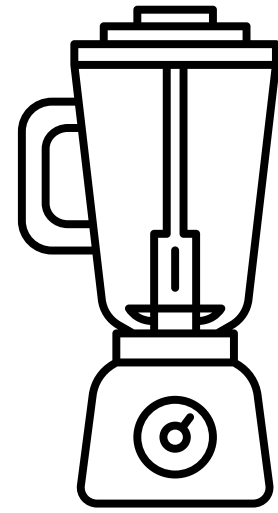
It ensures a consistent and uniform distribution of heat within the container, optimizing the outcomes of each recipe.

## spec.

<b>Size</b>	28 cm
<b>Dimensions (cm)</b> (W x D x H)	35 x 28 x 5.6
<b>Materials</b>	Black Glass Ceramic
<b>Net weight</b>	2.4 kg
<b>Timer</b>	Shut off timer
<b>Control</b>	Touch Panel
<b>Power</b>	1500 W
<b>Voltage</b>	127 V/ 50- 60 Hz
<b>Inductive material</b>	Aluminum

### PODs

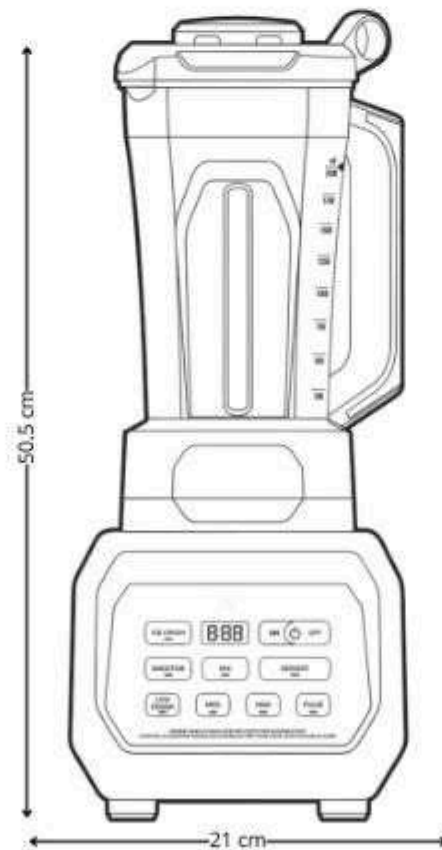
- Overheating protection.
- Quick installation.
- Corrosion-resistant.
- Anti-clogging mechanism.
- Easy to clean.



# **BLENDER**

- MISCELATORE

### MISCELATORE 1500W



## POD

## spec.



### Multifunction blender

Includes automatic programs for:

- Ice crushing
- Blending
- Mixing

**3 manual speed settings + Pulse function.**



### Smooth blend

Designed with multiple levels and strategically angled blades in a 2L jar – perfect for crushing ice, blending fruits, or preparing drinks to share.



### One-Touch system

Start functions with a single touch, saving time and effort.



### High-resistance copolyester

BPA & BPS-free material, impact and heat resistant. Maintains glass-like clarity – ideal for heavy kitchen use and perfect for preparing drinks and food.



### Personal smoothies in seconds

Individual cups are ideal for quick shakes on the go. Perfect for single servings



### Dressings and sauces

Ideal for blending small batches of dressings, vinaigrettes, and sauces. The personal cup allows quick emulsification with minimal waste.

<b>Power</b>	1500 W
<b>Nro. of Speeds</b>	3 ( High -medium- Low)
<b>Dimensions (cm)</b> <small>(W x D x H)</small>	1.6 cu.ft.   24 x 21 x 50.5
<b>Net Weight</b>	5.48 kg
<b>Control</b>	Digital panel
<b>Voltage/Frequency</b>	120 V/ 60 Hz
<b>Capacity</b>	Large pitcher: 78 oz, 2 liters 2- Individual pitchers: 28 oz, 850 ml each
<b>Color</b>	Cover and front: black



### The complete kit includes:

- Measuring cup.
- 2 personal cups.
- 1 personal blade.
- 1 x 2L jar.

\*\*\*Some images are for illustrative purposes only.



# **COOKWARE SET**

- **BUCATINI 19-B**

### BUCATINI 19-B



**Stackable and practical design**

## POD

## spec.



### Compatible con:

- Induction cooktops
- Gas cooktops
- Electric cooktops
- Vitroc ceramic cooktops



### Detachable handles

Make vertical storage easier, maximizing cabinet and shelf space.



### Pan and pot separators

Prevent friction between pieces, protecting the non-stick coating.

**Pieces**

19

**Materials**

Die-cast aluminum | steel base

**Net weight**

5.5 kg



### Marble coating non-stick

- Cook with less oil
- Improves the texture of every dish
- Quick and effortless cleaning



### High-temperature resistance

Withstands up to 446°F (230°C).



### Included utensils

- Tongs
- Spoon
- Strainer spoon



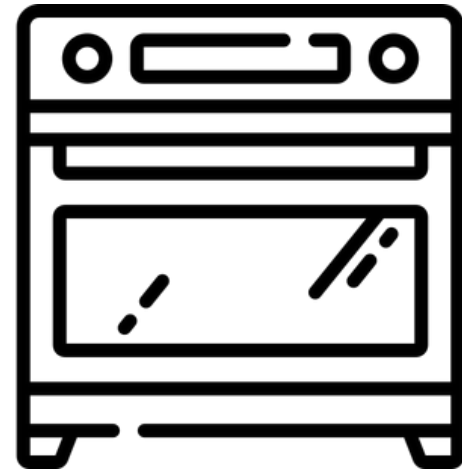
### Even heat distribution

Heat spreads quickly and evenly across the entire surface, reducing cooking time.



### 19-piece set

- 18 cm pot
- 20 cm pot
- 20 cm frying pan
- 26 cm frying pan
- 26 cm deep pan
- 26 x 26 cm grill pan
- 3 lids (18 / 20 / 26 cm)
- 2 detachable handles
- 5 separators
- 3 cooking utensils

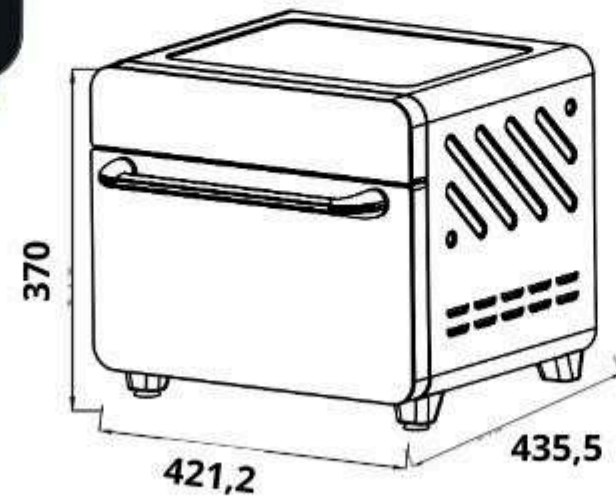


# **ELECTRIC OVEN**

| • BRUSCHETTA 25L-B

### BRUSCHETTA 25L-B

**1 YEAR**  
warranty



#### What's included?

- Baking tray
- Air Fryer basket
- Rack + tray handle

## POD



#### 25 L / 0.88 cu ft capacity

Ideal design for cooking full meals in small spaces.



#### 12 automatic cooking functions

- |              |           |
|--------------|-----------|
| Air Fryer    | Roast     |
| Toast        | Fish      |
| Pizza        | Cake      |
| Steak        | Dehydrate |
| French fries | Ferment   |
| Cookies      | Defrost   |



#### 360° cooking

Distributes heat evenly for faster, more consistent results.



#### Temperature range: 30°C to 230°C

Greater precision and convenience—perfect for users seeking simplicity and smart technology.



#### 9-hours programmable timer

Ideal for long recipes or scheduling cooking in advance.



#### Double-glass door

Keeps heat inside the oven, improving cooking efficiency.

## spec.

#### Dimensions (cm)

(W x D x H)

42.1 x 43.55 x 36.5

#### Materials

Galvanized steel cavity with plastic + stainless steel details

#### Capacity | Weight

25 L | 0.88 cuft | 9.1 kg

#### Máx. Temperature

230°C

#### Control

Digital panel

#### Power

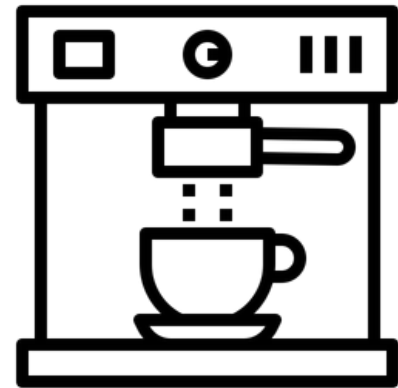
1440W

#### Voltage

127V/60Hz

### PODs

6 stainless steel heating elements



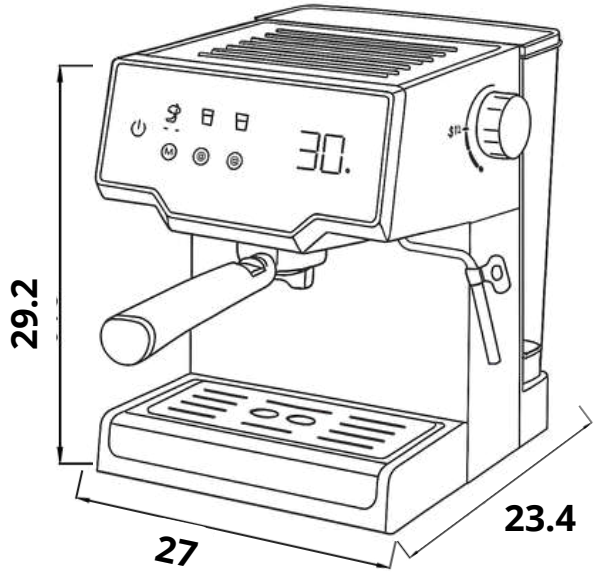
## COFFEE MACHINE

- MOCCA 8T-B
- AFOGATTO 12T-B

### MOCCA 8T-B

**1 YEAR** warranty **DR**

**NEW**



#### Cup warming area

Keeps cups at the ideal temperature to enhance coffee flavor.

- Includes**
- Single-cup filter
  - Double-cup filter
  - Funnel
  - Funnel handle
  - Measuring spoon

## POD



#### High pressure of 15 - 20 bar

Extracts maximum flavor and aroma from ground coffee, delivering a rich, dense, professional-quality crema.



#### 1.6 L water tank

Prepare up to 8 cups of coffee in a row without interruptions—ideal for home use or small offices.



#### Milk frothing capability

Allows you to froth milk and prepare cappuccinos with a rich, creamy texture. Made of stainless steel for continuous use and easy cleaning.



#### Compact, space-saving design

Its size allows installation in kitchens, offices, or small café stations without compromising capacity or functionality.



#### Steam control knob

Allows precise control of steam pressure and flow, creating fine, creamy milk foam like a professional café machine.



#### Safety valve and dual protection system

Extracts maximum flavor and aroma from ground coffee, delivering a rich, dense, professional-quality crema.

## spec.

<b>Dimensions (cm)</b> (W x D x H)	27 x 23.4 x 29.2
<b>Capacity</b>	1.6   8 cups
<b>Weight</b>	7.2 kg
<b>Control</b>	Digital panel
<b>Power</b>	850 W
<b>Voltage</b>	120V/50-60Hz

### PODs

- Drip tray.
- Cup warming area.

\*\*\*Some images are for illustrative purposes only.

### AFOGATTO 12T-B

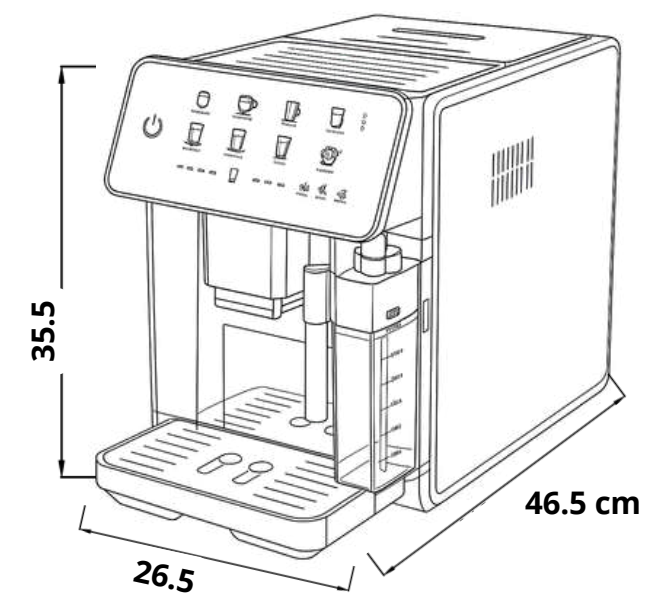
**1 YEAR** warranty **DR**

**NEW**



#### Cup warming area

Keeps cups at the ideal temperature to enhance coffee flavor.



#### Includes

- Water tank: 2.8 L
- Milk tank: 300 ml
- Bean container: 150 g
- Waste tray
- Removable coffee outlet and grounds tray

## POD



#### Conical burr grinder

Grinds beans just before brewing to ensure rich aroma and flavor. Its conical design reduces heat buildup and preserves the coffee's essential oils.



#### High pressure: 15 bars

Ensures professional extraction with thick crema and intense flavor in every espresso.



#### Water tank

The 2.8 L reservoir allows multiple drinks to be prepared without frequent refills—ideal for homes, offices, or high daily-use environments.



#### Milk tank

Includes a 300 ml tank that allows automatic milk frothing or serving for cappuccinos, lattes, and macchiatos.



#### 10 programmed functions

Up to 10 preset options for one or two cups of espresso, cappuccino, latte, café con leche, milk foam, and americano.



#### Smart alert system

LED indicators notify low water level, low beans, incorrect milk tank installation, or a full drip tray.

## spec.

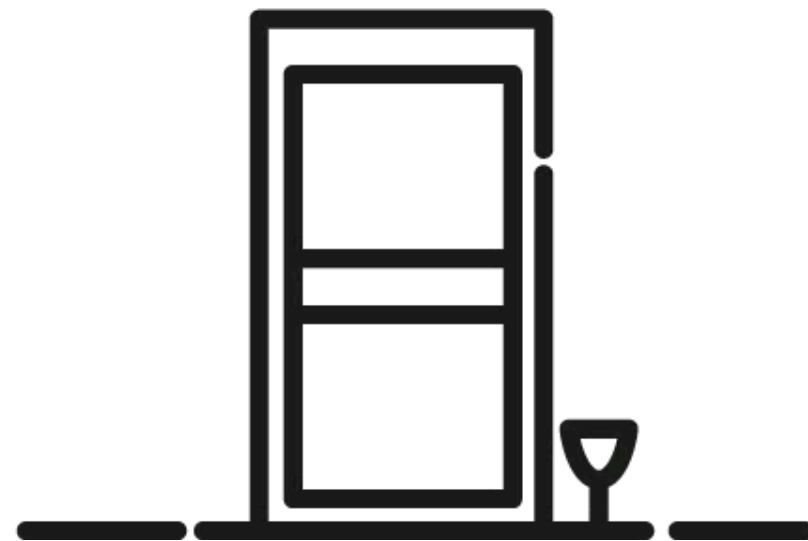
<b>Dimensions (cm)</b> <small>(An. x Prof. x Alt.)</small>	26.5 x 46.5 x 35.5
<b>Capacity</b>	12.8 L   12 cups
<b>Milk Capacity</b>	300 ml
<b>Coffee beans capacity (gr)</b>	150 g
<b>Weight</b>	11.15 kg
<b>Control</b>	Digital panel
<b>Power</b>	1350 W
<b>Voltage</b>	120V/50-60Hz

### PODs

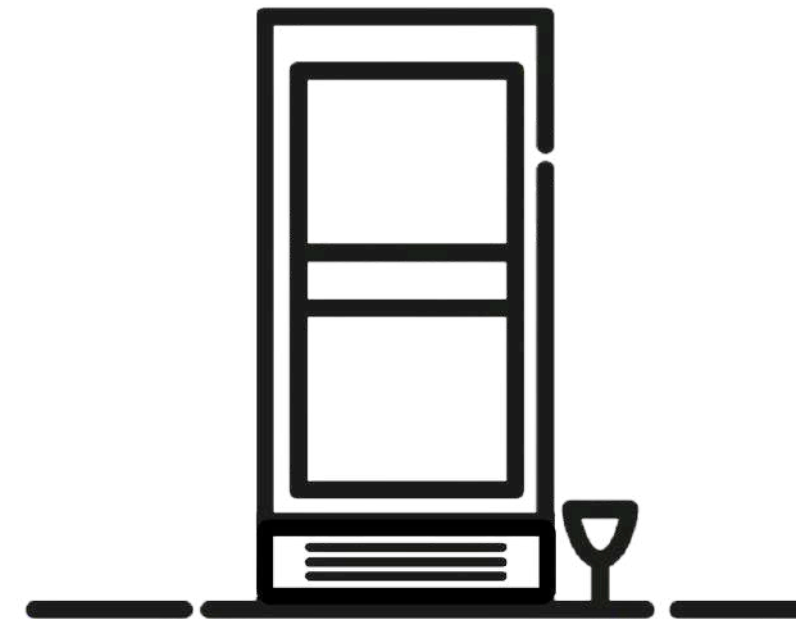
- Drip tray.
- Automatic cleaning system.

\*\*\*Some images are for illustrative purposes only.

# WINE COOLERS



**STAND ALONE**



**BUILT - IN**

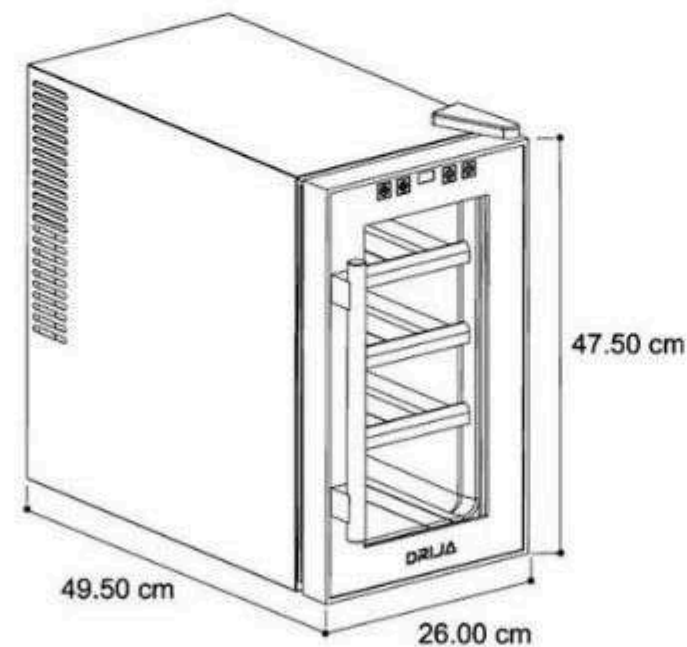


## STAND ALONE

- ROSSO 8
- TEMPRANILLO 8
- MERLOT 29

### ROSSO 8

**1 YEAR**  
warranty



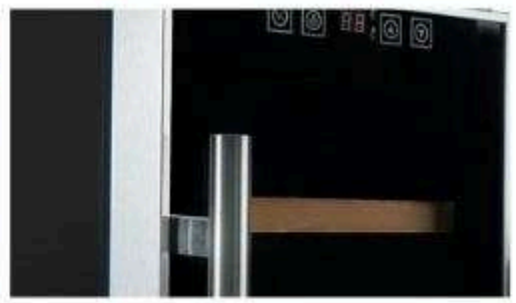
# POD



**Thermoelectric cooling**  
Maintain your wines at the optimal temperature, free from vibrations that may compromise their flavor. This will allow the wine to remain undisturbed, thereby preventing "wine fatigue."



**Capacity for 8 bottles**  
Perfect for wine enthusiasts with limited space at home or in the office.



**Inox desing**  
A modern Inox desing combined with exceptional durability, suitable for any decorative style.



**White LED illumination**  
Showcase your wine collection while conserving energy.



**Digital temperature regulation**  
Effortlessly modify the temperature within the range of 8°C to 18°C to accommodate various wine types.



**3 wooden shelves**  
Secure and visually appealing support for your bottles.

# spec.

<b>Type</b>	Thermoelectric
<b>Dimensions (cm)</b> <small>(W x D x H)</small>	26 × 49.50 × 47.50
<b>Materials</b>	Black   2 layers glass   304 Stainless Steel cabinet
<b>Capacity</b>	0.88 cu.ft - 25L   8 bottles
<b>Shelves</b>	3- varnished wood
<b>Temperature</b>	8°C to 18°C
<b>Door access</b>	Left-opening handle
<b>Control</b>	Digital Touch
<b>Weight</b>	9.8 kg -11.3 kg
<b>Power</b>	70 W
<b>Voltage</b>	115V / 60Hz
<b>Installation</b>	Floor - Stand alone

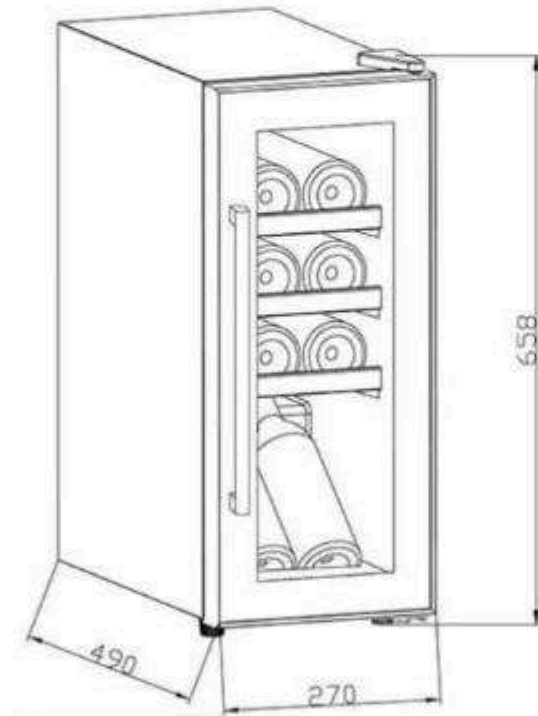
### PODs

- 1 Cooling System.
- White interior illumination.

\*\*\*Some images are for illustrative purposes only.

### TEMPRANILLO 8

**1 YEAR**  
warranty



### POD



#### Precision cooling with compressor

Preserve your wines with optimal efficiency, courtesy of compressor that conserves up to 25% energy.



#### Capacity for 8 bottles

An ideal space for small collections, featuring an intelligent design that safeguards and organizes your favorite wines.



#### Inox desing

A modern Inox desing combined with exceptional durability, suitable for any decorative style.



#### Capacity for 8 bottles

Ideal space for small collections, with a smart design that protects and organizes your favorite wines.



#### Reversible door

Complete flexibility to open the wine cellar to the left or right, accommodating in any location.



#### Blue LED lights

Illuminate and exhibit your bottles with an appealing blue LED light that simultaneously safeguards the wine from heat exposure.

### spec.

<b>Type</b>	Compressor
<b>Dimensions (cm)</b> <small>(W x D x H)</small>	27 x 49 x 65.8
<b>Materials</b>	Black   2 layers glass   304 Stainless Steel cabinet
<b>Capacity</b>	0.99 cu. ft - 28 L   8 bottles
<b>Shelves</b>	3- varnished wood
<b>Temperature</b>	5°C to 20°C
<b>Door access</b>	Left-opening handle
<b>Control</b>	Digital Touch
<b>Weight</b>	18.7 kg - 21.0 kg
<b>Power</b>	65 W
<b>Voltage</b>	110V / 60Hz
<b>Installation</b>	Floor - Stand alone

### PODs

- 1 cooling system.
- Internal blue LED light.
- Reversible door
- Ten-year warranty on the compressor.

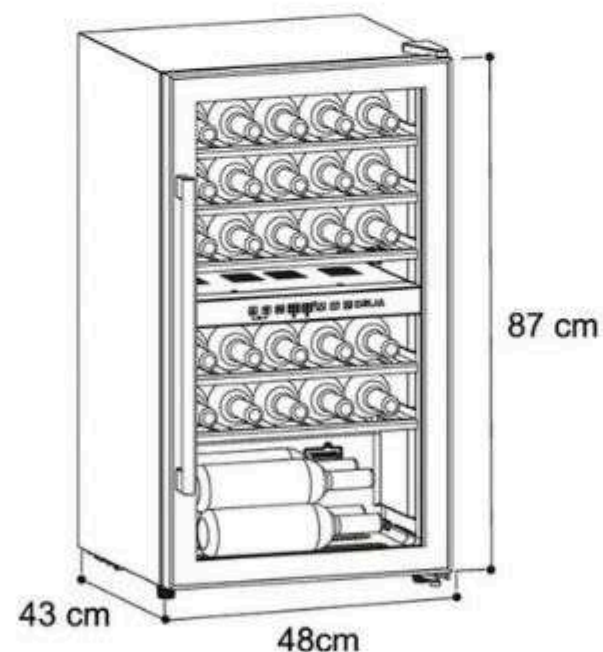


\*\*\*Some images are for illustrative purposes only.

### MERLOT 29

**1 YEAR**  
warranty

**DR**



### POD



#### Precision cooling with compressor

Preserve your wines with optimal efficiency, courtesy of the inverter compressor that conserves up to 25% of energy.



#### Big capacity for 29 bottles

An ideal space for discerning collectors, featuring a volume of 80 liters to accommodate a diverse selection.



#### Dual Cooling System

Independently regulate two Cooling Systems for red and white wines (temperature range of 5°C to 22°C).



#### Double-Glass door insulation

They improve thermal insulation by reflecting energy instead of allowing it to pass through, reducing heat loss and maintaining a more stable and efficient interior.



#### Reversible door

Complete flexibility to open the wine cellar to the left or right, accommodating in any location.



#### Blue LED lights

Illuminate and exhibit your bottles with an appealing blue LED light that simultaneously safeguards the wine from heat exposure.

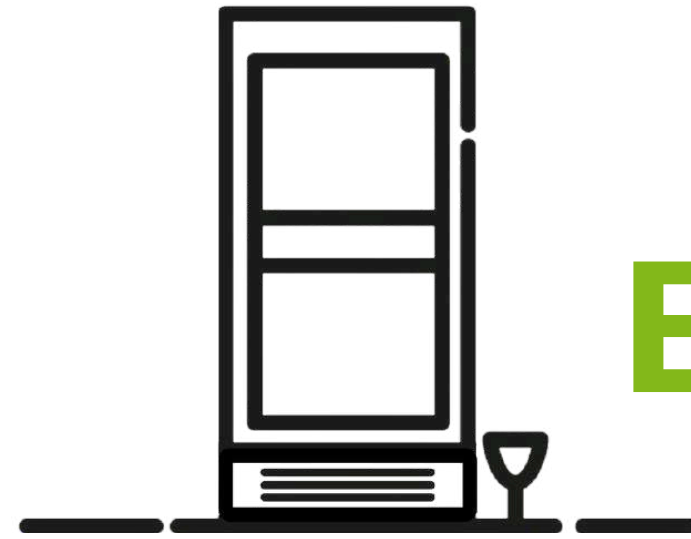
### spec.

<b>Type</b>	Inverter compressor
<b>Dimensions (cm)</b> (W x D x H)	48 x 43 x 87
<b>Materials</b>	Black   2 layers glass   304 Stainless Steel cabinet
<b>Capacity</b>	2.83 cu. ft - 80 L   29 bottles
<b>Shelves</b>	5- varnished wood
<b>Temperature</b>	5°C to 20°C
<b>Door access</b>	Left-opening handle
<b>Control</b>	Digital Touch
<b>Weight</b>	29.7 kg / 32.0 kg
<b>Power</b>	50 W
<b>Voltage</b>	110V / 60Hz
<b>Installation</b>	Floor - Stand alone

### PODs

- 2 Cooling Systems.
- Internal blue LED light..
- Reversible door.
- Ten-year warranty on the compressor.





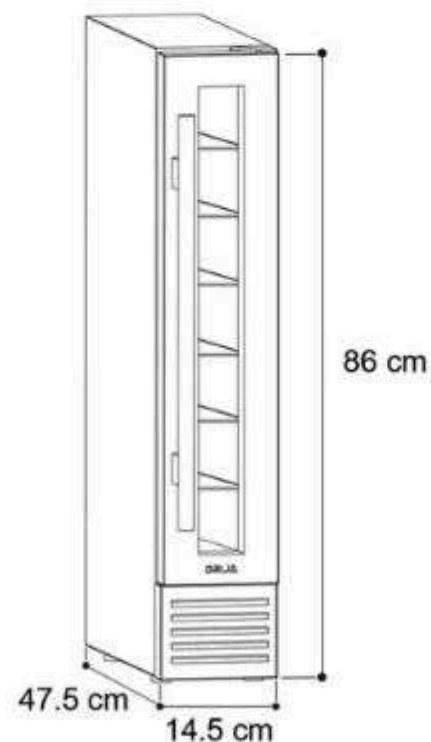
## BUILT-IN

- MALBEC 7
- BERE 20
- SYRAH 20
- CHIARETTO 31
- CIRO 46
- DOLCE 110
- CHIANTI 154
- LAMBRUSCO 160

### MALBEC 7

**1 YEAR**  
warranty

**DR**



### POD



#### Optimal capacity for 7 bottles

Arrange your collection in a sophisticated and functional manner.



#### Sleek, flush-mounted configuration

Ideal for incorporation into compact areas, enhancing the functionality of your kitchen or bar.



#### Precision cooling with compressor

Preserve your wines with optimal efficiency, courtesy of the inverter compressor that conserves up to 25% of energy.



#### Double-Glass door insulation

They improve thermal insulation by reflecting energy instead of allowing it to pass through, reducing heat loss and maintaining a more stable and efficient interior.



#### Reversible door

Complete flexibility to open the wine cellar to the left or right, accommodating in any location.



#### Blue LED lights

Illuminate and exhibit your bottles with an appealing blue LED light that simultaneously safeguards the wine from heat exposure.

### spec.

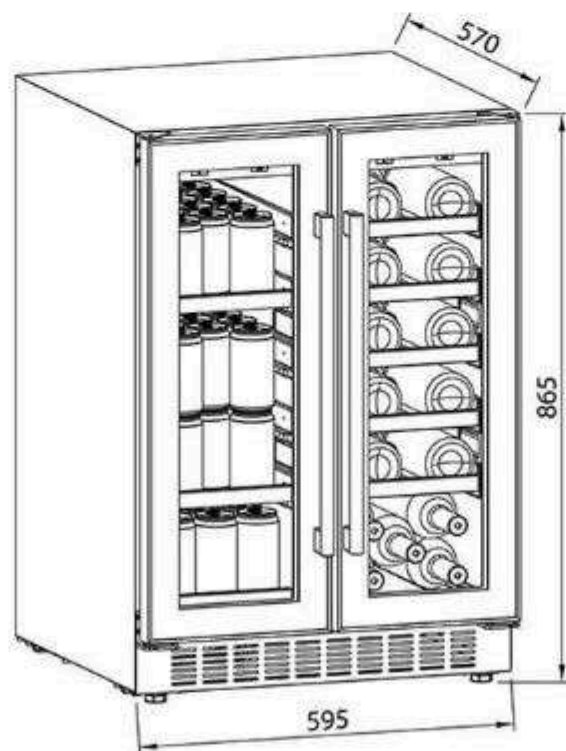
<b>Type</b>	Compressor
<b>Dimensions (cm)</b> <small>(W x D x H)</small>	15 x 52.5 x 87
<b>Materials</b>	Black   2 layers glass   304 Stainless Steel cabinet
<b>Capacity</b>	0.71 cu.ft - 20L   7 bottles
<b>Shelves</b>	7- without shelf
<b>Temperature</b>	5°C to 20°C
<b>Door access</b>	Left-opening handle
<b>Control</b>	Digital Touch
<b>Weight</b>	19.1 kg - 21.2 kg
<b>Power</b>	65 W
<b>Voltage</b>	110V / 60Hz
<b>Installation</b>	Built-in   freestanding

### PODs

- 1 Cooling System.
- Internal blue LED light..
- Ten-year warranty on the compressor.
- Includes front and rear grilles for enhanced ventilation.

### BERE 20

### 1 YEAR warranty



# POD



### Built-in desing

Featuring a Inox frame, this piece is perfect for incorporation into modern kitchens or professional cooking spaces.



### Dual cooling zones

Maintain wines and beverages at their ideal temperatures with its dual Cooling Systems (0-10 °C and 5-20 °C).



### Large capacity

Accommodates up to 63 cans and 20 bottles, making it perfect for any event or social gathering.



### Integrated wood and wire shelving

Versatile and stylish organization for cans and bottles, ensuring both safety and aesthetic appeal.



### Double-Glass door insulation

They improve thermal insulation by reflecting energy instead of allowing it to pass through, reducing heat loss and maintaining a more stable and efficient interior.



### Blue LED illumination

Illuminate and exhibit your bottles with an appealing blue LED light that simultaneously safeguards the wine from heat exposure.

# spec.

Type	Inverter compressor
Dimensions (cm) <small>(W x D x H)</small>	59.5 x 57 x 86.5
Materials	Black   2 layers glass   304 Stainless Steel cabinet
Capacity	4.24 cu. ft - 120 L   20 bottles - 63 cans
Shelves	left: 3 wires - right: 5 pieces of wood
Temperature	Left: 0-10°C / Right: 5-20°C
Door access	2 opening handles
Control	Digital Touch
Weight	44.4 kg - 48.2 kg
Power	60 W
Voltage	110V / 60Hz
Installation	Built-in   freestanding

## PODs

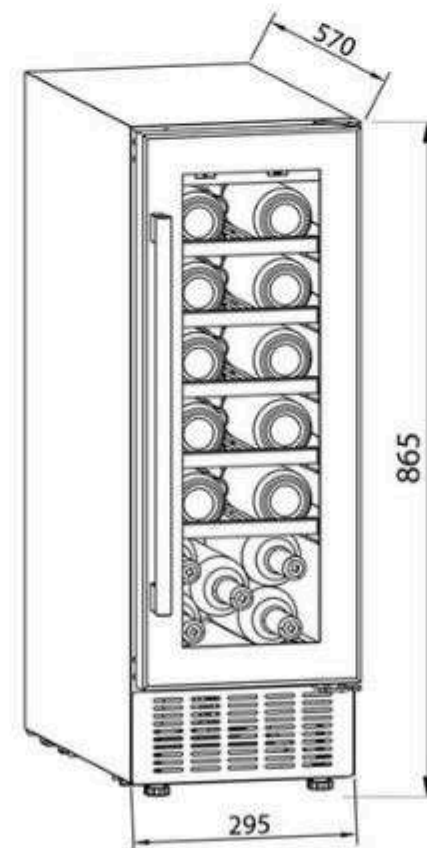
- 2 Cooling Systems.
- Internal blue LED light.
- Ten-year warranty on the compressor.
- Includes front and rear grilles for enhanced ventilation.

\*\*\*Some images are for illustrative purposes only.

### SYRAH 20

**1 YEAR**  
warranty

**DR**



### POD



#### Compact and efficient

56 liters (1.98 cubic feet) volume in an integrated design.



#### Capacity for twenty bottles

Perfect for safeguarding your personal wine collection.



#### Digital temperature regulation

A temperature range of 5°C to 20°C for various wine types, integrated with dependable technology to ensure a consistent temperature.



#### Reversible door

Complete flexibility to open the wine cellar to the left or right, accommodating in any location.



#### Double-Glass door insulation

They improve thermal insulation by reflecting energy instead of allowing it to pass through, reducing heat loss and maintaining a more stable and efficient interior.



#### Blue LED illumination

Illuminate and exhibit your bottles with an appealing blue LED light that simultaneously safeguards the wine from heat exposure.

### spec.

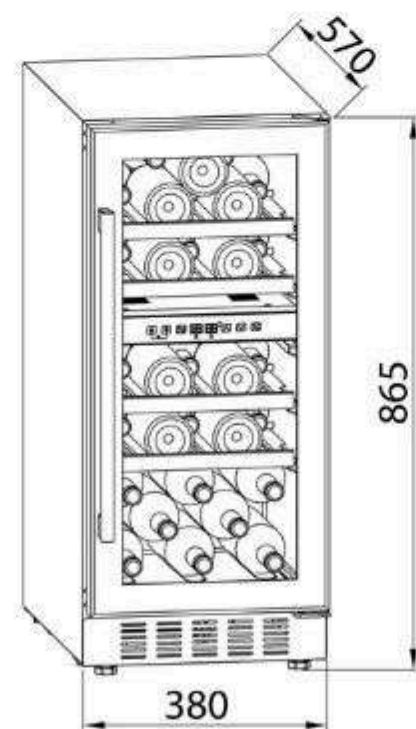
Type	Compressor
Dimensions (cm) <small>(W x D x H)</small>	29.5 × 57 × 86.5
Materials	Black   2 layers glass   304 Stainless Steel cabinet
Capacity	1.98 m <sup>3</sup> - 56 L   20 bottles
Shelves	5- varnished wood
Temperature	5°C to 20°C
Door access	2 opening handles
Control	Digital Touch
Weight	26.7 kg - 32.9 kg
Power	65 W
Voltage	110V / 60Hz
Installation	Built-in   freestanding

### PODs

- 1 Cooling System.
- Internal blue LED light.
- Ten-year warranty on the compressor.
- Includes front and rear grilles for enhanced ventilation.

### CHIARETTO 31

**1 YEAR**  
warranty



### POD



#### Compact and efficient

82-liter capacity (2.9 cu. ft.) in a built-in design.



#### Capacity for 20 bottles

Perfect for safeguarding your personal wine collection.



#### Digital temperature regulation

A temperature range of 5°C to 22°C for various wine types, integrated with dependable technology to ensure a consistent temperature.



#### Reversible door

Complete flexibility to open the wine cellar to the left or right, accommodating in any location.



#### Double-Glass door insulation

They improve thermal insulation by reflecting energy instead of allowing it to pass through, reducing heat loss and maintaining a more stable and efficient interior.



#### Blue LED illumination

Illuminate and exhibit your bottles with an appealing blue LED light that simultaneously safeguards the wine from heat exposure.

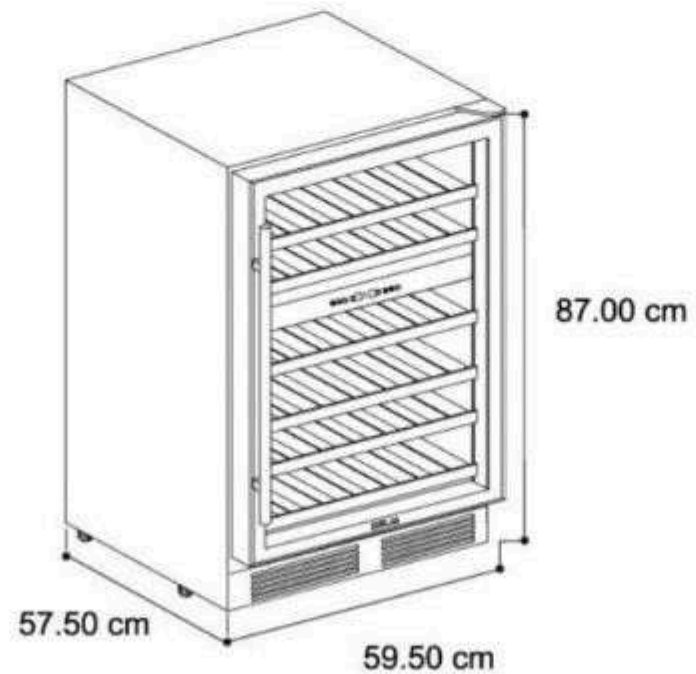
### spec.

Type	Compressor
Dimensions (cm) <small>(W x D x H)</small>	38 × 57 × 86.5
Materials	Black   2 layers glass   304 Stainless Steel cabinet
Capacity	2.9 m <sup>3</sup> - 82 L   31 bottles
Shelves	4- varnished wood
Temperature	5°C to 22°C
Door access	2 opening handles
Control	Digital Touch
Weight	31.1 kg - 33.3 kg
Power	80 W
Voltage	110V / 60Hz
Installation	Built-in   freestanding

### PODs

- 2 Cooling Systems.
- Internal blue LED light.
- Ten-year warranty on the compressor.
- Includes front and rear grilles for enhanced ventilation.

### CIRO 46



### POD



#### Concise and effective

Inox frame and handle ensure a flawless and sophisticated integration into any kitchen.



#### Capacity for 46 bottles.

Accommodates up to 46 bottles within a width of just 59.5 cm, making it ideal for integration into contemporary kitchens.



#### Dual Cooling System

Independently regulate two Cooling Systems for red and white wines (temperature range of 5°C to 22°C).



#### Reversible door

Complete flexibility to open the wine cellar to the left or right, accommodating in any location.



#### Double-Glass door insulation

They improve thermal insulation by reflecting energy instead of allowing it to pass through, reducing heat loss and maintaining a more stable and efficient interior.



#### Blue LED illumination

Illuminate and exhibit your bottles with an appealing blue LED light that simultaneously safeguards the wine from heat exposure.

### spec.

Type	Inverter compressor
Dimensions (cm) (W x D x H)	59.5 × 57.50 × 86.5
Materials	Black   2 layers glass   304 Stainless Steel cabinet
Capacity	4.84 cu. ft - 137 L   46 Bottles
Shelves	5- varnished wood
Temperature	5-22 °C / 5-22 °C
Door access	1 opening handle
Control	Digital Touch
Weight	47.0 kg / 52.5 kg
Power	80 W
Voltage	110V / 60Hz   119 kWh/year
Installation	Built in   freestanding

### PODs

- 2 Cooling Systems.
- Internal blue LED light..
- Ten-year warranty on the compressor.
- Includes front and rear grilles for enhanced ventilation.

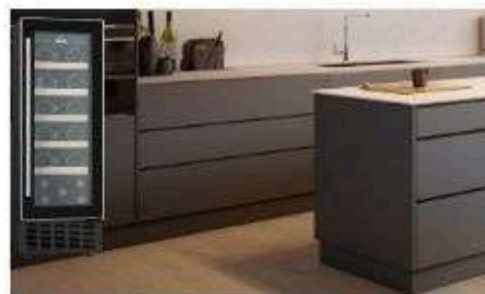


### DOLCE 110

**1 YEAR**  
warranty

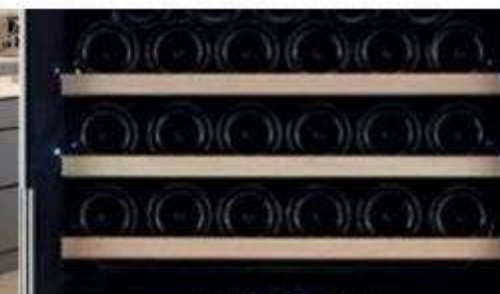


### POD



#### Versatile and stylish design

Built-in or freestanding, its black finish with stainless steel frame and handle makes it perfect for any kitchen or wine room, adding a touch of elegance to any space.



#### Ample storage capacity for 110

Its 309L capacity accommodates up to 110 bottles, making it ideal for collectors and wine enthusiasts.



#### Dual Cooling System

Independently adjust two cooling areas for red and white wines (range 5°C to 13°C - 13 to 18°C).



#### Reversible door

Complete flexibility to open the wine cellar to the left or right, accommodating in any location.



#### Double-Glass door insulation

They improve thermal insulation by reflecting energy instead of allowing it to pass through, reducing heat loss and maintaining a more stable and efficient interior.



#### White LED illumination

Manage the cellar with precision through the digital panel and accentuate your collection with interior white lighting.

### spec.

**Type** Compressor  
**Dimensions (cm)** (W x D x H) 59.8 x 69 x 127  
**Materials** Black | 2 layers glass | 304 Stainless Steel cabinet  
**Capacity** 10.97 cu. ft - 309 L | 110 Bottles  
**Shelves** 9- varnished wood  
**Temperature** 5-13 °C / 13-18 °C  
**Door access** 1 opening handle  
**Control** Digital Touch  
**Weight** 78 kg / 86 kg  
**Power** 140 W  
**Voltage** 115V / 60Hz | 119 kWh/year  
**Installation** Built in | freestanding

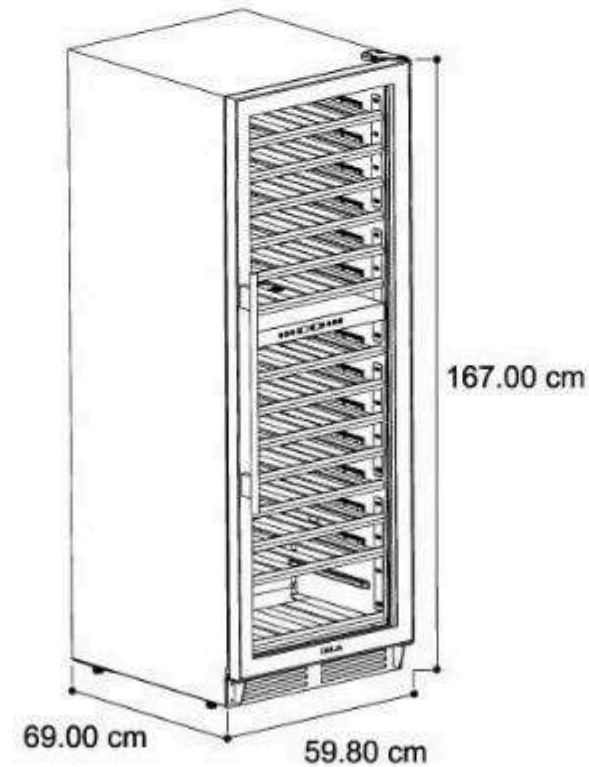
**PODs**

- 2 Cooling Systems.
- White interior illumination.
- Ten-year warranty on the compressor.
- Includes front and rear grilles for enhanced ventilation.



### CHIANTI 154

**1 YEAR**  
warranty



### POD



#### Versatile and stylish design

Built-in or freestanding, its black finish with stainless steel frame and handle makes it perfect for any kitchen or wine room, adding a touch of elegance to any space.



#### Ample capacity for genuine collectors

Store as many as 154 bottles of wine in a stylishly crafted and expertly designed wine cellar.



#### Dual Cooling System

Independently adjust two cooling areas for red and white wines (range 5°C to 13°C - 13 to 18°C).



#### Reversible door

Complete flexibility to open the wine cellar to the left or right, accommodating in any location.



#### Triple -Glass door insulation

They improve thermal insulation by reflecting energy instead of allowing it to pass through, reducing heat loss and maintaining a more stable and efficient interior.



#### White LED illumination and touch interface

Manage the cellar with precision through the digital panel and accentuate your collection with interior white lighting.

### spec.

**Type**  
**Dimensions (cm)**  
(W x D x H)  
**Materials**  
**Capacity**  
**Shelves**  
**Temperature**  
**Door access**  
**Control**  
**Weight**  
**Power**  
**Voltage**  
**Installation**

Compressor  
 59.8 x 69 x 167  
 Black | 2 layers glass |  
 304 Stainless Steel cabinet  
 13.88 cu. ft – 393 L | 54 bottles  
 14- varnished wood  
 5-13 °C / 13-18°C  
 1 opening handle  
 Digital Touch  
 100 kg / 110 kg  
 150 W  
 115V / 60Hz |  
 Built in | freestanding

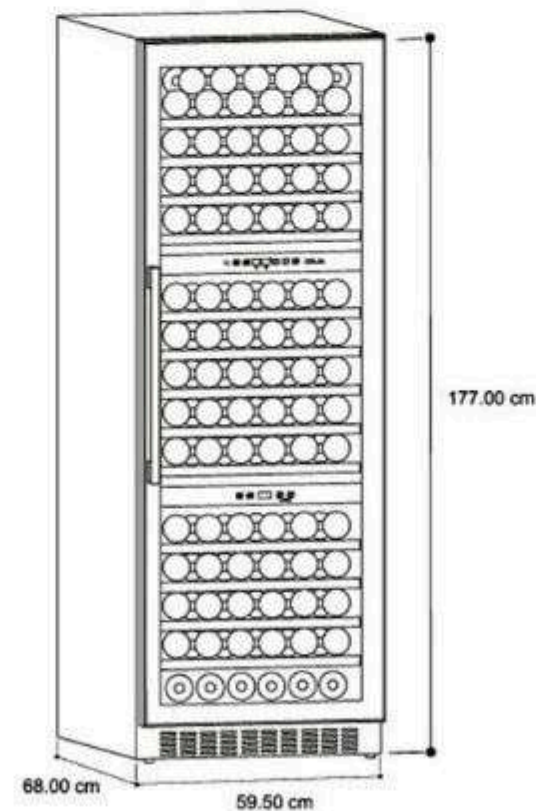
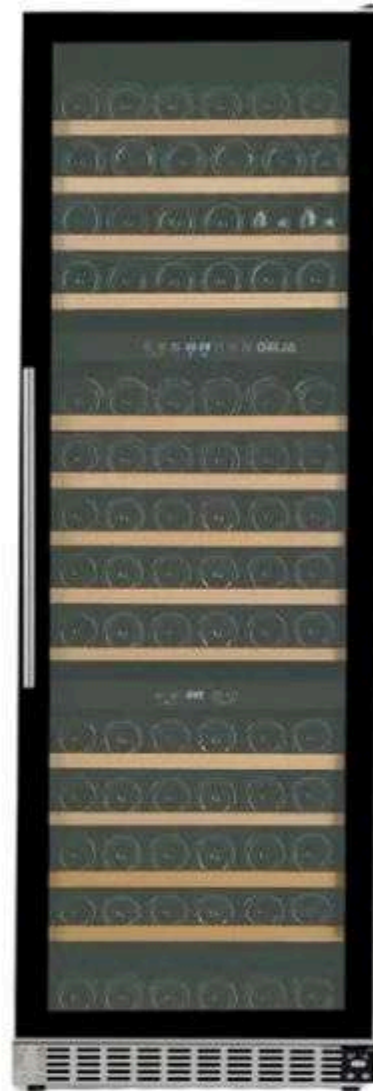
### PODs

- 2 Cooling Systems.
- White interior illumination.
- Ten-year warranty on the compressor.
- Includes front and rear grilles for enhanced ventilation.

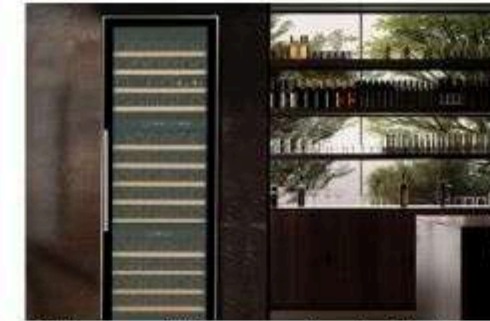


### LAMBRUSCO 160

**1 YEAR**  
warranty



### POD



#### Versatile and stylish design

Built-in or freestanding, its black finish with stainless steel frame and handle makes it perfect for any kitchen or wine room, adding a touch of elegance to any space.



#### Large capacity for genuine collectors

Store up to 160 bottles on 13 polished wooden shelves featuring smooth and secure sliding mechanisms.



#### Triple Cooling System

Store red, white, and sparkling wines at their optimal temperature using three independent, digitally controlled zones.



#### Reversible door

Complete flexibility to open the wine cellar to the left or right, accommodating in any location.



#### Double-Glass door insulation

They improve thermal insulation by reflecting energy instead of allowing it to pass through, reducing heat loss and maintaining a more stable and efficient interior.



#### Blue LED illumination and touch interface

Illuminate and exhibit your bottles with an appealing blue LED light that simultaneously safeguards the wine from heat exposure.

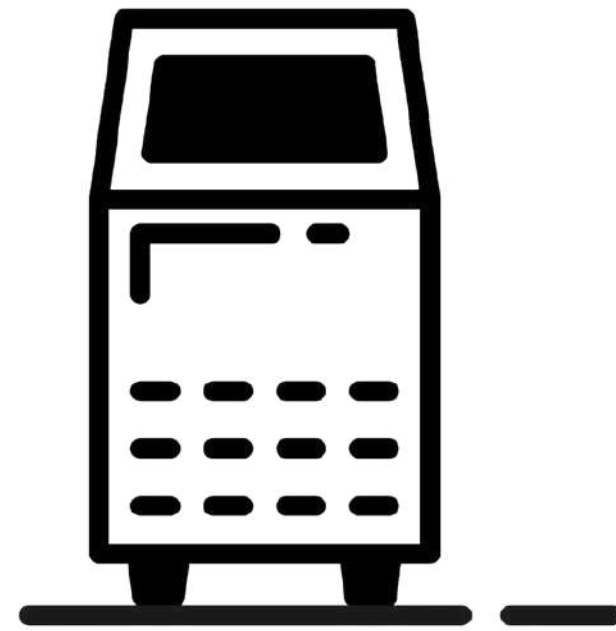
### spec.

Type	inverter compressor
Dimensions (cm) <small>(W x D x H)</small>	59.50 × 68 × 177
Materials	Black   2 layers glass   304 Stainless Steel cabinet
Capacity	14.19 cu.ft/402 L   160 botellas
Shelves	13- varnished wood
Temperature	5-12 °C / 5-12C/12-22°C
Door access	1 opening handle
Control	Digital Touch
Weight	100 / 113.8 kg
Power	130 W
Voltage	115V / 60Hz   298 kWh/year
Installation	Built-in   freestanding

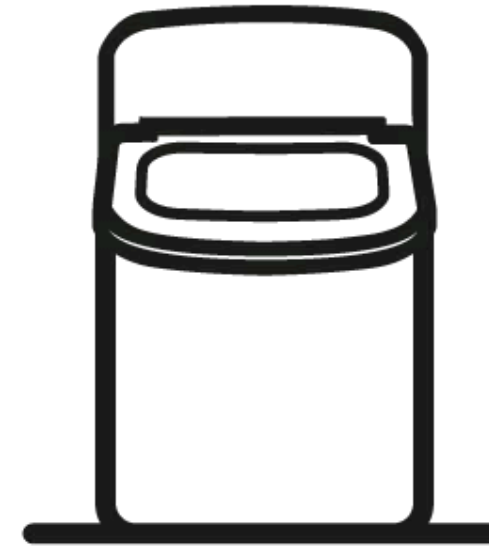
### PODs

- 2 Cooling Systems.
- Internal blue LED light..
- Ten-year warranty on the compressor.
- Includes front and rear grilles for enhanced ventilation.

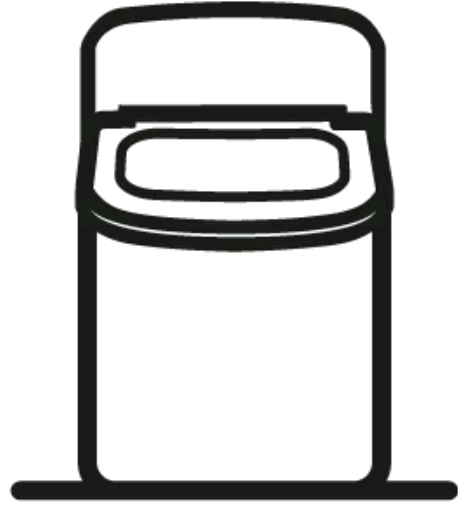
# ICE MAKERS



**BUILT-IN**



**PORTABLE**



## PORTABLE

- FH12-INOX
- FH12-BLACK
- FH18-INOX

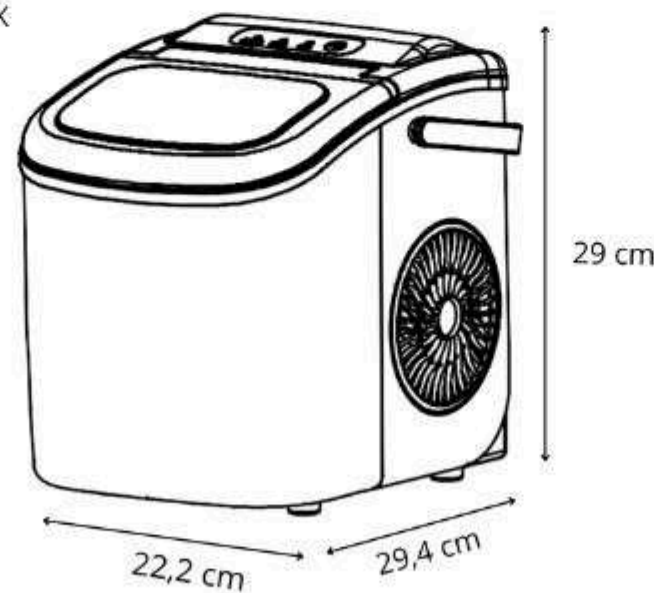
### FH12 - INOX | BLACK



FH12 -BLACK



FH12-INOX

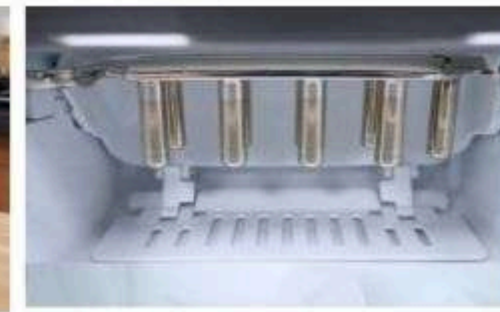


## POD



### Compact and portable design

Perfect to take anywhere thanks to its small size and lightweight build.



### Ice in minutes

Produces as many as 9 cubes per cycle in merely 7 to 12 minutes, ensuring you never run out of ice during your gatherings.



### Large capacity

Production capacity of up to 12 kilograms of ice within a 24-hour period to meet all your requirements.



### Self-cleaning system

Keep your unit always ready to use with the convenient built-in automatic cleaning function.



### Quiet operation with LED indicators

Enjoy a peaceful environment with ultra-quiet ice production (under 35 dB). LED indicators notify you when the water tank is low or the ice bin is full.



### Ice shovel

Includes a practical scoop for hygienic and effortless ice serving—perfect for transferring cubes directly to glasses or ice buckets without hand contact.

## spec.

### Dimensions (cm)

(W x D x H)

### Material

### Capacity L |kg

### Cycle time - Qty

### Ice shape

### Water supply

### Control

### Weight

### Temperature

### Voltage

22.2 × 29.4 × 29

Black plastic - Stainless steel| foam insulation

1.2L | 0.6 KG

7- 12 min | 9 cubes | 12kg/24hrs

Bullet

Manual

Touch panel

6.4 kg

10-43°C

115V/ 60Hz

### PODs

- Ice shovel.
- Infrared sensor.
- Drainage system.
- Copper evaporator with nickel-plated coating.

### FH18 INOX

**1 YEAR**  
warranty

**DR**



### POD



#### Compact and portable design

Take it anywhere thanks to its space-saving size and generous capacity—ideal for kitchens, RVs, patios, or offices.



#### Fast and efficient cycle

Generates 9 ice cubes in just 5 to 11 minutes so you're always stocked and ready.



#### High capacity for every occasion

Produces up to 18 kg (40 lbs) of ice in 24 hours—perfect for gatherings, everyday use, or weekend getaways.



#### 2 ice cube sizes

Choose between small or large ice cubes to suit your drink and cooling preference. The cylindrical shape ensures even cooling and easy removal.



#### Quiet operation with LED indicators

Enjoy a peaceful environment with an ultra-quiet ice maker operating below 40 dB. LED indicators alert you when the water tank is low or the ice bin is full.



#### Self-cleaning system

Keep your machine ready at all times with the convenient built-in automatic cleaning function.

### spec.

**Dimensions (cm)**  
(W x D x H)

24.2 × 35.8 × 32.8

**Material**  
**Capacity L |kg**

Stainless steel| foam insulation  
2.2 L | 0.8 KG-

**Cycle time - Qty**

5- 11 min | 9 cubes | 18kg /24hrs  
Bullet 2 size : (2.2×2.5 cm) y  
(2.5×3.0 cm)

**Ice shape**

**Water supply**

Manual

**Control**

Button panel

**Weight**

7.8 kg

**Temperature**

10-43°C

**Voltage**

110V/ 60Hz

### PODs

- Infrared sensor
- Ice shovel
- Drainage system
- Copper evaporator with nickel-plated coating.



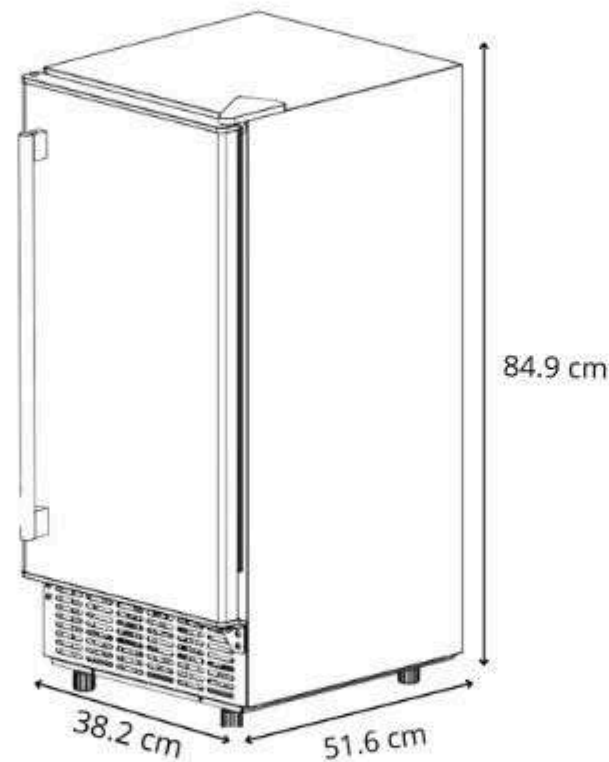


# BUILT-IN

- FH36-BLACK
- FH45-BLACK

### FH36- BLACK

**1 YEAR** warranty **DR**



#### Installation

- Gravity drainage installation**

If there is no floor drain and the ice maker needs to connect to a sink trap or raised drainpipe, install the unit at a height of 14 inches (35.5 cm) above the floor. This ensures proper water flow using gravity.

- Floor drain installation**

If the installation site has a floor-level drain, the ice maker can be installed directly on the floor, since its drain outlet sits 10 cm above the base. No additional elevation is needed.



## POD



#### Built-in, modern design

The integrated design features front ventilation, allowing it to harmoniously complement kitchens or bars. The appliance exudes a sense of luxury.



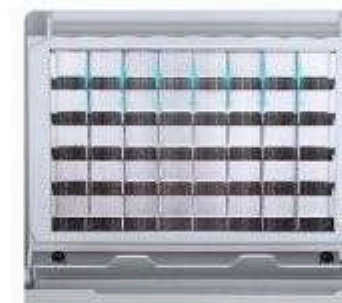
#### Continuous Production

This machine produces up to 36 kg of ice in 24 hours, making it ideal for large homes, bars, or small businesses.



#### Square, crystalline ice

Robust, square-shaped ice cubes that melt gradually and elevate the visual appeal of your beverages.



#### Intelligent self-cleaning

Maintains a pristine interior and prolongs the lifespan of the equipment with a simple button press.



#### Automated and intuitive functionality

Features an automatic on/off timer for hassle-free operation.



#### 90° door opening and internal lighting

The door opens 90°, providing easy access to the interior—perfect even for tight spaces.

## spec.

#### Dimensions (cm)

(W x D x H)

#### Material

#### Capacity L |kg

#### Cycle time - Qty

#### Ice shape

#### Water supply

#### Control

#### Weight

#### Temperature

#### Voltage

38 × 51.6 × 85

Stainless Steel

36 kg

15-30 minutes | 40 cubes |  
36 kg/24 hours

Cubic squares

Direct connection to the pipeline

Button panel

23.7 kg

10-43°C

115V/ 60Hz

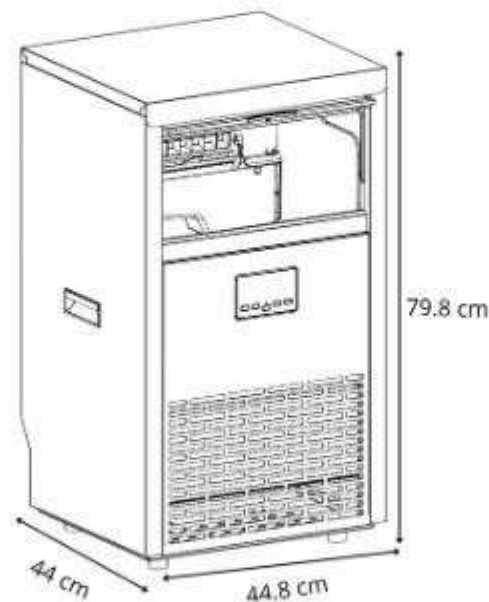
#### PODs

- Ice shovel
- Water hose installation kit
- 2-meter drain pipe
- On/off timer with alarm notification

### FH45- BLACK

**1 YEAR**  
warranty

**DR**



#### Installation

- Gravity drainage installation**

If there is no floor drain and the ice maker needs to connect to a sink trap or raised drainpipe, install the unit at a height of 14 inches (35.5 cm) above the floor. This ensures proper water flow using gravity.

- Floor drain installation**

If the installation site has a floor-level drain, the ice maker can be installed directly on the floor, since its drain outlet sits 10 cm above the base. No additional elevation is needed.

**Gas R290**

## POD

## spec.



#### Designed for commercial use

Its sturdy build and sliding door make it perfect for restaurants, bars, and hotels that need a reliable supply of ice with an efficient, durable design.



#### Continuous Production

With a daily production of 45 kg and 13 kg storage capacity, it's the perfect partner for high-demand operations in restaurants, bars, hotels, and events.



#### Efficient cooling for crystal-clear ice

Advanced cooling system keeps cubes solid and at the ideal temperature, preserving freshness and enhancing beverage presentation.



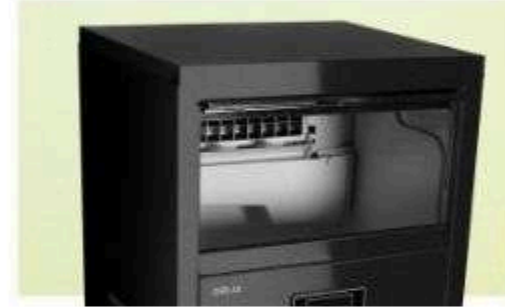
#### Automatic and intuitive operation

Includes an on/off timer with alarm for worry-free, automated performance.



#### Smart self-cleaning

Keep the interior free of impurities and extend the unit's lifespan—just press a button and the system cleans itself in only 20 minutes.



#### Sliding door for easy access

Convenient sliding door allows for safe and effortless access to the ice.

#### Dimensions (cm)

(W x D x H)

#### Material

#### Capacity L |kg

#### Cycle time - Qty

#### Ice shape

#### Water supply

#### Control

#### Weight

#### Temperature

#### Voltage

79.8 × 44.8 × 40

Stainless Steel

45 kg -500 g

13-20 min | 45 cubes| 45 kg/24 hrs

Cubic squares

Direct connection to the pipeline

Button panel

28.3

10-43°C

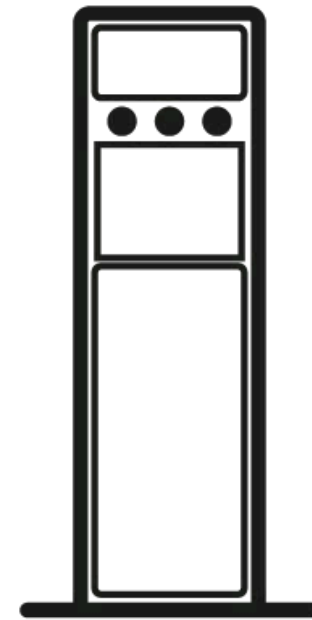
115V/ 60Hz

#### PODs

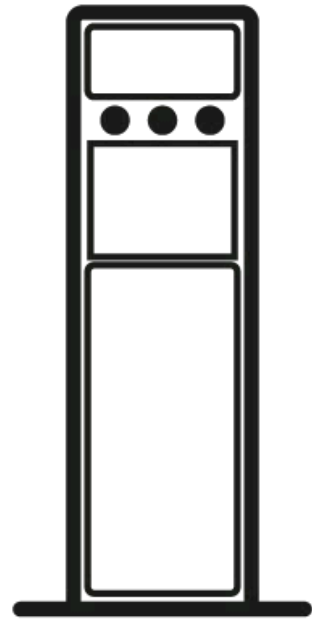
- Ice shovel.
- Water hose installation kit
- Drainage system
- On/off timer with alarm notification



# WATER DISPENSERS



**WATER DISPENSER**

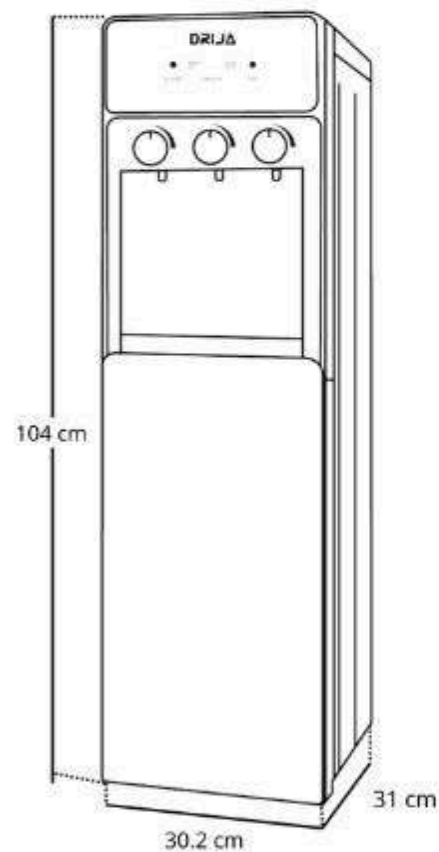


# WATER DISPENSERS

- ACQUA
- LUSO

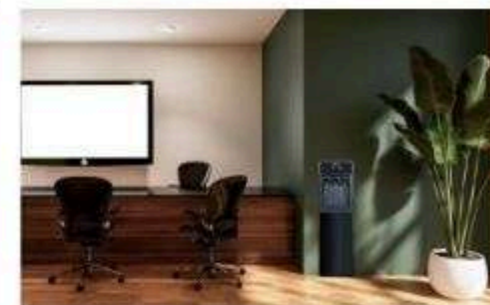
## ACQUA

### 1 YEAR warranty



Refrigerant Gas  
R134a

## POD



### Modern design

Tempered black glass finish and metal body with baked-on paint—ideal for any kitchen or office.



### Effortless bottom-loading system

Convenient bottom-load water system eliminates lifting, flipping, and spilling, while keeping the bottle hidden in a cabinet below.



### 3 temperature settings: cold, hot, or room temperature

Enjoy three water temperatures in one unit—perfect for any time of day.



### Simple and precise control

Easily adjust the temperature with intuitive rotary knobs and an LED display.



### Maximum home safety

Includes a child lock to prevent accidental burns when dispensing hot water.



### Designed to fit multiple bottle sizes

Compatible with 3 to 5-gallon bottles for greater flexibility.

## spec.

### Dimensions (cm)

(W x D x H)

104 × 31 × 30.2

### Material

Painted metal – black glass

### Cold water capacity

5 L/h | 5-10°C

### Hot water capacity

2 L/h | 85- 95° C

### Water tank

20L

### Water supply

Bottom-loading water dispenser

### Control

Knobs featuring an LED display

### Weight

12.0 kg / 14 kg

### Heating power

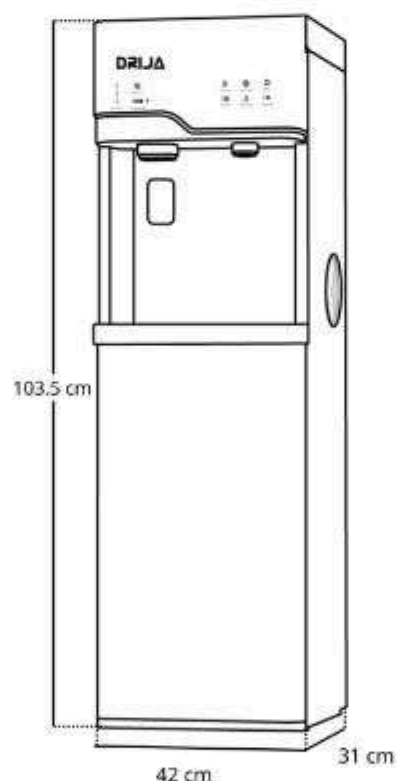
90 W (cold) | 460 W (hot)

### Voltage

115V/60Hz

LUSSO

1 YEAR warranty



WE USE R600a REFRIGERANT GAS

Highly efficient and reduces carbon footprint

POD



### 3 functions in 1

Combines the functions of dispensing cold water, hot water, and ice. These three functions can operate simultaneously to meet your various needs.



### Effortless bottom-loading system

Convenient bottom-load water system eliminates lifting, flipping, and spilling, while keeping the bottle hidden in a cabinet below.



### Integrated Ice Maker

Produces up to 10 kg of ice every 24 hours – perfect for cold drinks anytime.



### ECO MODE

The energy-saving mode automatically deactivates the heating at night or in the absence of light, and reactivates it during the day, all while maintaining water cooling and ice production.



### Matte black finish with chrome details

Sleek black finish with chrome accents, ideal for modern kitchens or offices.



### Designed to fit multiple bottle sizes

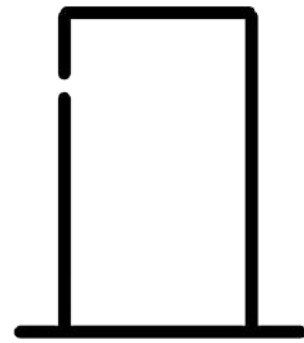
Compatible with 3 to 5-gallon bottles for greater flexibility.

spec.

<b>Dimensions (cm)</b> <small>(W x D x H)</small>	103.5 × 31 × 42
<b>Material</b>	Matte black-painted steel accents
<b>Cold water capacity</b>	4 L/h   5-10°C
<b>Hot water capacity</b>	2 L/h   85- 95° C
<b>Water tank</b>	20L
<b>Water supply</b>	Bottom-loading water dispenser.
<b>Ice supply</b>	10 kg/24 hrs   accommodates up to 4 loads of ice
<b>Control</b>	Touch panel
<b>Weight</b>	18.5 kg / 20.6 kg
<b>Heating power</b>	120 W (cold)   420 W (hot)
<b>Voltage</b>	120V / 60Hz

\*\*\*Some images are for illustrative purposes only.

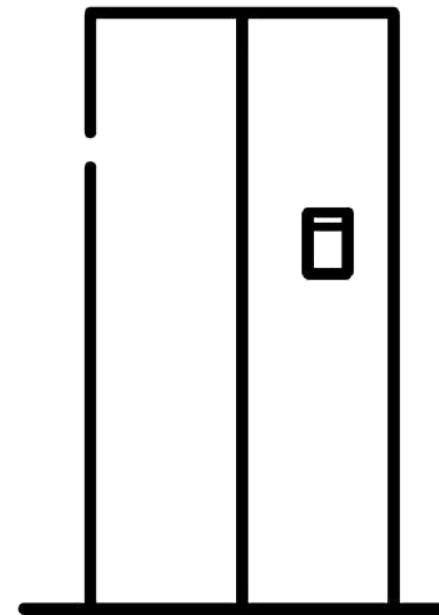
# REFRIGERATORS



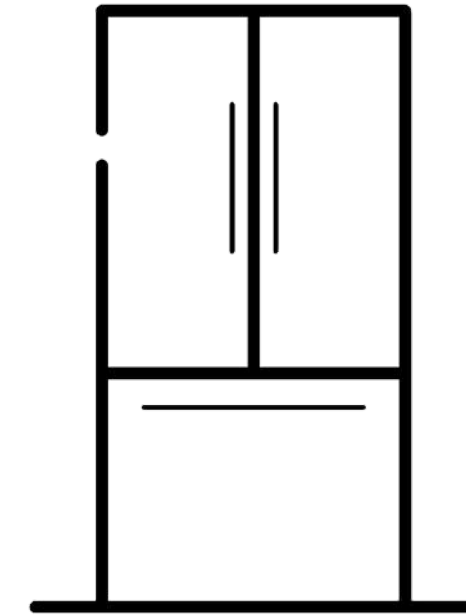
**MINI-FRIDGES**



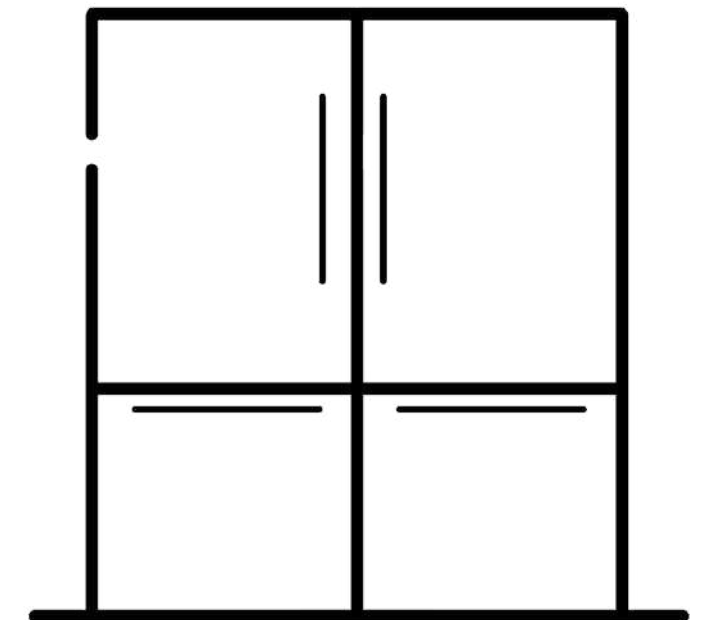
**BEVERAGE CENTER**



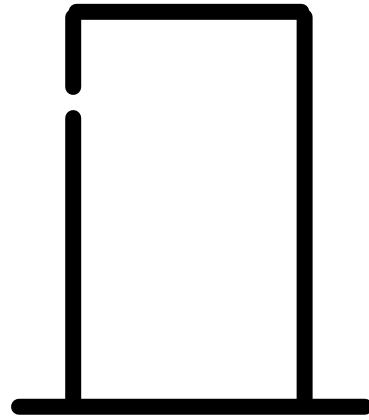
**SIDE BY SIDE**



**FRENCH DOORS**



**TWIN**

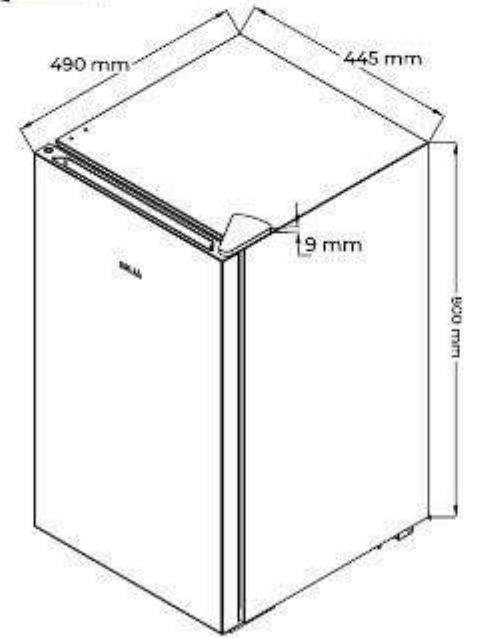


# MINI FRIDGES

- BLACK-3
- MIRROR-3

### BLACK-3

**1 YEAR** warranty **DR**



**WE USE R600a**  
REFRIGERANT GAS  
Highly efficient and reduces carbon footprint

## POD

**Black mirror  
Tempered glass**



**Reversible Doors**



**7 cooling  
levels**

## spec.

<b>Capacity</b>	3.2 Cu.ft   82.3L
<b>Material</b>	Blue mirror   tempered glass
<b>Dimensions</b> <small>(An. x Prof. x Alt.)</small>	44.5 x 49 x 80
<b>Weight</b>	20.8 kg   46 lbs
<b>Door opening</b>	No handles
<b>Voltage</b>	115V – 60 Hz

### PODs

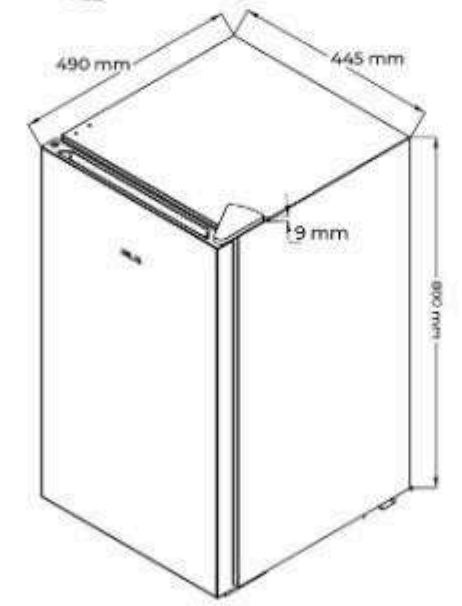
- Adjustable legs
- 2 glass shelves



\*\*\*Some images are for illustrative purposes only.

### MIRROR-3

**1 YEAR** warranty **DR**



**WE USE R600a**  
REFRIGERANT GAS  
Highly efficient and eco-friendly technology

## POD

  
**Blue mirror |  
tempered glass**

  
**Reversible Doors**

  
**7 cooling  
levels**

## spec.

<b>Capacity</b>	3.2 Cu.f   82.3L
<b>Material</b>	Blue mirror   tempered glass
<b>Dimensions</b> <small>(An. x Prof. x Alt.)</small>	44.5 x 49 x 80
<b>Weight</b>	20.8 kg   46 lbs
<b>Door opening</b>	No handles
<b>Voltage</b>	115V - 60 Hz

### PODs

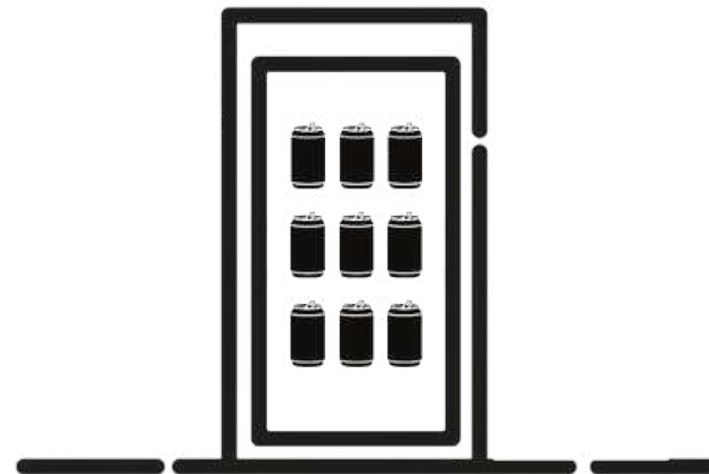
- Adjustable legs
- 2 glass shelves



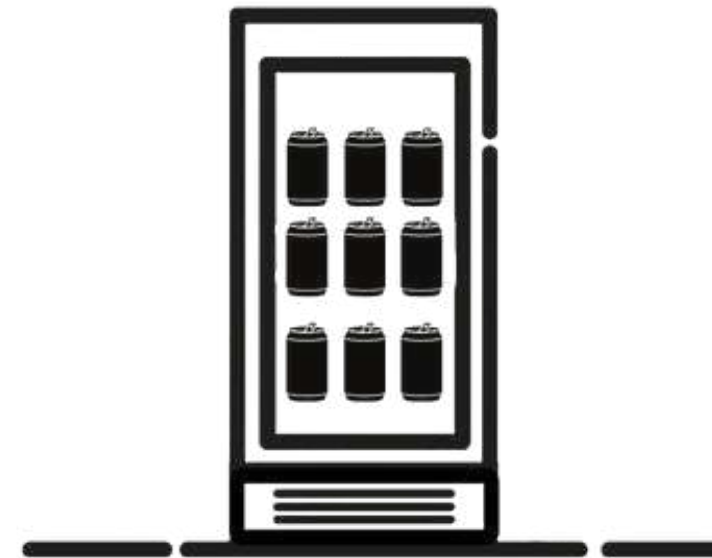
\*\*\*Some images are for illustrative purposes only.



# BEVERAGE CENTER

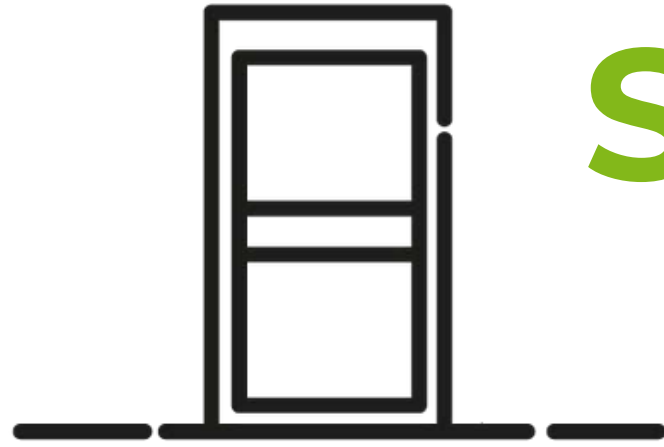


STAND ALONE



BUILT -IN



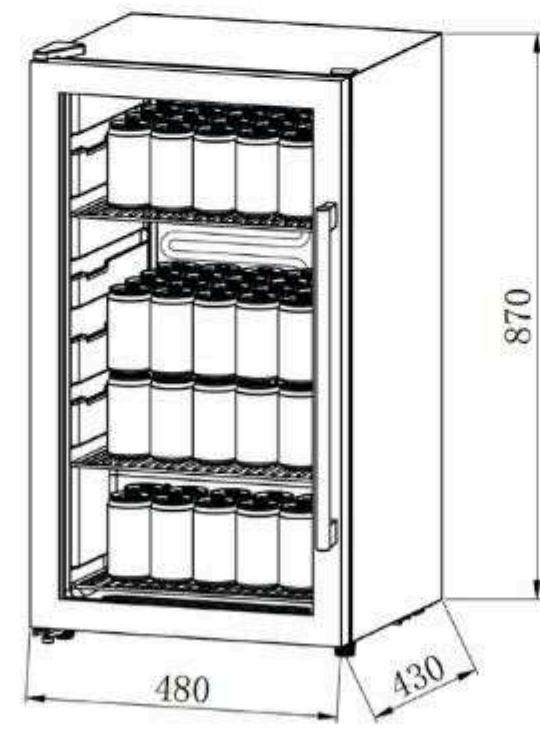


# STAND ALONE

- PIAVE 70-B

### PIAVE 70 - B

**1 YEAR**  
warranty



# POD

# spec.



**Ideal capacity for small spaces**  
With an 85-liter capacity, it can store up to 70 cans while maintaining a compact size perfect for small areas.



**Elegant and compact design**  
Sleek black exterior with a stainless steel handle and double-glass door—ideal for modern spaces.



**Digital temperature control**  
Easy-to-use digital display that allows you to set the temperature precisely between 0°C and 10°C.



**Reversible door**  
Adds versatility and style, letting you organize cans and bottles safely and neatly.



**Double glass for optimal preservation**  
Improves thermal insulation, reducing temperature loss and keeping the interior stable and efficient.



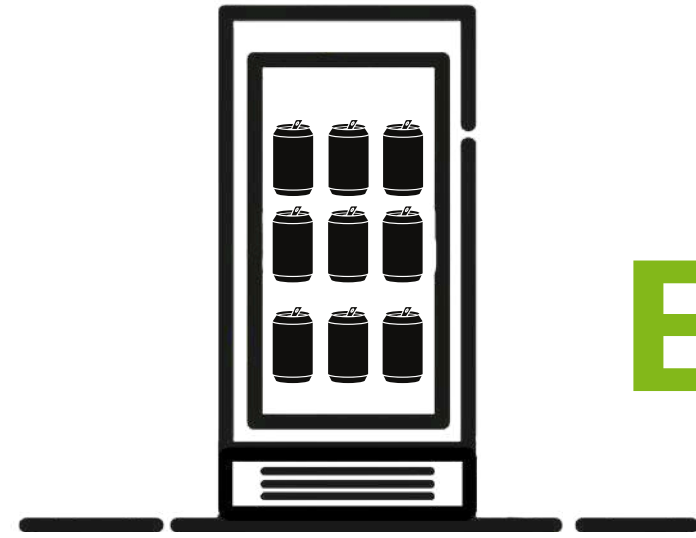
**Flexible storage with 3 shelves**  
Three removable shelves that make it easy to organize cans and bottles of different sizes.

Type	Compressor
Dimensions (cm) (W x D x H)	48x 43 x 87
Materials	Black stainless steel   double emissivity glass   metal shelves.
Capacity	3.00 cu.ft- 85L   70 cans
Shelves	3 shelves.
Temperature	0-10°C
Door access	1 manilla
Control	Panel digital (pantalla LED)
Weight	29.5 kg - 31.8 kg
Power	90 W
Voltage	110V / 60Hz
Installation	Floor - Stand alone

### PODs

- Quiet cooling system.
- Blue interior lighting
- Quick and simple installation

\*\*\*Some images are for illustrative purposes only.

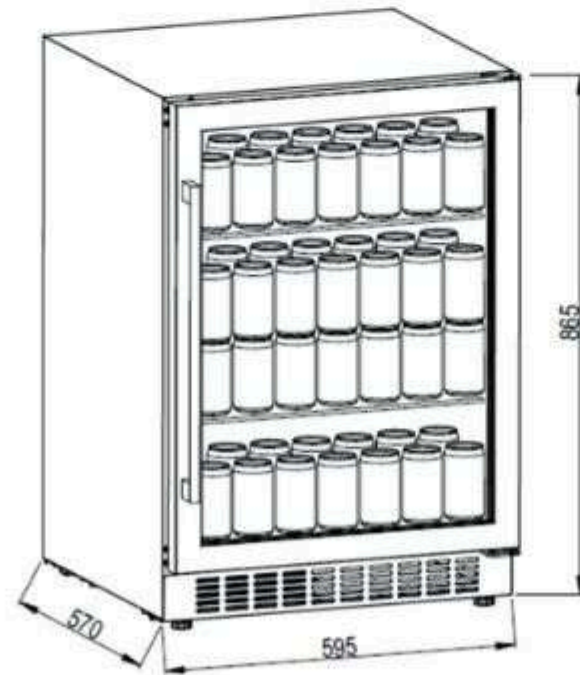


# BUILT-IN

- LIVENZA 178-B

### LIVENZA 178 - B

**1 YEAR**  
warranty



### POD



#### Ideal capacity for small spaces

143 L with room to store up to 178 cans—perfect for high-consumption areas.



#### Elegant, built-in design

Sleek black exterior with a stainless steel handle and double-glass door, ideal for modern spaces.



#### Digital temperature control

Easy-to-use digital display that allows you to set the temperature precisely between 0°C and 10°C.



#### Reversible door

Adds versatility and style, letting you organize cans and bottles safely and neatly.



#### Double glass for optimal preservation

Improves thermal insulation, reducing temperature loss and keeping the interior stable and efficient.



#### Flexible storage with 3 shelves

Three removable shelves that make it easy to organize cans and bottles of different sizes.

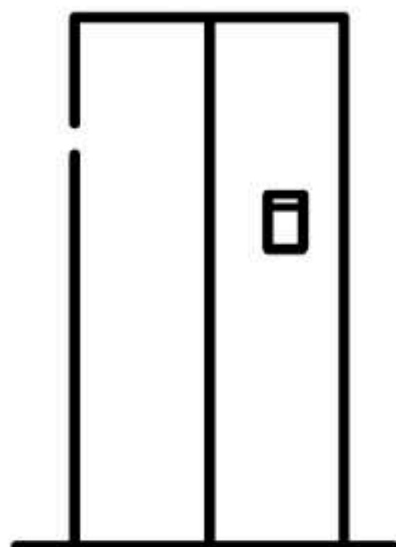
### spec.

Type	Compresor
Dimensions (cm) (W x D x H)	59.5 x 57 x 86.5
Materials	Black stainless steel   double emissivity glass   metal shelves.
Capacity	5.05 cu.ft- 143 L   178 cans
Shelves	3 shelves.
Temperature	0-10°C
Door access	1 manilla
Control	Panel digital (pantalla LED)
Weight	40.5 kg - 44.2 kg
Power	90 W
Voltage	110V / 60Hz
Installation	Built-in   freestanding

### PODs

- Quiet cooling system.
- Blue interior lighting
- Quick and simple installation





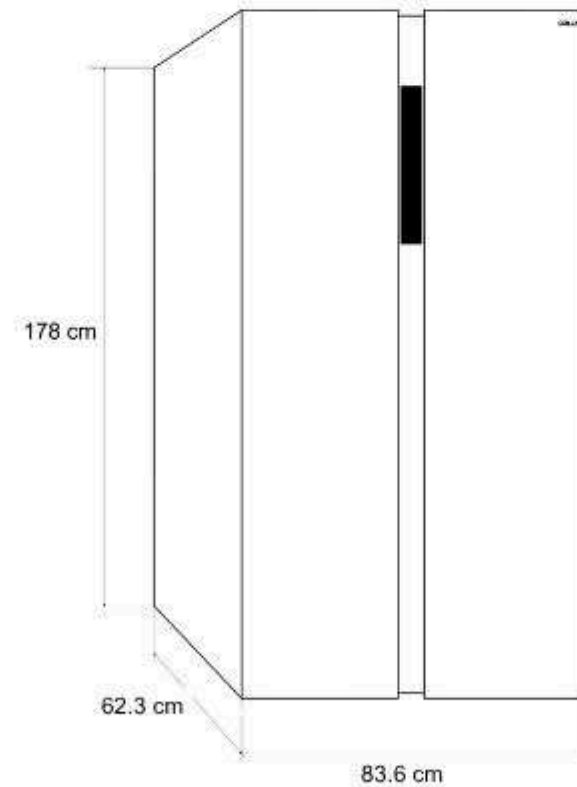
# SIDE BY SIDE

- SILVER
- INOX
- INOX-18
- INOX-23
- BLACK
- BLACK-18
- BLACK-20CFAH
- BLACK-23
- MIRROR
- MIRROR-18
- MIRROR-20CFAH
- WHITE 23

SILVER

**1 YEAR**  
warranty

DR



POD

spec.



### Tempered glass shelves

Tempered glass shelves offer high resistance to weight and impact, providing a stable, easy-to-clean, and safe surface to organize your food.



### Digital temperature control

Easily adjust the temperature with the intuitive digital panel to ensure optimal conditions for long-lasting food preservation.



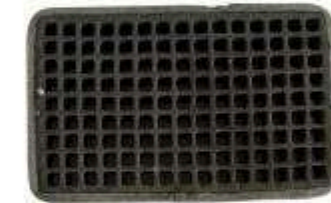
### Manual twist ice maker

Release ice cubes with a simple twist – no molds or Electric connections needed. Its compact design maximizes interior refrigerator space.



### Easy to clean

Its non-porous surface prevents stains and bacteria, keeping it spotless with just a simple wipe.



### Carbon filter

Neutralizes unpleasant odors and keeps the interior fresh and contaminant-free, preserving the natural flavor and freshness of your food.



### Open door alarm

Avoid cold air loss and unnecessary energy consumption: if the door stays open for over one minute, the alarm system alerts you to close it in time.

### Capacity

15.6 Cu.ft | 441 L

### Material

Stainless steel

### Dimensions (W x D x H)

83.6x 62.3 x 178

### Compressor

Inverter

### Cooling system

Turbo - Express

### Door opening

No handles

### Power

100 W

### Voltage

115V - 60 Hz

### PODs

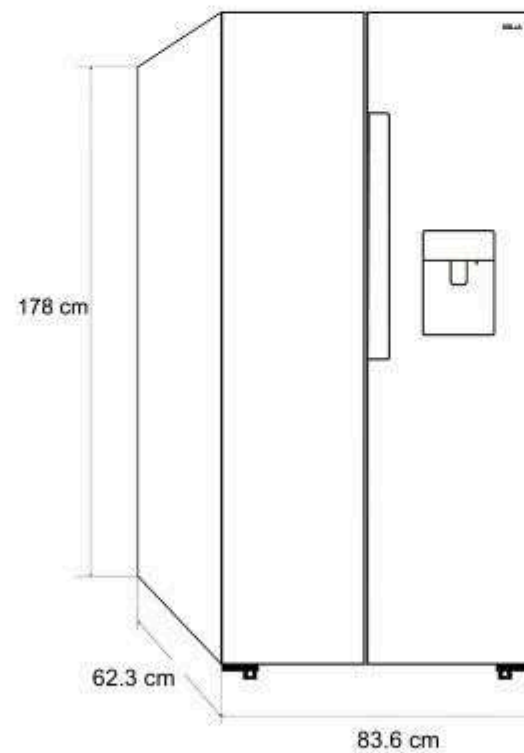
- Egg tray
- Energy-saving and low-noise operation.
- Removable door seal for easy cleaning.
- Digital temperature control.



INOX

**1 YEAR**  
warranty

DR



## POD



### Tempered glass shelves

Tempered glass shelves offer high resistance to weight and impact, providing a stable, easy-to-clean, and safe surface to organize your food.



### Manual twist ice maker

Release ice cubes with a simple twist – no molds or Electric connections needed. Its compact design maximizes interior refrigerator space.



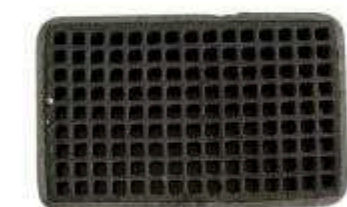
### Gravity-fed water dispenser

Its gravity system allows water to be dispensed without the need for electricity or pumps—perfect for homes, offices, or outdoor spaces.



### Easy to clean

Its non-porous surface prevents stains and bacteria, keeping it spotless with just a simple wipe.



### Carbon filter

Neutralizes unpleasant odors and keeps the interior fresh and contaminant-free, preserving the natural flavor and freshness of your food.



### Open door alarm

Avoid cold air loss and unnecessary energy consumption: if the door stays open for over one minute, the alarm system alerts you to close it in time.

## spec.

<b>Capacity</b>	15.6 cu.ft3   441L
<b>Material</b>	Stainless steel
<b>Dimensions (W x D x H)</b>	83.6x 62.3 x 178
<b>Compressor</b>	Inverter
<b>Cooling system</b>	Turbo - Express
<b>Door opening</b>	No handles
<b>Power</b>	100 W
<b>Voltage</b>	115V – 60 Hz

## PODs

- Egg tray
- Energy-saving and low-noise operation.
- Removable door seal for easy cleaning.
- Digital temperature control.

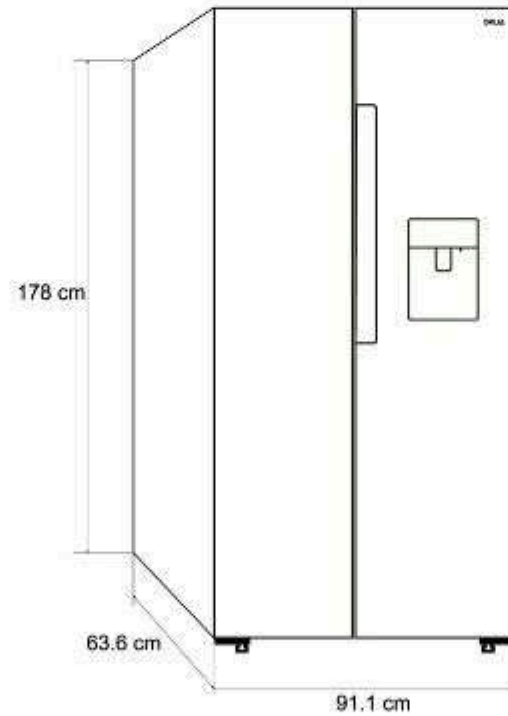


\*\*\*Some images are for illustrative purposes only.

### INOX-18

**1 YEAR**  
warranty

**DR**



## POD

## spec.

<b>Capacity</b>	17.7 P3   500 L
<b>Material</b>	Stainless Steel
<b>Dimensions (W x D x H)</b>	91.1 x 63.6 x 178
<b>Compressor</b>	Inverter
<b>Cooling system</b>	Turbo - Express
<b>Door opening</b>	No handles
<b>Power</b>	110 W
<b>Voltage</b>	115V - 60 Hz



### Tempered glass shelves

Tempered glass shelves offer high resistance to weight and impact, providing a stable, easy-to-clean, and safe surface to organize your food.



### Manual twist ice maker

Release ice cubes with a simple twist – no molds or Electric connections needed. Its compact design maximizes interior refrigerator space.



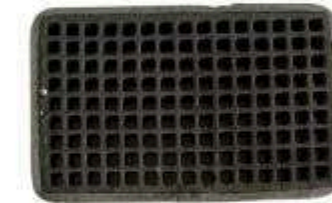
### Gravity-fed water dispenser

Its gravity system allows water to be dispensed without the need for electricity or pumps—perfect for homes, offices, or outdoor spaces.



### Easy to clean

Its non-porous surface prevents stains and bacteria, keeping it spotless with just a simple wipe.



### Carbon filter

Neutralizes unpleasant odors and keeps the interior fresh and contaminant-free, preserving the natural flavor and freshness of your food.



### Open door alarm

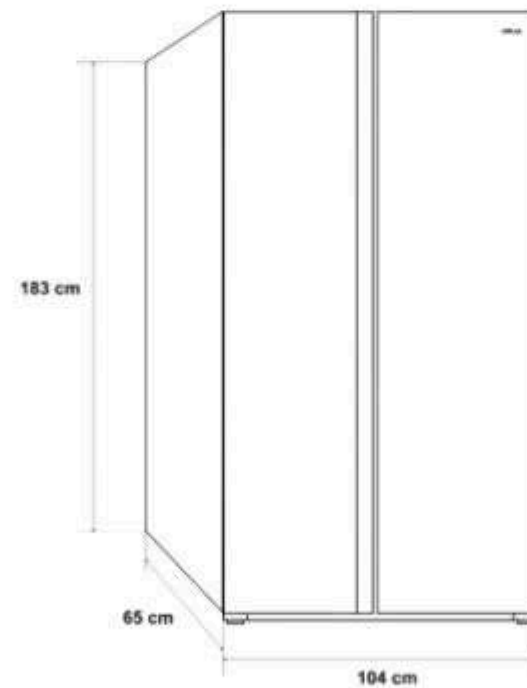
Avoid cold air loss and unnecessary energy consumption: if the door stays open for over one minute, the alarm system alerts you to close it in time.

### PODs

- Egg tray
- Energy-saving and low-noise operation.
- Removable door seal for easy cleaning.
- Digital temperature control.

### INOX-23

**1 YEAR**  
warranty



## POD

## spec.



### More Space

Greater capacity offers more flexibility for storage. With abundant room and optimal air circulation, your food stays fresher for longer.



### Ultra-Fast Cooling

Quickly chills your groceries, ensuring icy drinks and fresh food while preserving flavor, texture, and nutrients efficiently.



### 6 large drawers for maximum storage

Customize the space to your needs with adjustable shelves that let you rearrange items easily—perfect for storing large or irregularly shaped foods.



### Digital temperature control

Easily adjust the temperature with the intuitive digital panel to ensure optimal conditions for long-lasting food preservation.



### Tempered glass shelves

Tempered glass shelves offer high resistance to weight and impact, providing a stable, easy-to-clean, and safe surface to organize your food.



### Easy to clean

Its non-porous surface prevents stains and bacteria, keeping it spotless with just a simple wipe.

### PODs

- Egg tray
- Energy-saving and low-noise operation.
- Removable door seal for easy cleaning.
- Digital temperature control.
- Carbon filter

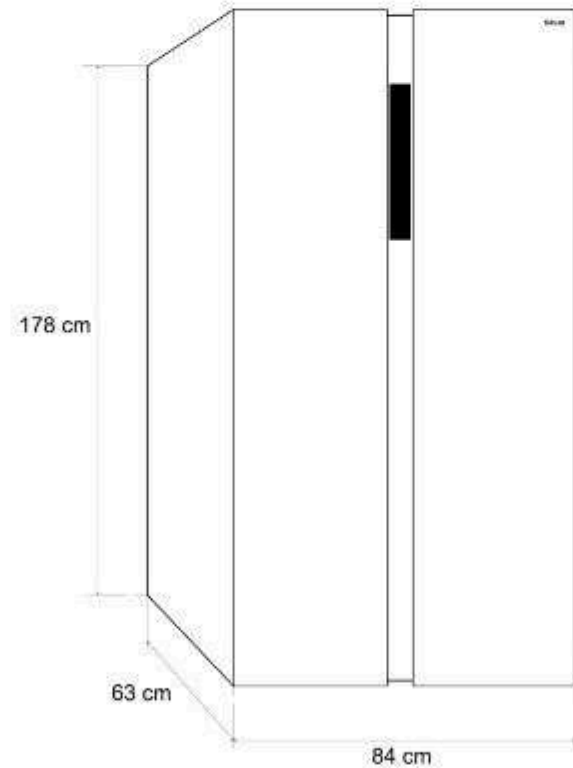
<b>Capacity</b>	23 Cu.ft   643 L
<b>Material</b>	Stainless steel
<b>Dimensions (W x D x H)</b>	104 x 65 x 183
<b>Compressor</b>	Inverter
<b>Cooling system</b>	Multi-zone cooling
<b>Door opening</b>	No handles
<b>Power</b>	180 W
<b>Voltage</b>	115V - 60 Hz



BLACK

1 YEAR warranty

DR



# POD



### Tempered glass shelves

Tempered glass shelves offer high resistance to weight and impact, providing a stable, easy-to-clean, and safe surface to organize your food.



### Manual twist ice maker

Release ice cubes with a simple twist – no molds or Electric connections needed. Its compact design maximizes interior refrigerator space.



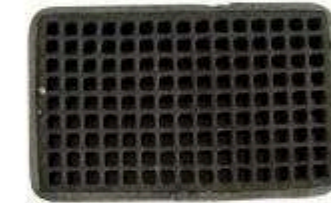
### Digital temperature control

Easily adjust the temperature with the intuitive digital panel to ensure optimal conditions for long-lasting food preservation.



### Easy to clean

Its non-porous surface prevents stains and bacteria, keeping it spotless with just a simple wipe.



### Carbon filter

Neutralizes unpleasant odors and keeps the interior fresh and contaminant-free, preserving the natural flavor and freshness of your food.



### Open door alarm

Avoid cold air loss and unnecessary energy consumption: if the door stays open for over one minute, the alarm system alerts you to close it in time.

# spec.

<b>Capacity</b>	15.6 Cu.ft  441 L
<b>Material</b>	Black mirror   tempered glass
<b>Dimensions (W x D x H)</b>	83.6 x 63 x 178
<b>Compressor</b>	Inverter
<b>Cooling system</b>	Turbo - Express
<b>Door opening</b>	No handles
<b>Power</b>	100 W
<b>Voltage</b>	115V – 60 Hz

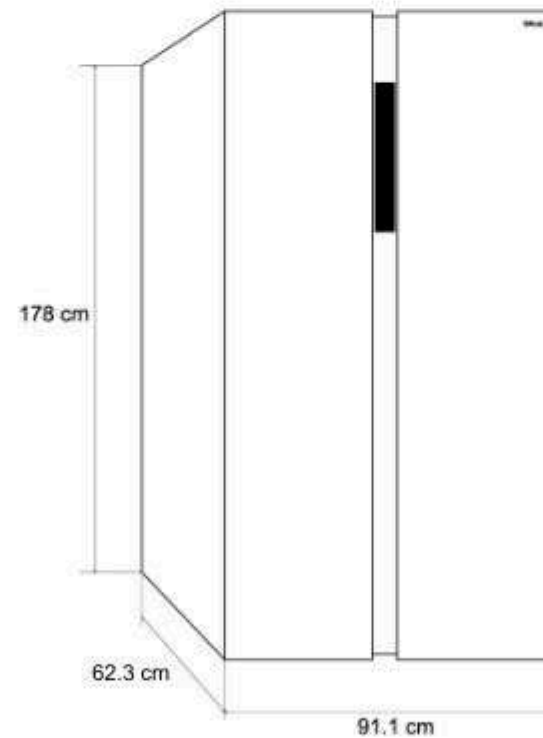
## PODs

- Egg-cup
- Energy efficiency and sound attenuation.
- The door seal is easily removable and cleanable.



### BLACK-18

**1 YEAR**  
warranty



## POD



### Tempered glass shelves

Tempered glass shelves offer high resistance to weight and impact, providing a stable, easy-to-clean, and safe surface to organize your food.



### Manual twist ice maker

Release ice cubes with a simple twist – no molds or Electric connections needed. Its compact design maximizes interior refrigerator space.



### Digital temperature control

Easily adjust the temperature with the intuitive digital panel to ensure optimal conditions for long-lasting food preservation.



### Easy to clean

Its non-porous surface prevents stains and bacteria, keeping it spotless with just a simple wipe.



### Carbon filter

Neutralizes unpleasant odors and keeps the interior fresh and contaminant-free, preserving the natural flavor and freshness of your food.



### Open door alarm

Avoid cold air loss and unnecessary energy consumption: if the door stays open for over one minute, the alarm system alerts you to close it in time.

## spec.

### Capacity

17.7 Cu.ft | 500 L

### Material

Black mirror | tempered glass

### Dimensions (W x D x H)

91.1 x 62.3 x 178

### Compressor

Inverter

### Cooling system

Turbo - Express

### Door opening

No handles

### Power

110 W

### Voltage

115V – 60 Hz

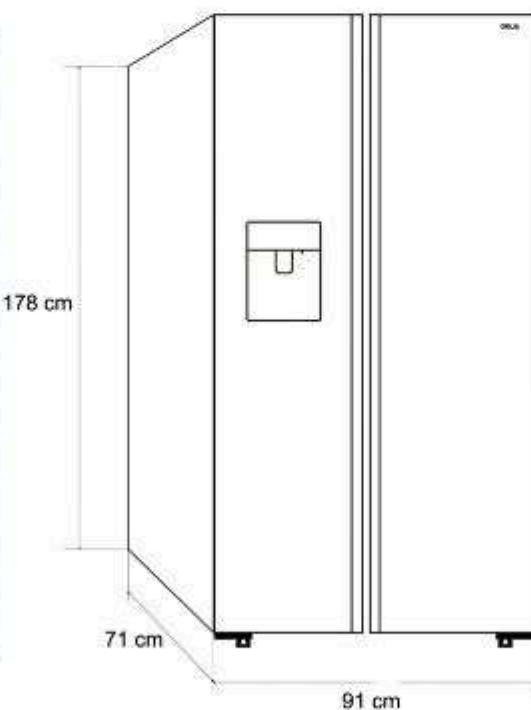
## PODs

- Egg tray
- Energy-saving and low-noise operation.
- Removable door seal for easy cleaning.
- Digital temperature control.



### BLACK-20CFAH

**1 YEAR** warranty **DR**



## POD



### More Space

Greater capacity offers more flexibility for storage. With abundant room and optimal air circulation, your food stays fresher for longer.



### Ultra Fast Cooling

Quickly chills your groceries, ensuring icy drinks and fresh food while preserving flavor, texture, and nutrients efficiently.



### Ice Maker

Get more ice with the built-in door ice maker—so you're never short on supply.



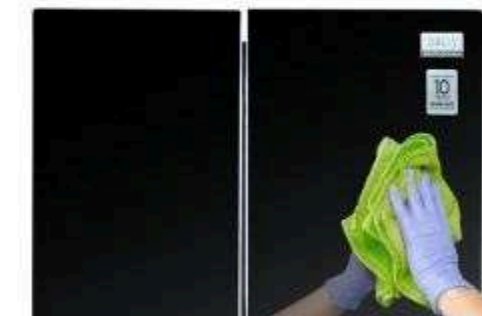
### Water and ice dispenser

- Instant ice cubes for every occasion.
- Crushed ice for perfectly chilled drinks.
- Cold, purified water at your fingertips.



### Tempered glass shelves

Tempered glass shelves offer high resistance to weight and impact, providing a stable, easy-to-clean, and safe surface to organize your food.



### Easy to clean

Its non-porous surface prevents stains and bacteria, keeping it spotless with just a simple wipe.

## spec.

<b>Capacity</b>	20 Cu.ft   566 L
<b>Material</b>	Black mirror   tempered glass
<b>Dimensions (W x D x H)</b>	91 x 71 x 178
<b>Compressor</b>	Inverter
<b>Cooling system</b>	Multi-zone cooling
<b>Door opening</b>	No handles
<b>Power</b>	130 W
<b>Voltage</b>	115V – 60 Hz

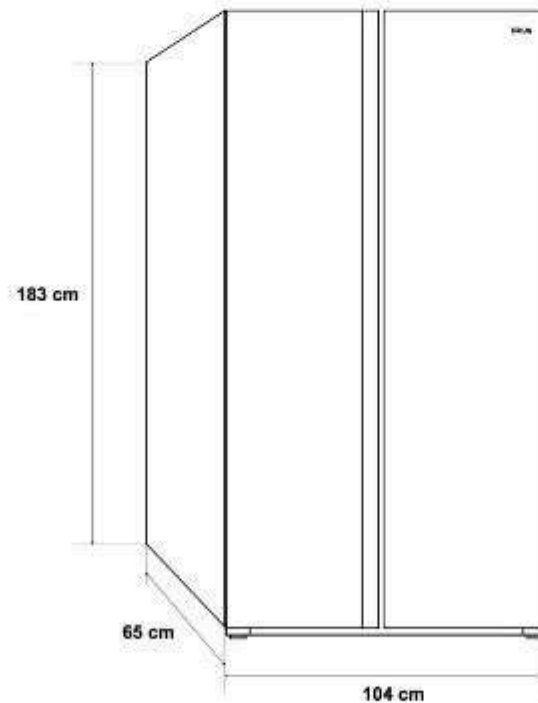
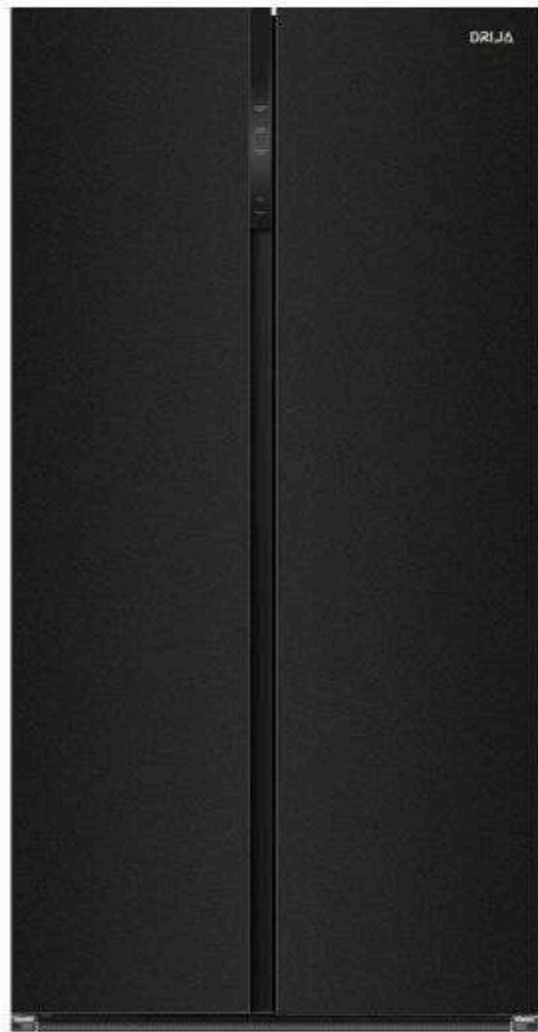
### PODs

- Egg tray
- Energy-saving and low-noise operation.
- Removable door seal for easy cleaning.
- Digital temperature control.
- Carbon filter.

\*\*\*Some images are for illustrative purposes only.

### BLACK-23

**1 YEAR**  
warranty



## POD

## spec.



### More Space

Greater capacity offers more flexibility for storage. With abundant room and optimal air circulation, your food stays fresher for longer.



### Ultra-Fast Cooling

Quickly chills your groceries, ensuring icy drinks and fresh food while preserving flavor, texture, and nutrients efficiently.



### 6 large drawers for maximum storage

Customize the space to your needs with adjustable shelves that let you rearrange items easily—perfect for storing large or irregularly shaped foods.



### Digital temperature control

Easily adjust the temperature with the intuitive digital panel to ensure optimal conditions for long-lasting food preservation.



### Tempered glass shelves

Tempered glass shelves offer high resistance to weight and impact, providing a stable, easy-to-clean, and safe surface to organize your food.



### Easy to clean

Its non-porous surface prevents stains and bacteria, keeping it spotless with just a simple wipe.

### Capacity

23 Cu.ft | 643 L

### Material

Black glass | tempered glass

### Dimensions (W x D x H)

104 x 65 x 183

### Compressor

Inverter

### Cooling system

Multi-zone cooling

### Door opening

No handles

### Power

180 W

### Voltage

115V – 60 Hz

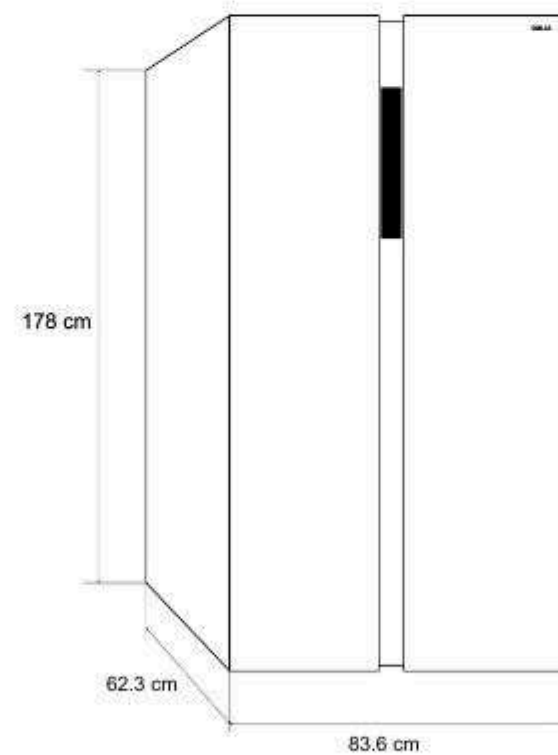
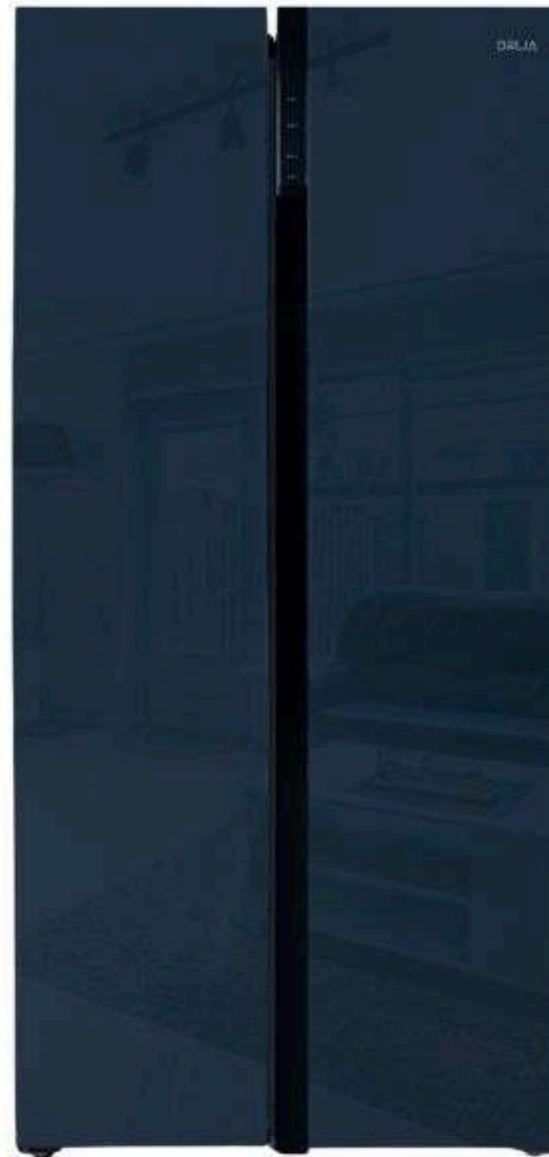
### PODs

- Egg tray
- Energy-saving and low-noise operation.
- Removable door seal for easy cleaning.
- Digital temperature control.
- Carbon filter



### MIRROR

**1 YEAR**  
warranty



## POD



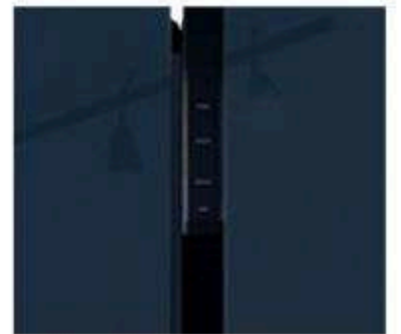
### Tempered glass shelves

Tempered glass shelves offer high resistance to weight and impact, providing a stable, easy-to-clean, and safe surface to organize your food.



### Manual twist ice maker

Release ice cubes with a simple twist – no molds or Electric connections needed. Its compact design maximizes interior refrigerator space.



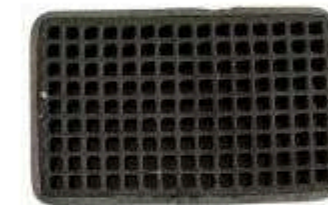
### Digital temperature control

Easily adjust the temperature with the intuitive digital panel to ensure optimal conditions for long-lasting food preservation.



### Easy to clean

Its non-porous surface prevents stains and bacteria, keeping it spotless with just a simple wipe.



### Carbon filter

Neutralizes unpleasant odors and keeps the interior fresh and contaminant-free, preserving the natural flavor and freshness of your food.



### Open door alarm

Avoid cold air loss and unnecessary energy consumption: if the door stays open for over one minute, the alarm system alerts you to close it in time.

## spec.

**Capacity**

15.6 cu.ft | 441 L

**Material**

Blue mirror | tempered glass

**Dimensions**  
(W x D x H)

83.6x 62.3 x 178

**Compressor**

Inverter

**Cooling system**

Turbo - Express

**Door opening**

No handles

**Power**

100 W

**Voltage**

115V – 60 Hz

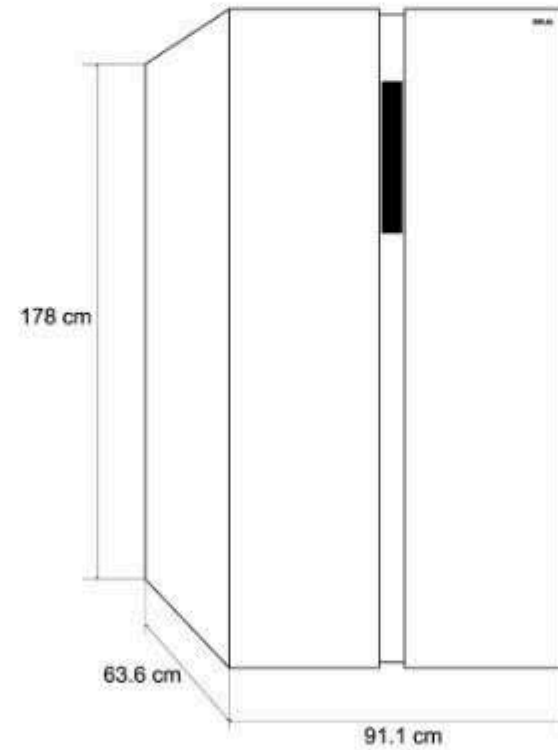
### PODs

- Egg tray
- Energy-saving and low-noise operation.
- Removable door seal for easy cleaning.
- Digital temperature control.



### MIRROR-18

**1 YEAR** warranty **DR**



## POD

## spec.

<b>Capacity</b>	17.7 Cu.ft   500 L
<b>Material</b>	Blue mirror   tempered glass
<b>Dimensions (W x D x H)</b>	91.1 x 63.6 x 178
<b>Compressor</b>	Inverter
<b>Cooling system</b>	Turbo - Express
<b>Door opening</b>	No handles
<b>Power</b>	110 W
<b>Voltage</b>	115V - 60 Hz



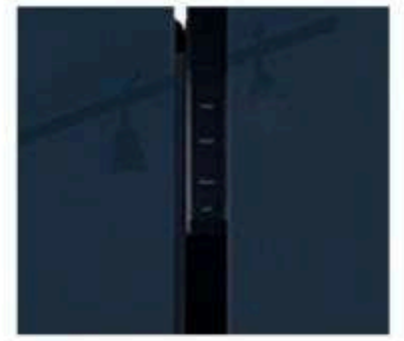
### Tempered glass shelves

Tempered glass shelves offer high resistance to weight and impact, providing a stable, easy-to-clean, and safe surface to organize your food.



### Manual twist ice maker

Release ice cubes with a simple twist – no molds or Electric connections needed. Its compact design maximizes interior refrigerator space.



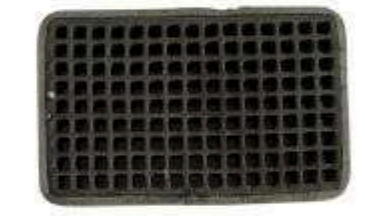
### Digital temperature control

Easily adjust the temperature with the intuitive digital panel to ensure optimal conditions for long-lasting food preservation.



### Easy to clean

Its non-porous surface prevents stains and bacteria, keeping it spotless with just a simple wipe.



### Carbon filter

Neutralizes unpleasant odors and keeps the interior fresh and contaminant-free, preserving the natural flavor and freshness of your food.



### Open door alarm

Avoid cold air loss and unnecessary energy consumption: if the door stays open for over one minute, the alarm system alerts you to close it in time.

### PODs

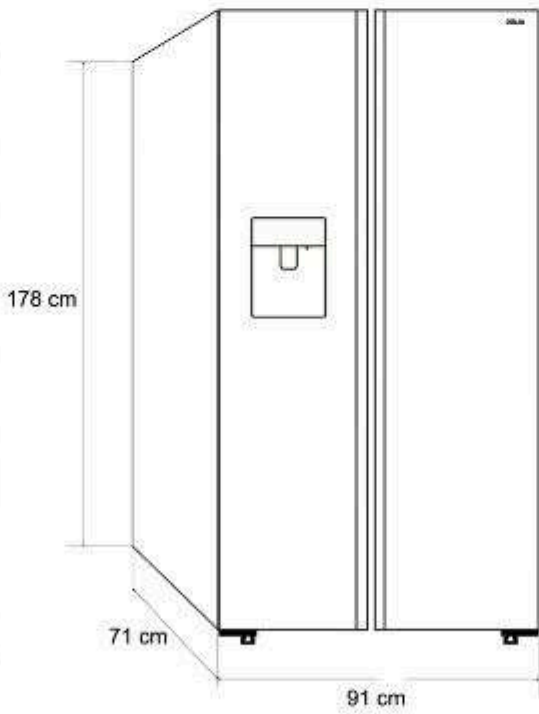
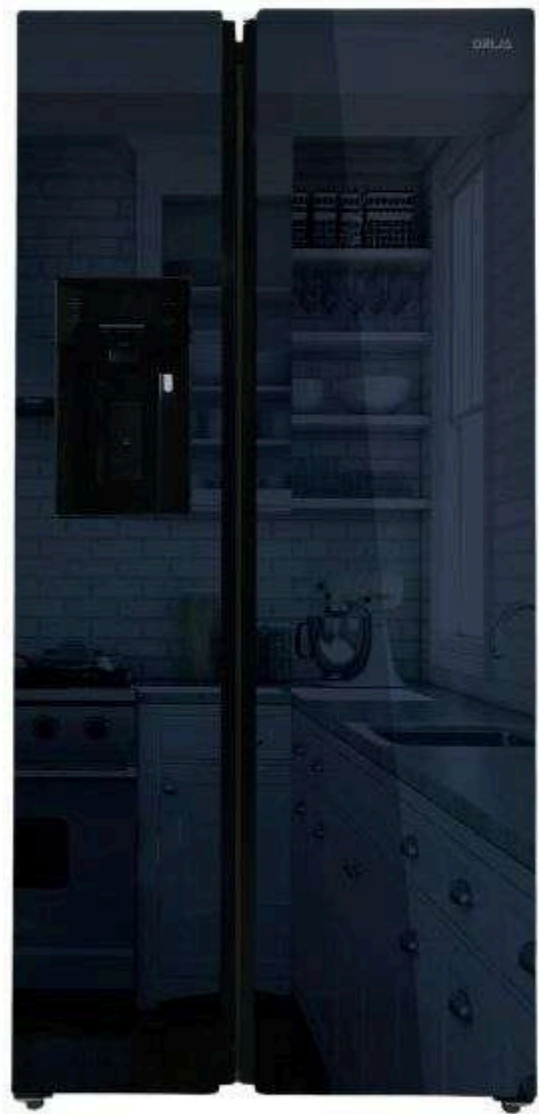
- Egg tray
- Energy-saving and low-noise operation.
- Removable door seal for easy cleaning.
- Digital temperature control.



\*\*\*Some images are for illustrative purposes only.

## MIRROR-20CFAH

**1 YEAR** warranty **DR**



# POD



### More Space

Greater capacity offers more flexibility for storage. With abundant room and optimal air circulation, your food stays fresher for longer.



### Ultra-Fast Cooling

Quickly chills your groceries, ensuring icy drinks and fresh food while preserving flavor, texture, and nutrients efficiently.



### Ice Maker

Get more ice with the built-in door ice maker—so you're never short on supply.



### Water and ice dispenser

- Instant ice cubes for every occasion.
- Crushed ice for perfectly chilled drinks.
- Cold, purified water at your fingertips.



### Tempered glass shelves

Tempered glass shelves offer high resistance to weight and impact, providing a stable, easy-to-clean, and safe surface to organize your food.



### Easy to clean

Its non-porous surface prevents stains and bacteria, keeping it spotless with just a simple wipe.

# spec.

<b>Capacity</b>	20 Cu.ft   566 L
<b>Material</b>	Blue mirror   tempered glass
<b>Dimensions (W x D x H)</b>	91 x 71 x 178
<b>Compressor</b>	Inverter
<b>Cooling system</b>	Multi-zone cooling
<b>Door opening</b>	No handles
<b>Power</b>	130 W
<b>Voltage</b>	115V – 60 Hz

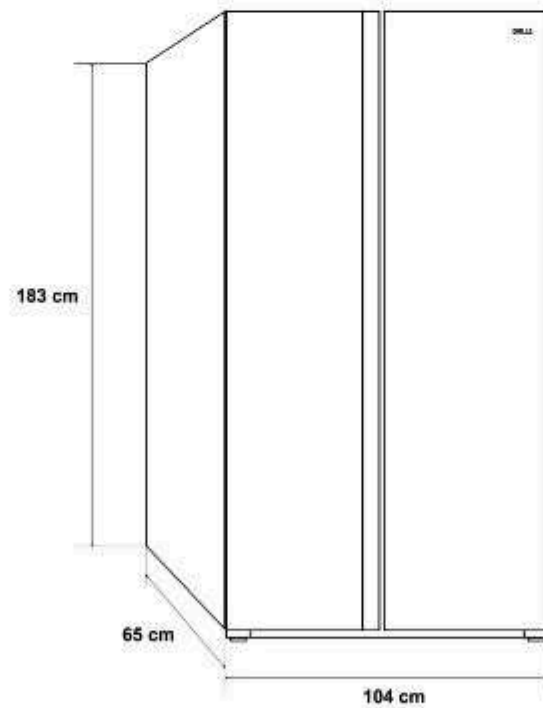
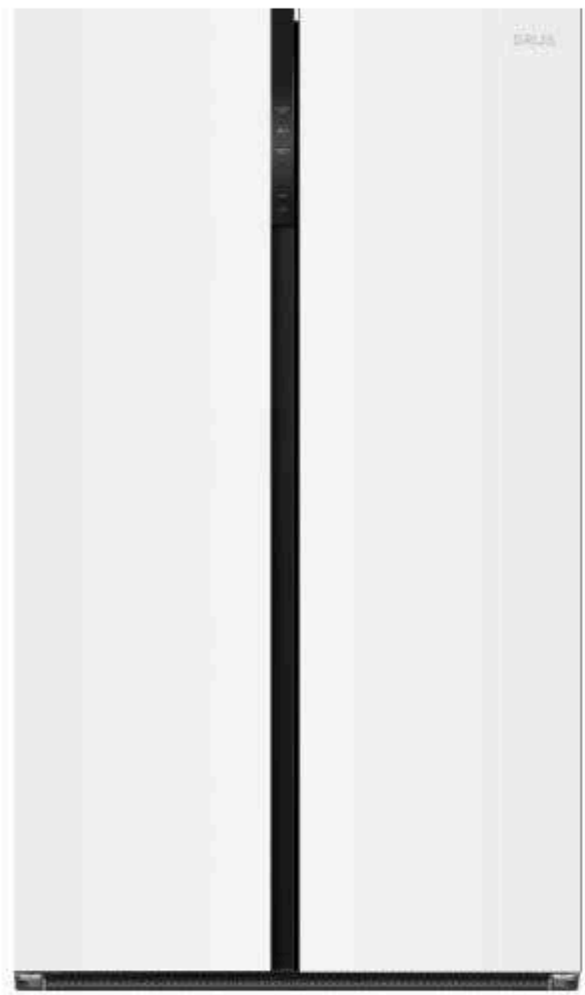
## PODs

- Egg tray
- Energy-saving and low-noise operation.
- Removable door seal for easy cleaning.
- Digital temperature control.
- Carbon filter.

\*\*\*Some images are for illustrative purposes only.

### WHITE-23

**1 YEAR** warranty **DR**



## POD

## spec.

<b>Capacity</b>	23 Cu.ft   643 L
<b>Material</b>	White mirror   tempered glass
<b>Dimensions (W x D x H)</b>	104 x 65 x 183
<b>Compressor</b>	Inverter
<b>Cooling system</b>	Multi-zone cooling
<b>Door opening</b>	No handles
<b>Power</b>	180 W
<b>Voltage</b>	115V - 60 Hz



**More Space**  
Greater capacity offers more flexibility for storage. With abundant room and optimal air circulation, your food stays fresher for longer.



**Ultra-Fast Cooling**  
Quickly chills your groceries, ensuring icy drinks and fresh food while preserving flavor, texture, and nutrients efficiently.



**6 large drawers for maximum storage**  
Customize the space to your needs with adjustable shelves that let you rearrange items easily—perfect for storing large or irregularly shaped foods.



**Digital temperature control**  
Easily adjust the temperature with the intuitive digital panel to ensure optimal conditions for long-lasting food preservation.



**Tempered glass shelves**  
Tempered glass shelves offer high resistance to weight and impact, providing a stable, easy-to-clean, and safe surface to organize your food.

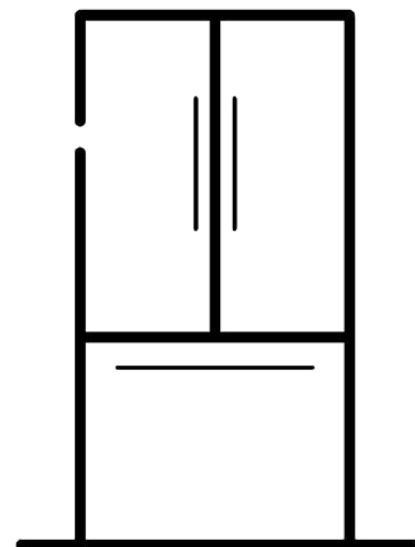


**Easy to clean**  
Its non-porous surface prevents stains and bacteria, keeping it spotless with just a simple wipe.

### PODs

- Egg tray
- Energy-saving and low-noise operation.
- Removable door seal for easy cleaning.
- Digital temperature control.
- Carbon filter

\*\*\*Some images are for illustrative purposes only.



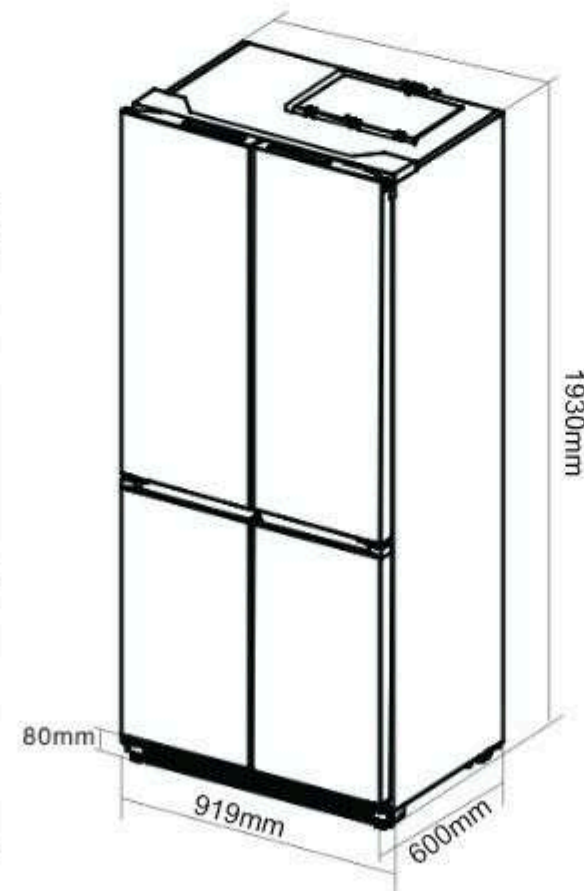
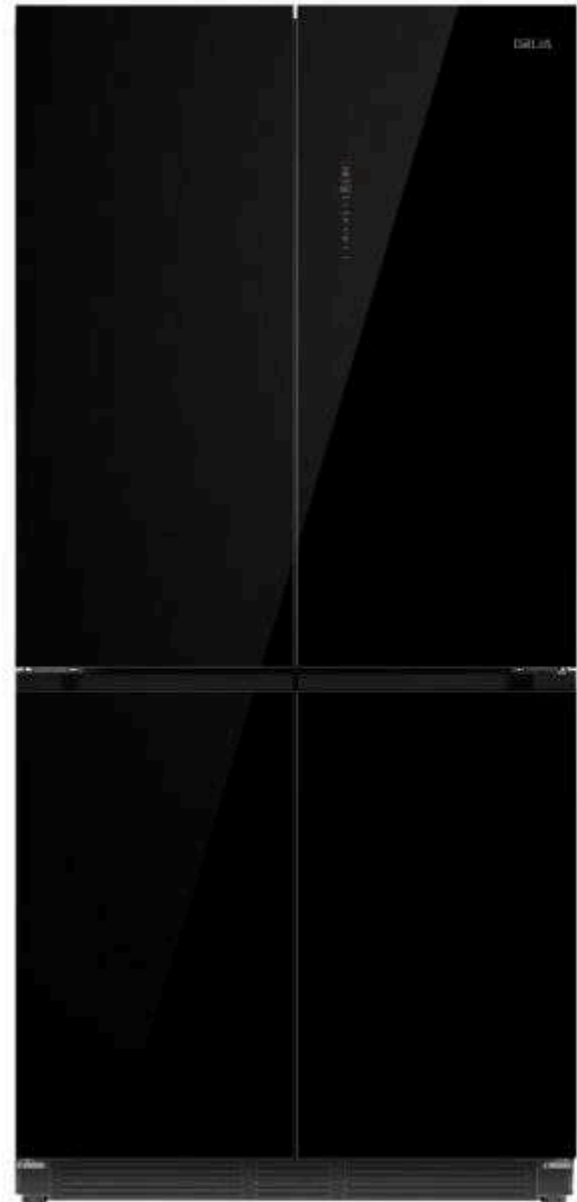
# FRENCH DOORS

- INOX-18D3P
- INOX-20D3P
- INOX-18D4P
- BLACK-18D4P
- MIRROR-18D4P
- BLACK-19D4P
- GLASS-B 18FD4P
- GLASS-B 18CD4P
- DARK- I 18FD4P
- DARK-I 18CD4P

### GLASS-B 18CD4P

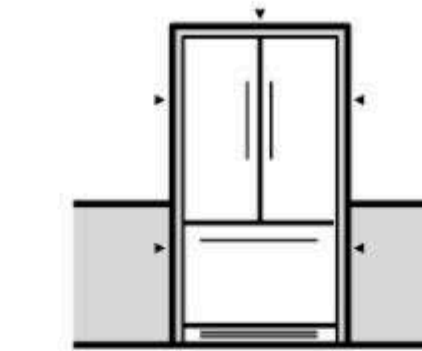
**1 YEAR**  
warranty

**DR**



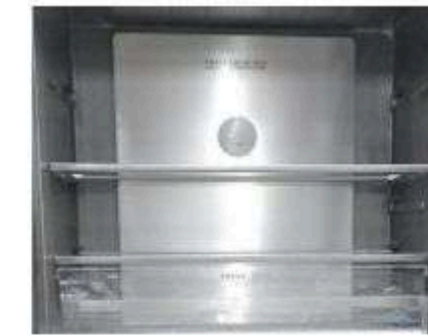
**BUILT-IN  
DESIGN**

**POD**



#### Built-in design

Modern and functional aesthetics that fit perfectly into your kitchen, optimizing available space.



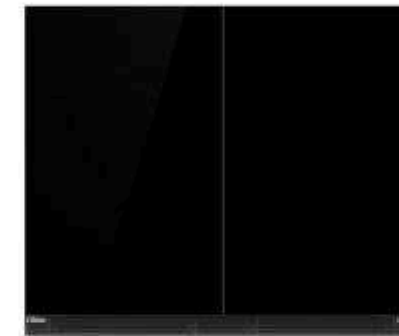
#### SMART FRESHNESS

Incorporates a metal cooling plate that retains cold air and speeds up temperature recovery after the door is opened.



#### MOIST ZONE

Humidity control system with moisture retention that helps extend the freshness of fruits and vegetables.



#### FLEX TEMP

Adjust the temperature according to your needs with three modes:

- Beverages (0°C)
- Meat (-4°C)
- Fruits (4°C)



#### Double-door freezer with 3 levels and 6 compartments

Humidity control system with moisture retention that helps extend the freshness of fruits and vegetables.



#### PURE SPACE

Activated carbon deodorizer located in the freezer that purifies the internal air, helping maintain a cleaner, odor-free environment.

**spec.**

#### Capacity

18.4 P3 | 522L

#### Material

Black glass | 6 mm tempered glass shelves

#### Dimensions (W x D x H)

91.9 x 60. x 193

#### Compressor

Inverter

#### Cooling system

Turbo - Express

#### Door opening

No handles

#### Power

150 W

#### Voltage

115V - 60 Hz

#### Otros

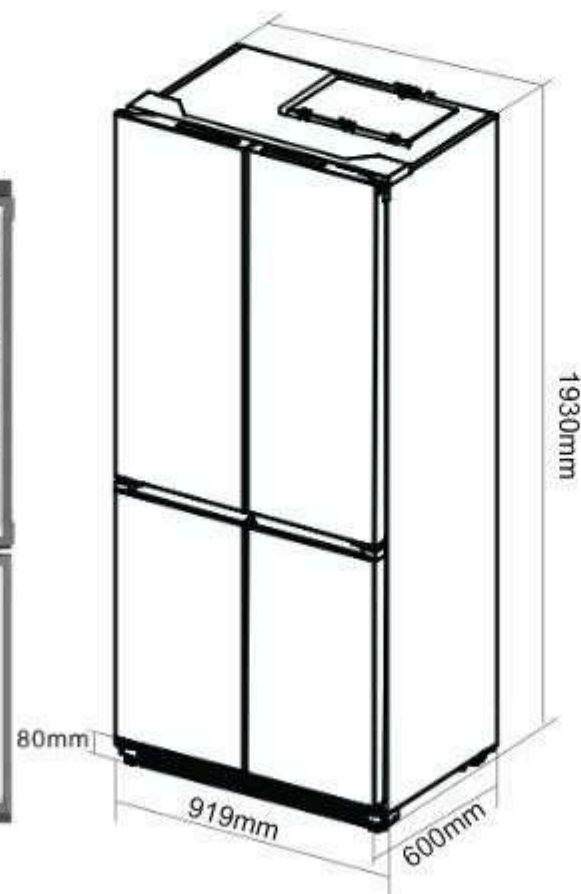
- LED lighting
- Digital control
- 3 activated carbon filters
- Moisture retention module



### DARK- I 18CD4P

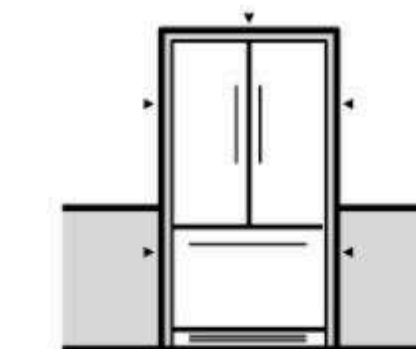
**1 YEAR**  
warranty

**DR**



**BUILT-IN  
DESIGN**

## POD



### Built-in design

Modern and functional aesthetics that fit perfectly into your kitchen, optimizing available space.



### SMART FRESHNESS

Incorporates a metal cooling plate that retains cold air and speeds up temperature recovery after the door is opened.



### MOIST ZONE

Humidity control system with moisture retention that helps extend the freshness of fruits and vegetables.



### FLEX TEMP

Adjust the temperature according to your needs with three modes:

- Beverages (0°C)
- Meat (-4°C)
- Fruits (4°C)



### PURE SPACE

Activated carbon deodorizer located in the freezer that purifies the internal air, helping maintain a cleaner, odor-free environment.



### CLEAN TOUCH

Special matte polished stainless steel treatment minimizes the visibility of fingerprints and stains, keeping the surface cleaner for longer and making maintenance easier.

## spec.

### Capacity

18.4 P3 | 522L

### Material

Matte black stainless steel | 6 mm tempered glass shelves

### Dimensions (W x D x H)

91.9 x 60. x 193

### Compressor

Inverter

### Cooling system

Turbo - Express

### Door opening

No handles

### Power

130 W

### Voltage

115V - 60 Hz

### Otros

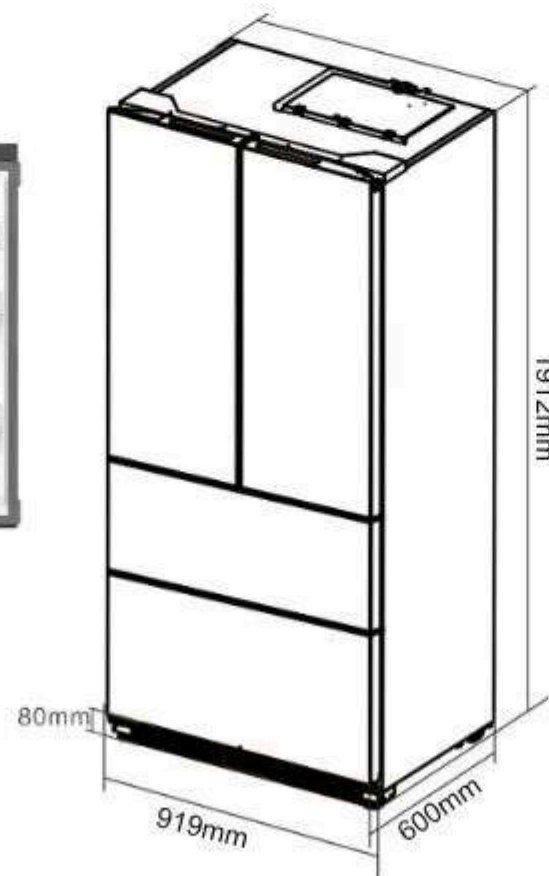
- LED lighting
- Digital control
- 3 activated carbon filters
- Moisture retention module



### GLASS-B 18FD4P

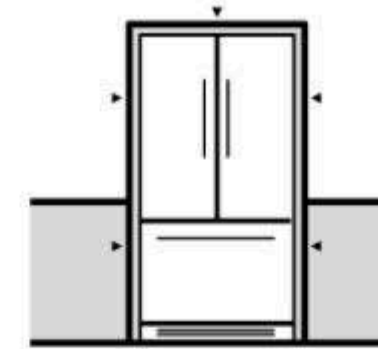
**1 YEAR**  
warranty

**DR**



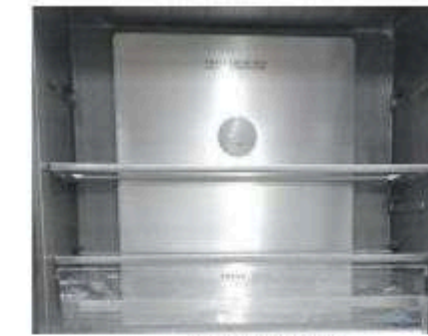
BUILT-IN  
DESIGN

## POD



### Built-in design

Modern and functional aesthetics that fit perfectly into your kitchen, optimizing available space.



### SMART FRESHNESS

Incorporates a metal cooling plate that retains cold air and speeds up temperature recovery after the door is opened.



### MOIST ZONE

Humidity control system with moisture retention that helps extend the freshness of fruits and vegetables.



### FLEX TEMP

Adjust the temperature according to your needs with three modes:

- Beverages (0°C)
- Meat (-4°C)
- Fruits (4°C)



### Two drawers with uniform temperature

Top drawer with a removable basket for better organization. Lower compartment with two spacious trays, including one with easy access.



### PURE SPACE

Activated carbon deodorizer located in the freezer that purifies the internal air, helping maintain a cleaner, odor-free environment.

## spec.

<b>Capacity</b>	18.1 P3   520L
<b>Material</b>	Black glass   6 mm tempered glass shelves
<b>Dimensions (W x D x H)</b>	91.9 x 60. x 191.2
<b>Compressor</b>	Inverter
<b>Cooling system</b>	Ultra fast Cooling
<b>Door opening</b>	No handles
<b>Power</b>	120 W
<b>Voltage</b>	115V - 60 Hz

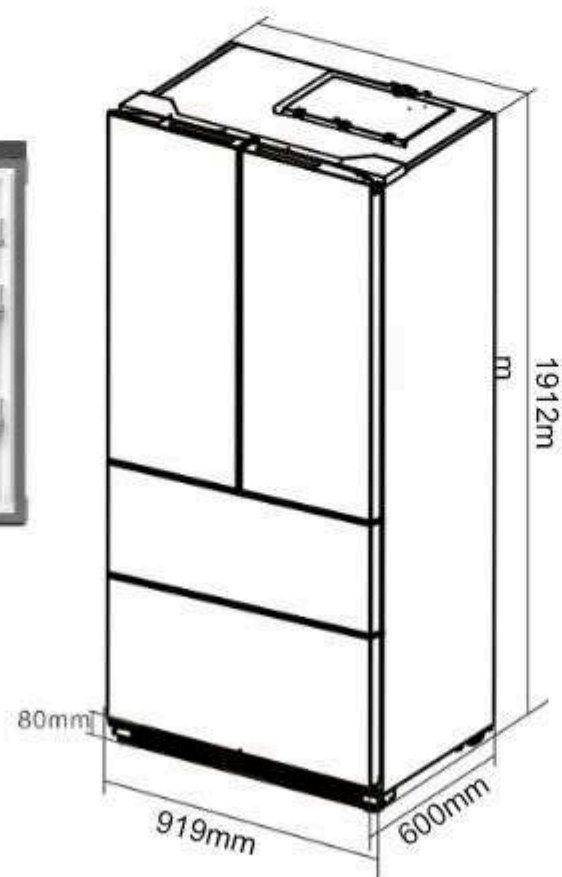
### Otros

- LED lighting
- Digital control
- 2 activated carbon filters
- Moisture retention module



### DARK- I 18FD4P

**1 YEAR**  
warranty



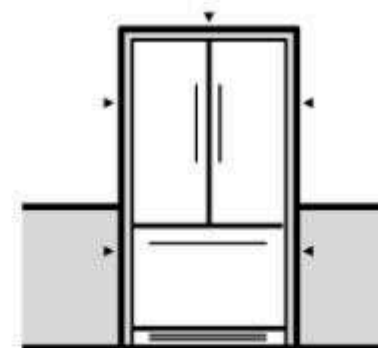
BUILT-IN  
DESIGN

### POD

### spec.

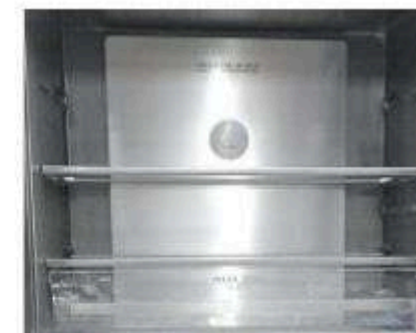


WE USE **R600a**  
REFRIGERANT GAS  
Highly efficient and eco-friendly



#### Built-in design

Modern and functional aesthetics that fit perfectly into your kitchen, optimizing available space.



#### SMART FRESHNESS

Incorporates a metal cooling plate that retains cold air and speeds up temperature recovery after the door is opened.



#### MOIST ZONE

Humidity control system with moisture retention that helps extend the freshness of fruits and vegetables.



#### FLEX TEMP

Adjust the temperature according to your needs with three modes:

- Beverages (0°C)
- Meat (-4°C)
- Fruits (4°C)



#### Double freezer drawer

An extra freezer drawer that's perfect for keeping frozen food organized and storing large amounts without losing order or easy access.



#### CLEAN TOUCH

Special matte polished stainless steel treatment minimizes the visibility of fingerprints and stains, keeping the surface cleaner for longer and making maintenance easier.

#### Capacity

18.1 P3 | 520L

#### Material

Matte black stainless steel | 6 mm tempered glass shelves

#### Dimensions (W x D x H)

91.9 x 60 x 191.2

#### Compressor

Inverter

#### Cooling system

Ultra fast Cooling

#### Door opening

No handles

#### Power

120 W

#### Voltage

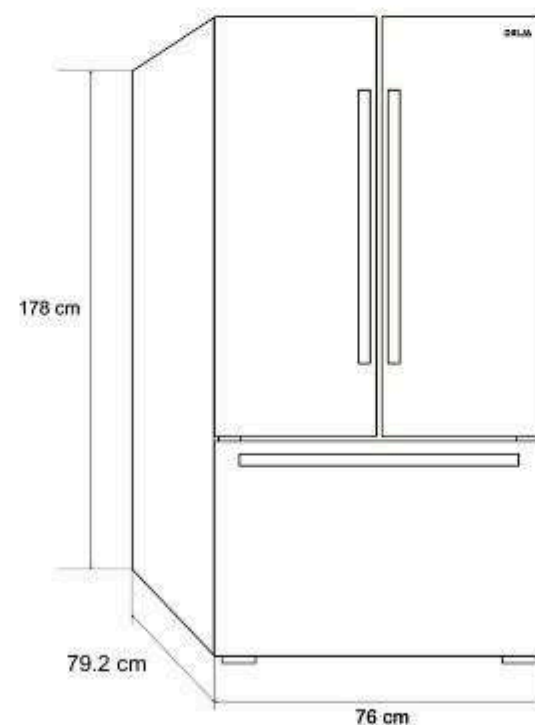
115V - 60 Hz

#### Otros

- LED lighting
- Digital control
- 2 activated carbon filters
- Moisture retention module



**INOX-18D3P**  
**1 YEAR** warranty **DR**



### POD

### spec.



#### More Space

Greater capacity offers more flexibility for storage. With abundant room and optimal air circulation, your food stays fresher for longer.



#### LED Light

Efficient and long-lasting light that brightens every corner of your fridge, making it easy to find what you need at a glance.



#### Tempered glass shelves

Tempered glass shelves offer high resistance to weight and impact, providing a stable, easy-to-clean, and safe surface to organize your food.



#### Adjustable freezer tray

Customize your storage space by adjusting or removing freezer levels to fit larger or irregularly shaped items with ease.



#### Carbon filter

Neutralizes unpleasant odors and keeps the interior fresh and contaminant-free, preserving the natural flavor and freshness of your food.



#### Easy to clean

Its non-porous surface prevents stains and bacteria, keeping it spotless with just a simple wipe.

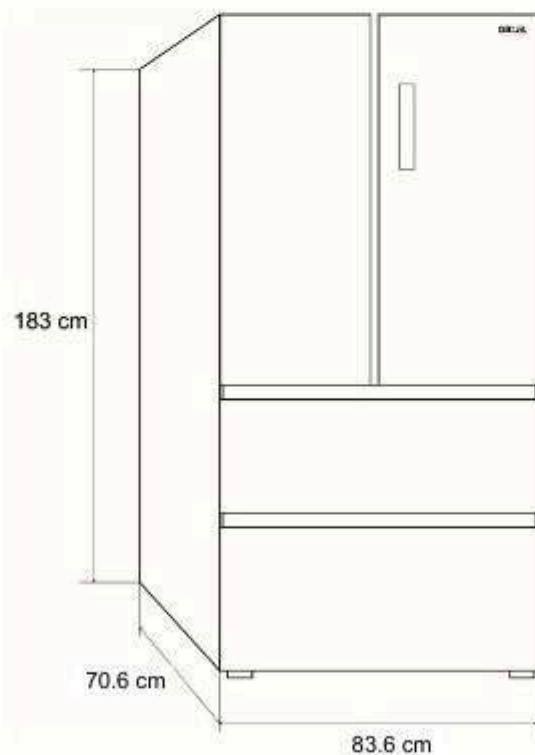
#### PODs

- Egg tray
- Energy-saving and low-noise operation.
- Digital temperature control.
- Carbon filter

<b>Capacity</b>	18 Cu.ft   509L
<b>Material</b>	Stainless steel
<b>Dimensions (W x D x H)</b>	76 x 79.2 x 178
<b>Compressor</b>	Inverter
<b>Cooling system</b>	Ultra fast Cooling
<b>Door opening</b>	Grab handle
<b>Power</b>	120 W
<b>Voltage</b>	115V – 60 Hz

### INOX-18D4P

**1 YEAR**  
warranty



## POD



### More Space

Greater capacity offers more flexibility for storage. With abundant room and optimal air circulation, your food stays fresher for longer.



### Ultra Fast Cooling

Quickly chills your groceries, ensuring icy drinks and fresh food while preserving flavor, texture, and nutrients efficiently.



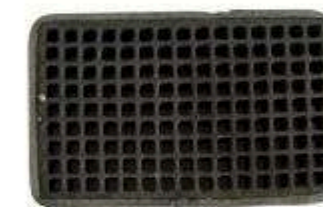
### Large-capacity drawers

High-capacity drawers allow you to store fruits, vegetables, and bulky items in an organized way, maximizing the refrigerator's usable space.



### Double freezer drawer

An extra freezer drawer that's perfect for keeping frozen food organized and storing large amounts without losing order or easy access.



### Carbon filter

Neutralizes unpleasant odors and keeps the interior fresh and contaminant-free, preserving the natural flavor and freshness of your food.



### Easy to clean

Its non-porous surface prevents stains and bacteria, keeping it spotless with just a simple wipe.

## spec.

<b>Capacity</b>	18 Cu.ft   506L
<b>Material</b>	Stainless steel
<b>Dimensions (W x D x H)</b>	83.6 x 70.6 x 183
<b>Compressor</b>	Inverter
<b>Cooling system</b>	Ultra fast Cooling
<b>Door opening</b>	No handles
<b>Power</b>	150 W
<b>Voltage</b>	115V – 60 Hz

### PODs

- Egg tray
- Energy-saving and low-noise operation.
- Digital temperature control.
- Carbon filter



### INOX-20D3P

**1 YEAR**  
warranty



## POD



### More Space

Greater capacity offers more flexibility for storage. With abundant room and optimal air circulation, your food stays fresher for longer.



### Ultra Fast Cooling

Quickly chills your groceries, ensuring icy drinks and fresh food while preserving flavor, texture, and nutrients efficiently.



### Double freezer drawer

Extra freezer drawer, perfect for better organization of frozen foods and storing large volumes without sacrificing order or accessibility.



### Two freezer levels

Lets you separate and organize your frozen foods efficiently, avoiding clutter and making it easy to locate each item.



### Digital temperature control

Not only allows you to precisely set your refrigerator to the desired temperature, but also gives you a clear and intuitive view of the internal conditions.



### Clean Touch

Special matte polished stainless steel treatment minimizes the visibility of fingerprints and stains, keeping the surface cleaner for longer and making maintenance easier.

## spec.

**Capacity**

20 Cu.ft | 508L

**Material**

Matte polished Inox

**Dimensions**  
(W x D x H)

91.1x 70.6 x 183

**Compressor**

Inverter

**Cooling system**

Ultra fast Cooling

**Door opening**

No handles

**Power**

120 W

**Voltage**

115V – 60 Hz

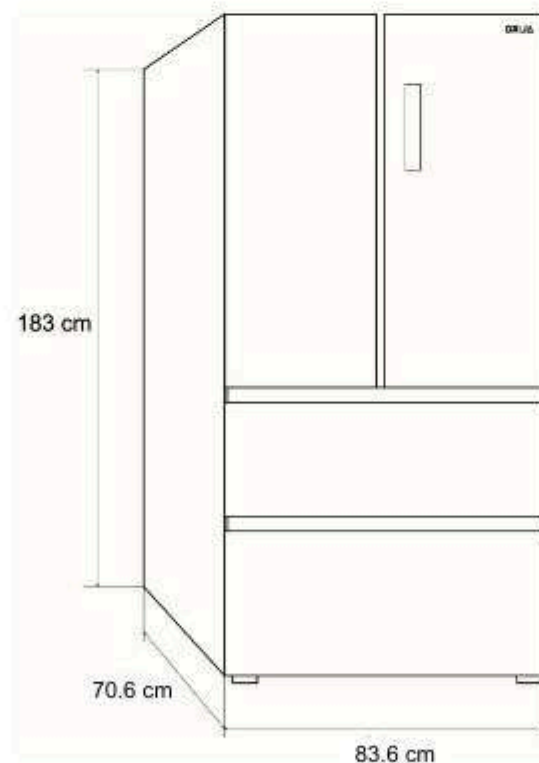
### PODs

- Egg tray
- Energy-saving and low-noise operation.
- Digital temperature control.
- Carbon filter



### BLACK-18D4P

**1 YEAR**  
warranty



## POD



### More Space

Greater capacity offers more flexibility for storage. With abundant room and optimal air circulation, your food stays fresher for longer.



### Ultra Fast Cooling

Quickly chills your groceries, ensuring icy drinks and fresh food while preserving flavor, texture, and nutrients efficiently.



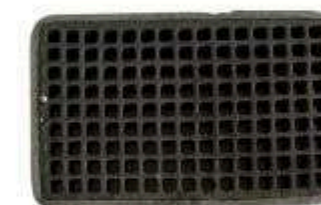
### Large-capacity drawers

High-capacity drawers allow you to store fruits, vegetables, and bulky items in an organized way, maximizing the refrigerator's usable space.



### Double freezer drawer

An extra freezer drawer that's perfect for keeping frozen food organized and storing large amounts without losing order or easy access.



### Carbon filter

Neutralizes unpleasant odors and keeps the interior fresh and contaminant-free, preserving the natural flavor and freshness of your food.



### Easy to clean

Its non-porous surface prevents stains and bacteria, keeping it spotless with just a simple wipe.

## spec.

**Capacity**

18 Cu.ft | 506L

**Material**

Black glass| tempered glass

**Dimensions**  
(W x D x H)

83.6 x 70.6 x 183

**Compressor**

Inverter

**Cooling system**

Ultra fast Cooling

**Door opening**

No handles

**Power**

150 W

**Voltage**

115V - 60 Hz

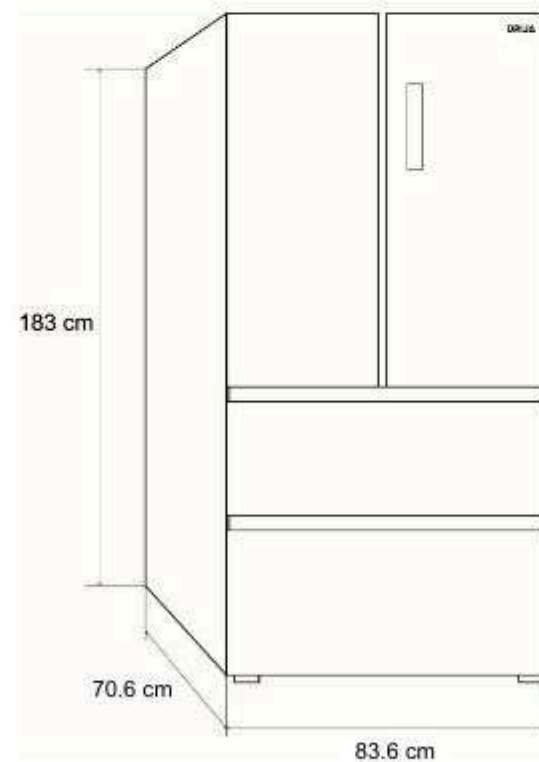
### PODs

- Egg tray
- Energy-saving and low-noise operation.
- Digital temperature control.
- Carbon filter



### MIRROR-18D4P

**1 YEAR** warranty **DR**



## POD

## spec.



### More Space

Greater capacity offers more flexibility for storage. With abundant room and optimal air circulation, your food stays fresher for longer.



### Ultra Fast Cooling

Quickly chills your groceries, ensuring icy drinks and fresh food while preserving flavor, texture, and nutrients efficiently.



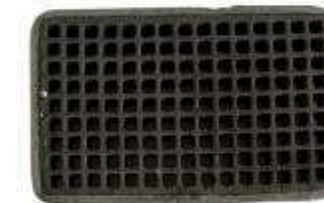
### Large-capacity drawers

High-capacity drawers allow you to store fruits, vegetables, and bulky items in an organized way, maximizing the refrigerator's usable space.



### Double freezer drawer

An extra freezer drawer that's perfect for keeping frozen food organized and storing large amounts without losing order or easy access.



### Carbon filter

Neutralizes unpleasant odors and keeps the interior fresh and contaminant-free, preserving the natural flavor and freshness of your food.



### Easy to clean

Its non-porous surface prevents stains and bacteria, keeping it spotless with just a simple wipe.

### PODs

- Egg tray
- Energy-saving and low-noise operation.
- Digital temperature control.
- Carbon filter

### Capacity

18 Cu.ft | 506L

### Material

Blue mirror | tempered glass

### Dimensions (W x D x H)

83.6 x 70.6 x 183

### Compressor

Inverter

### Cooling system

Ultra fast Cooling

### Door opening

No handles

### Power

150 W

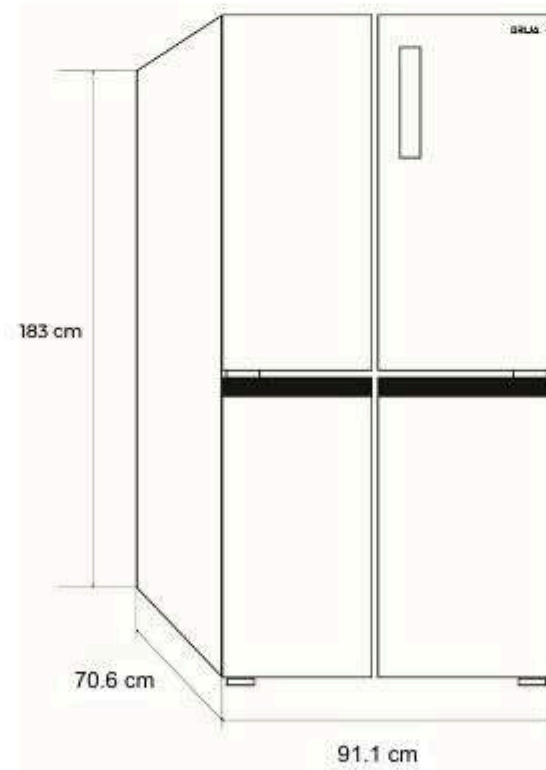
### Voltage

115V - 60 Hz



### BLACK-19D4P

**1 YEAR** warranty **DR**



## POD

## spec.



### More Space

Greater capacity offers more flexibility for storage. With abundant room and optimal air circulation, your food stays fresher for longer.



### Ultra Fast Cooling

Quickly chills your groceries, ensuring icy drinks and fresh food while preserving flavor, texture, and nutrients efficiently.



### Tempered glass shelves

Tempered glass shelves offer high resistance to weight and impact, providing a stable, easy-to-clean, and safe surface to organize your food.



### Double freezer doors with 6 storage compartments

Designed to keep frozen foods neatly organized, optimizing space and making everything easy to access.



### Digital temperature control

Easily adjust the temperature with the intuitive digital panel to ensure optimal conditions for long-lasting food preservation.



### Easy to clean

Its non-porous surface prevents stains and bacteria, keeping it spotless with just a simple wipe.

### PODs

- Egg tray
- Energy-saving and low-noise operation.
- Digital temperature control.
- Carbon filter

**Capacity**

17.9 Cu.ft 508L

**Material**

Black mirror | tempered glass

**Dimensions**  
(W x D x H)

91.1 x 70.6 x 183

**Compressor**

Inverter

**Cooling system**

Turbo - Express

**Door opening**

No handles

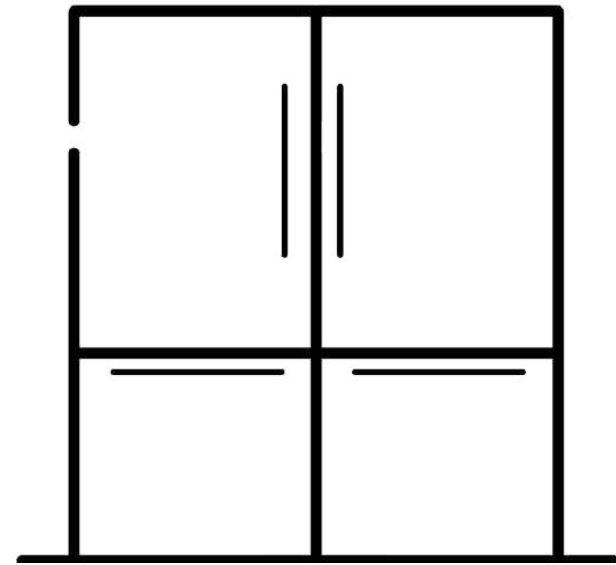
**Power**

150 W

**Voltage**

115V - 60 Hz



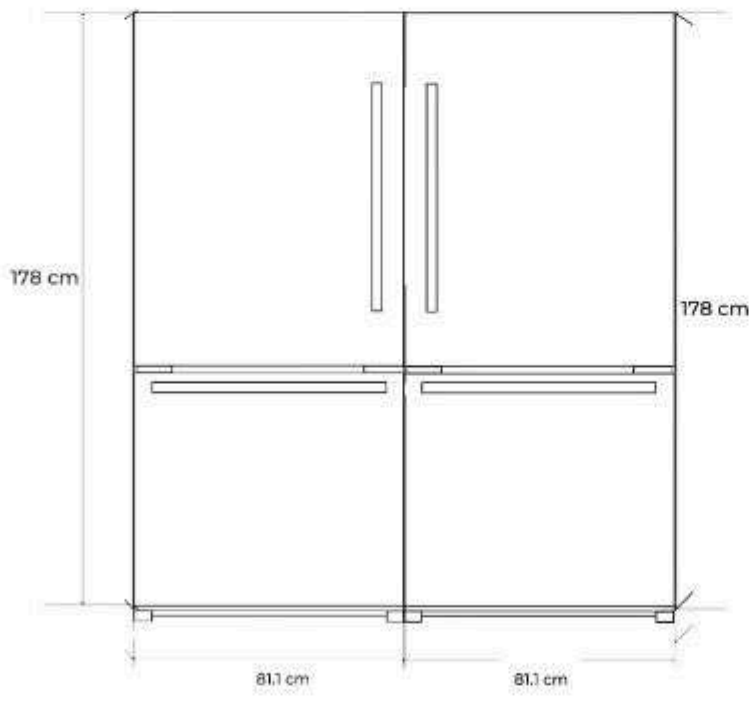


## TWIN

- 36D4PD
- 36D4PIFH

### TWIN 36D4PD | 36D4PIFH

**1 YEAR** warranty **DR**



## POD

## spec.



### More Space

Greater capacity offers more flexibility for storage. With abundant room and optimal air circulation, your food stays fresher for longer.



### Ultra Fast Cooling

Quickly chills your groceries, ensuring icy drinks and fresh food while preserving flavor, texture, and nutrients efficiently.



### Tempered glass shelves

Tempered glass shelves offer high resistance to weight and impact, providing a stable, easy-to-clean, and safe surface to organize your food.



### Easy to clean

Its non-porous surface prevents stains and bacteria, keeping it spotless with just a simple wipe.



### Digital temperature control

Easily adjust the temperature with the intuitive digital panel to ensure optimal conditions for long-lasting food preservation.



### Ice maker

This refrigerator features a powerful ice maker that produces up to 1,800 grams of ice per day.

- Capacity**
- Material**
- Dimensions (W x D x H)**
- Compressor**
- Cooling system**
- Door opening**
- Power**

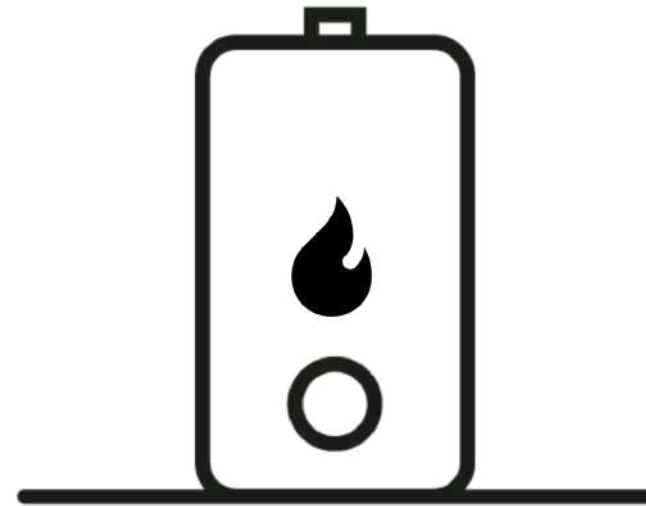
18 P3 | 509L righthand  
 18 P3 | 509L left  
 Stainless steel  
 81x 75.9 x 178 righthand  
 81x 75.9 x 178 left  
 Inverter  
 Ultra fast Cooling  
 Grab handle  
 115V – 60 Hz

### PODs

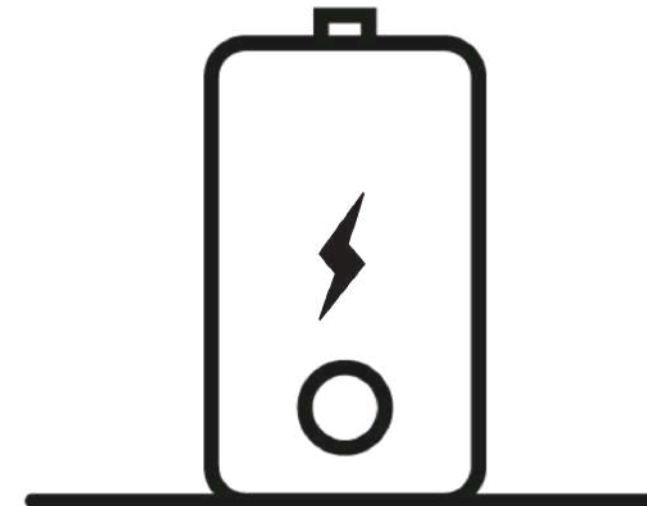
- Energy-saving and low-noise operation.
- Digital temperature control.

\*\*\*Some images are for illustrative purposes only.

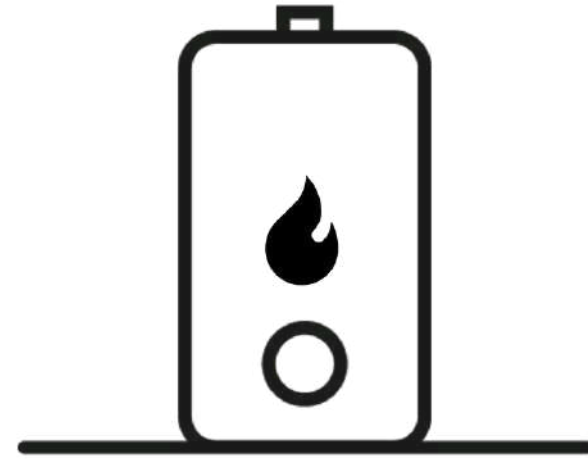
# WATER HEATERS



**GAS**



**ELECTRIC**

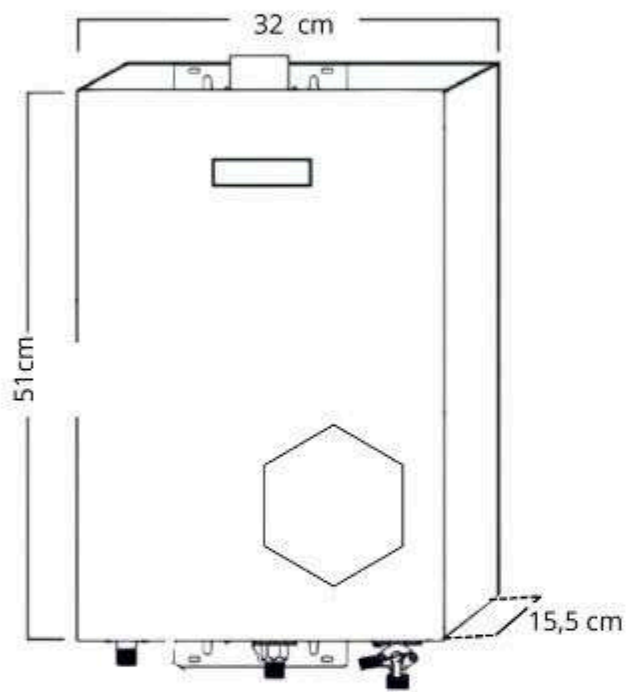


## GAS

- CLT10L BLACK
- CLT13L BLACK
- CLT17L BLACK
- CLT21L BLACK
- CLT13L
- CLT17L
- CLT21L

### CLT10L BLACK

**2 YEARS** warranty **DR**



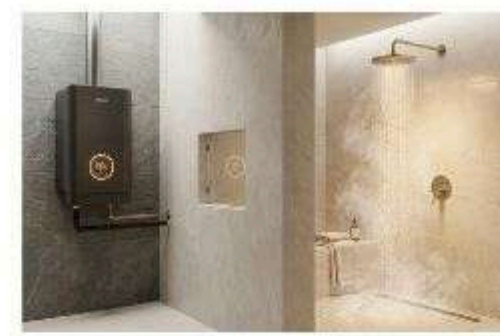
CLT10L 51 cm x 32 cm x 15.5 cm



- Includes**
- Basic installation kit, which may contain:
  - Water inlet and outlet connectors
  - Flame sensor
  - Cooling fan

## POD

## spec.



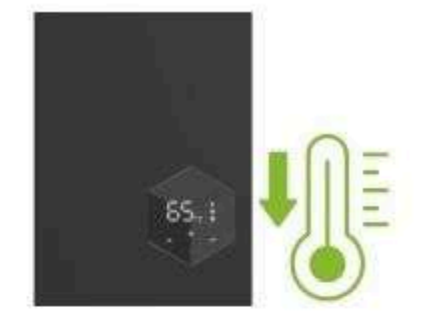
### Hot water in seconds

The instant heating system eliminates the need for preheating, delivering hot water immediately when activated.



### Adjustable water flow

Allows you to regulate water volume according to your needs, balancing flow and temperature with ease.



### Eco mode

Activates a preset temperature of 40°C with a single touch, offering more practical use and improved gas efficiency.



### LED display

Activates a preset temperature of 40°C with a single touch, offering more practical use and improved gas efficiency.



### Flame failure protection

Safety system that detects flame failure and automatically cuts off the gas supply to protect you and your home.



### Self-diagnostic protection system

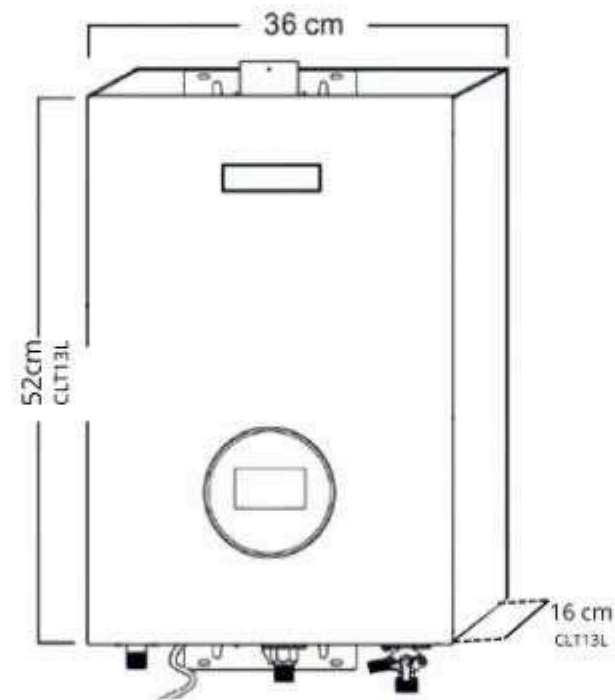
Self-diagnostic protection Monitors the unit's operation and displays error codes for safer and more controlled performance.

	CLT10L BLACK
<b>Model</b>	CLT10L BLACK
<b>Dimensions (cm)</b> (W x D x H)	51 x 32 x 15.5
<b>Color</b>	Black
<b>Type</b>	Gas
<b>Water capacity</b>	10 L/min
<b>Water flow rate</b>	0.015 – 0.8 MPa
<b>Temperature range</b>	35°C – 65°C
<b>Thermal efficiency</b>	84%
<b>Control</b>	Touch
<b>Weight</b>	8 kg
<b>Power</b>	20 kw
<b>Voltage</b>	110V / 60Hz
<b>Warranty</b>	5-year fan

\*\*\*Some images are for illustrative purposes only.

### CLT13L BLACK

**2 YEARS**  
warranty



CLT13L 52 cm x 32 cm x 16 cm

#### Includes

- Basic installation kit, which may contain:
- Water inlet and outlet connectors
- Flame sensor
- Cooling fan

## POD



#### Hot water in seconds

The instant heating system eliminates the need for preheating, delivering hot water immediately when activated.



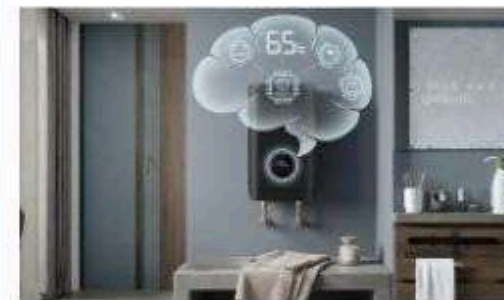
#### Adjustable water Flow

Allows you to regulate water volume according to your needs, balancing flow and temperature with ease.



#### Constant temperature

The thermostatic system automatically adjusts heating to maintain a stable temperature during use.



#### Smart memory function

The heater stores the last settings used, avoiding repeated adjustments and providing greater convenience every time you turn it on.



#### Flame failure protection

Safety system that detects flame failure and automatically cuts off the gas supply to protect you and your home.



#### Self-diagnostic protection system

Monitors the unit's operation and displays error codes for safer and more controlled performance.

## spec.

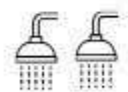
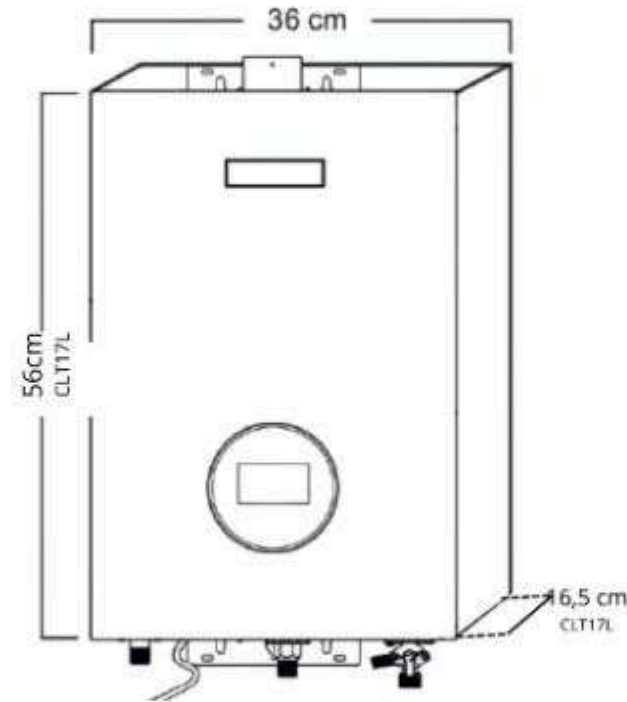
**Model**  
**Color**  
**Type**  
**Water capacity**  
**Water flow rate**  
**Temperature range**  
**Thermal efficiency**  
**Dimensions (cm)**  
(W x D x H)  
**Control**  
**Weight**  
**Power**  
**Voltage**  
**Warranty**

### CLT13L BLACK

Black  
Gas  
13 L/min  
0.015 - 0.8 MPa  
35°C - 65°C  
89%  
52 x 32 x 16  
Touch  
10 kg  
26kw  
110V / 50Hz  
5-year fan

### CLT17L BLACK

**2 YEARS** warranty **DR**



CLT17L 56 cm x 36 cm x 16.5 cm

#### Includes

- Basic installation kit, which may contain:
- Water inlet and outlet connectors
- Flame sensor
- Cooling fan

## POD



#### Hot water in seconds

The instant heating system eliminates the need for preheating, delivering hot water immediately when activated.



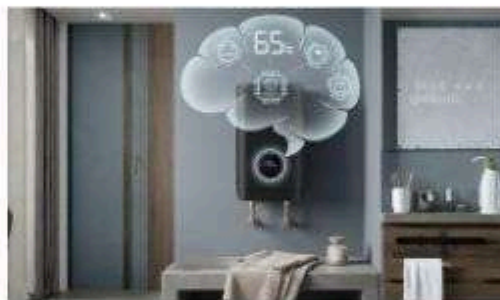
#### Adjustable water Flow

Allows you to regulate water volume according to your needs, balancing flow and temperature with ease.



#### Constant temperature

The thermostatic system automatically adjusts heating to maintain a stable temperature during use.



#### Smart memory function

The heater stores the last settings used, avoiding repeated adjustments and providing greater convenience every time you turn it on.



#### Flame failure protection

Safety system that detects flame failure and automatically cuts off the gas supply to protect you and your home.



#### Self-diagnostic protection system

Monitors the unit's operation and displays error codes for safer and more controlled performance.

## spec.

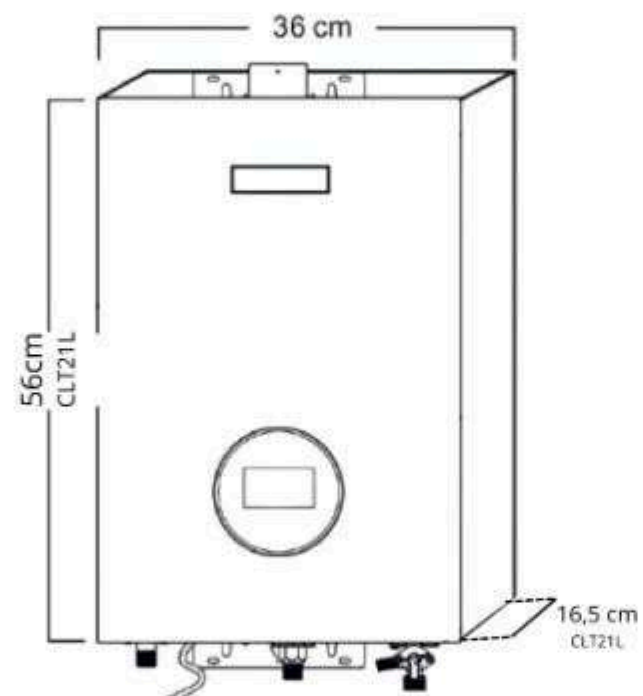
**Model**  
**Color**  
**Type**  
**Water capacity**  
**Water flow rate**  
**Temperature range**  
**Thermal efficiency**  
**Dimensions (cm)**  
(W x D x H)  
**Control**  
**Weight**  
**Power**  
**Voltage**  
**Warranty**

#### CLT17L BLACK

Black  
Gas  
17 L/min  
0.015 – 0.8 MPa  
35°C – 65°C  
89%  
56 x 36 x 16.5  
Touch  
11 kg  
34kw  
110V / 50Hz  
5-year fan

### CLT21L BLACK

**2 YEARS** warranty **DR**



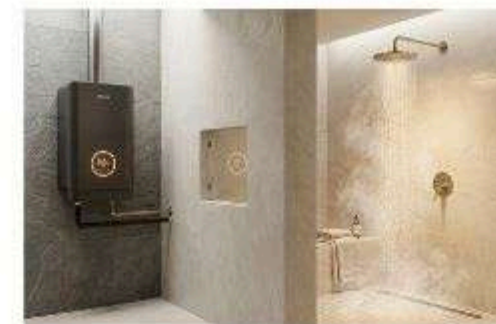
CLT21L

56 cm x 36 cm x 16.5 cm

#### Includes

- Basic installation kit, which may contain:
- Water inlet and outlet connectors
- Flame sensor
- Cooling fan

## POD



#### Hot water in seconds

The instant heating system eliminates the need for preheating, delivering hot water immediately when activated.



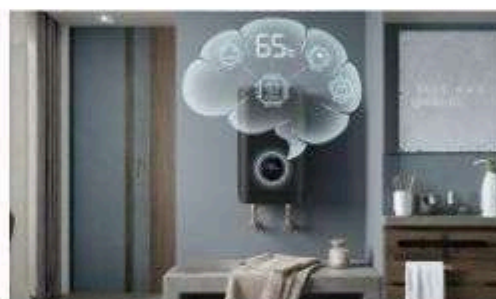
#### Adjustable water Flow

Allows you to regulate water volume according to your needs, balancing flow and temperature with ease.



#### Constant temperature

The thermostatic system automatically adjusts heating to maintain a stable temperature during use.



#### Smart memory function

The heater stores the last settings used, avoiding repeated adjustments and providing greater convenience every time you turn it on.



#### Flame failure protection

Safety system that detects flame failure and automatically cuts off the gas supply to protect you and your home.



#### Self-diagnostic protection system

Monitors the unit's operation and displays error codes for safer and more controlled performance.

## spec.

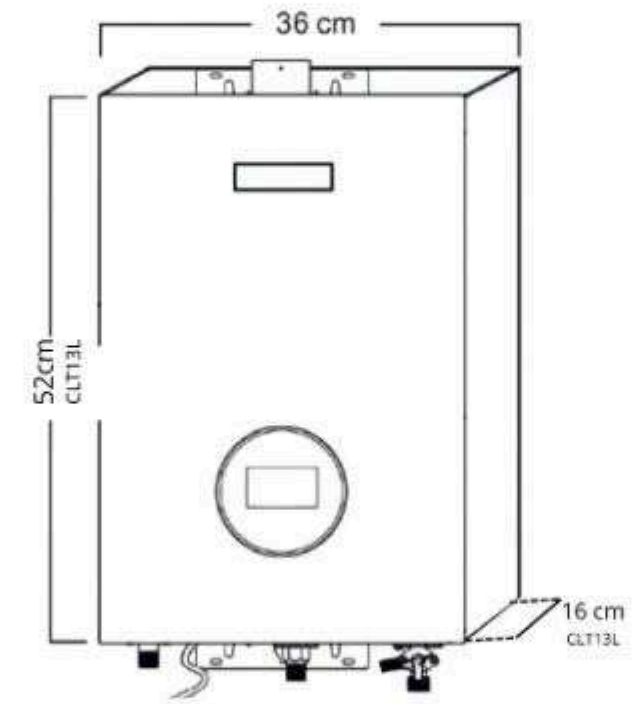
**Model**  
**Color**  
**Type**  
**Water capacity**  
**Water flow rate**  
**Temperature range**  
**Thermal efficiency**  
**Dimensions (cm)**  
 (W x D x H)  
**Control**  
**Weight**  
**Power**  
**Voltage**  
**Warranty**

### CLT21L BLACK

Black  
 Gas  
 21 L/min  
 0.015 - 0.8 MPa  
 35°C - 65°C  
 89%  
 56 x 36 x 16.5  
 Touch  
 14kg  
 42kw  
 110V / 50Hz  
 5-year fan

**CLT13L**

**2 YEARS** warranty **DR**



- Includes**
- Basic installation kit, which may contain:
  - Water inlet and outlet connectors
  - Flame sensor
  - Cooling fan

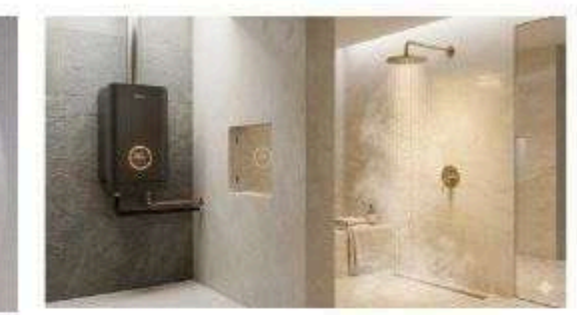
**POD**



**Touch temperature control: LED display**  
Easily view and adjust the temperature through a modern, intuitive, and elegant LED touch screen.



**Adjustable water flow**  
Control the volume of hot water available, giving you flexibility for different uses—from a single shower to multiple faucets running at the same time.



**Hot water in seconds**  
The instant heating system eliminates the need for preheating or storage, delivering hot water immediately when activated.



**Smart memory function**  
The heater saves the last settings used, avoiding repeated adjustments and providing greater convenience every time you turn it on.



**Flame failure detecto**  
Safety system that detects flame failure and automatically cuts off the gas supply to protect you and your home.



**Smart safety system with self-diagnosis**  
An integrated safety system that protects the unit, extends its lifespan, and ensures reliable performance.

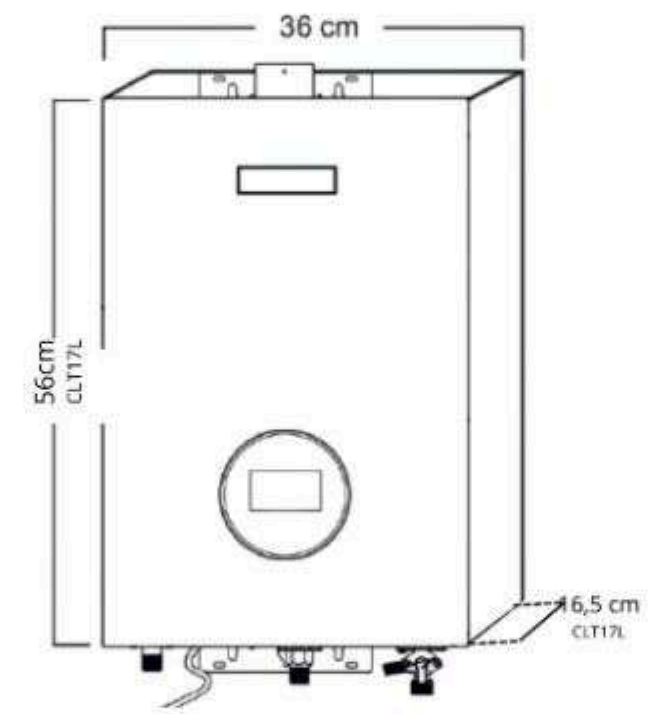
**spec.**

Model	CLT13L
Color	Gray
Type	Gas
Water capacity	13 L/min
Water flow rate	0.015 – 0.8 MPa
Temperature range	35°C – 65°C
Thermal efficiency	89%
Dimensions (cm) (W x D x H)	52 x 32 x 16
Control	Touch
Weight	10 kg
Power	26kw
Voltage	110V / 50Hz
Warranty	5-year fan

\*\*\*Some images are for illustrative purposes only.

**CLT17L**

**2 YEARS** warranty **DR**



- Includes**
- Basic installation kit, which may contain:
  - Water inlet and outlet connectors
  - Flame sensor
  - Cooling fan

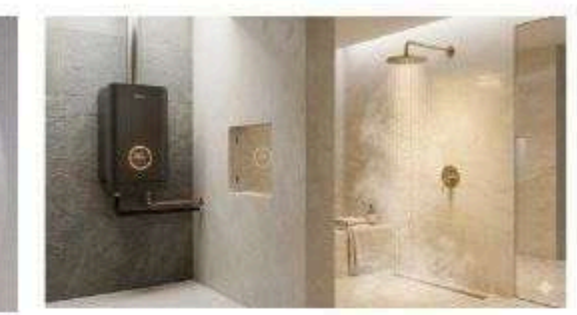
**POD**



**Touch temperature control: LED display**  
Easily view and adjust the temperature through a modern, intuitive, and elegant LED touch screen.



**Adjustable water flow**  
Control the volume of hot water available, giving you flexibility for different uses—from a single shower to multiple faucets running at the same time.



**Hot water in seconds**  
The instant heating system eliminates the need for preheating or storage, delivering hot water immediately when activated.



**Smart memory function**  
The heater saves the last settings used, avoiding repeated adjustments and providing greater convenience every time you turn it on.



**Flame failure detecto**  
Safety system that detects flame failure and automatically cuts off the gas supply to protect you and your home.



**Smart safety system with self-diagnosis**  
An integrated safety system that protects the unit, extends its lifespan, and ensures reliable performance.

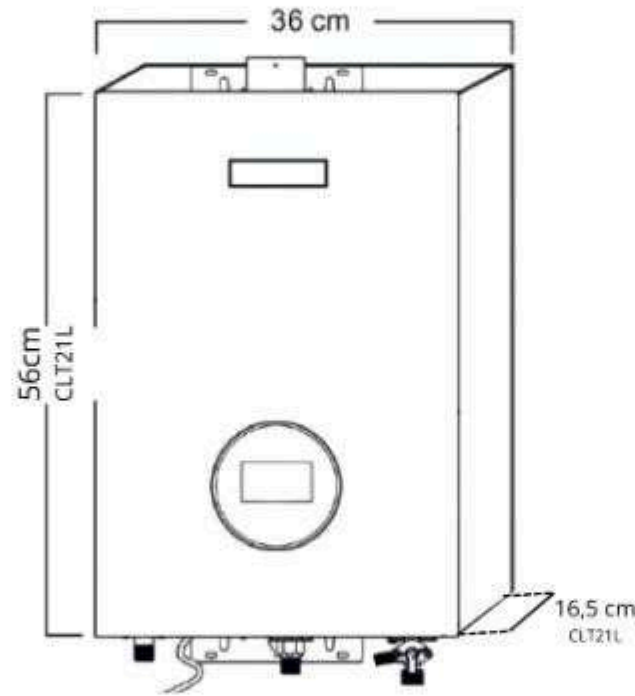
**spec.**

<b>Model</b>	<b>CLT17L</b>
<b>Color</b>	Gray
<b>Type</b>	Gas
<b>Water capacity</b>	17 L/min
<b>Water flow rate</b>	0.015 – 0.8 MPa
<b>Temperature range</b>	35°C – 65°C
<b>Thermal efficiency</b>	89%
<b>Dimensions (cm)</b> (W x D x H)	56 x 36 x 16.5
<b>Control</b>	Touch
<b>Weight</b>	11 kg
<b>Power</b>	34kw
<b>Voltage</b>	110V / 50Hz
<b>Warranty</b>	5-year fan

\*\*\*Some images are for illustrative purposes only.

**CLT21L**

**2 YEARS** warranty **DR**



CLT21L

56 cm × 36 cm × 16.5 cm

### Includes

- Basic installation kit, which may contain:
- Water inlet and outlet connectors
- Flame sensor
- Cooling fan

**POD**



### Touch temperature control: LED display

Easily view and adjust the temperature through a modern, intuitive, and elegant LED touch screen.



### Adjustable water flow

Control the volume of hot water available, giving you flexibility for different uses—from a single shower to multiple faucets running at the same time.



### Hot water in seconds

The instant heating system eliminates the need for preheating or storage, delivering hot water immediately when activated.



### Smart memory function

The heater saves the last settings used, avoiding repeated adjustments and providing greater convenience every time you turn it on.



### Flame failure detecto

Safety system that detects flame failure and automatically cuts off the gas supply to protect you and your home.



### Smart safety system with self-diagnosis

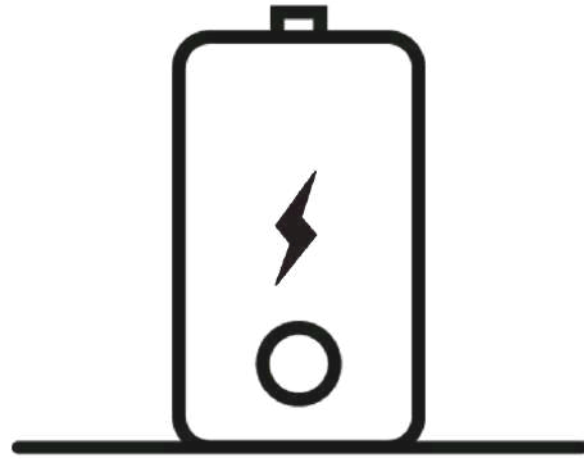
An integrated safety system that protects the unit, extends its lifespan, and ensures reliable performance.

**spec.**

**Model**  
**Color**  
**Type**  
**Water capacity**  
**Water flow rate**  
**Temperature range**  
**Thermal efficiency**  
**Dimensions (cm)**  
 (W x D x H)  
**Control**  
**Weight**  
**Power**  
**Voltage**  
**Warranty**

### CLT21L

Gray  
 Gas  
 21 L/min  
 0.015 – 0.8 MPa  
 35°C – 65°C  
 89%  
 56 × 36 × 16.5  
 Touch  
 14kg  
 42kw  
 110V / 50Hz  
 5-year fan

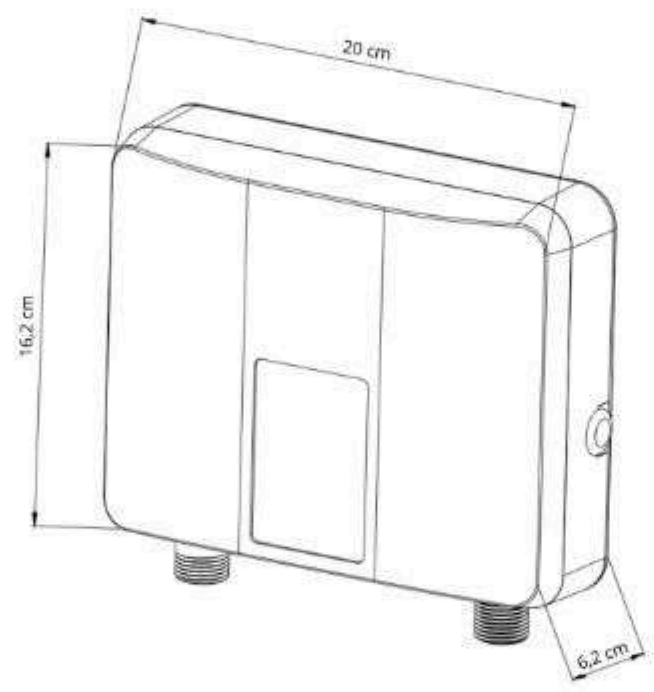


## ELECTRIC

- CLTE6KW
- CLTE7KW
- CLTE9KW
- CLT14KW

### CLTE6KW

**2 YEARS** warranty **DR**



CLTE6KW 20.0 cm x 16.2 cm x 6.2 cm

Certification **CB CE**

- Includes**
- Waterproof Rating: IPX4 – Splash-resistant design.
  - Flow Sensor – Automatically detects water flow to efficiently activate the heating system.
  - Includes connection cable (80 cm).

## POD

## spec.



**Inverter technology, efficient power**

Automatically adjusts power based on water flow, optimizing energy consumption and improving overall efficiency.



**Precise and stable temperature**

Allows degree-by-degree temperature adjustment for greater control, comfort, and a consistent experience in every use.



**Instant tankless heating**

Tankless system that delivers hot water instantly while optimizing energy use and saving space.



**Aluminum heating element**

Aluminum ensures fast and even heat conduction, delivering immediate heating and improved energy efficiency.



**Space-saving design**

Its compact design allows easy installation in different areas of the home without compromising performance.



**Integrated safety system**

Multiple protections safeguard the unit against overheating, electrical faults, and dry operation.

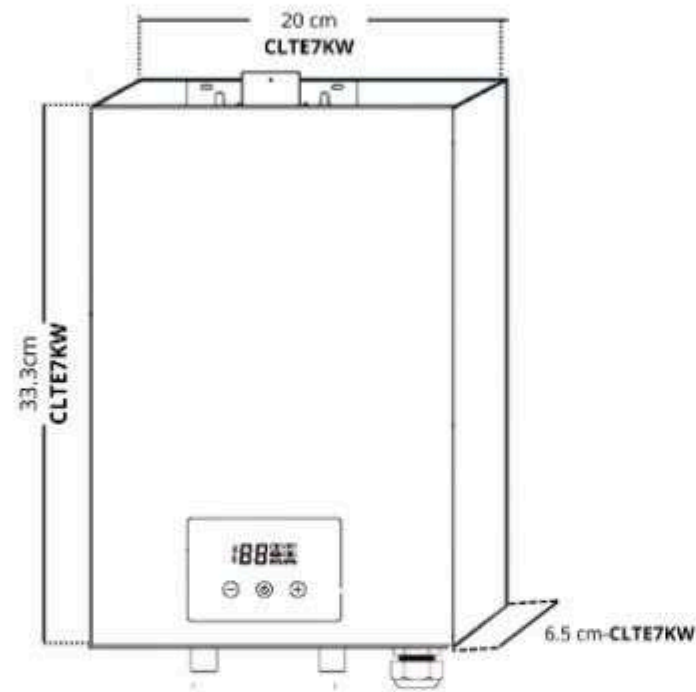
<b>Model</b>	CLTE6KW
<b>Dimensions (cm)</b> (W x D x H)	20.0 x 16.2 x 6.2
<b>Color</b>	Black
<b>Type</b>	Electric
<b>Water capacity</b>	8.5 L/min
<b>Water flow rate</b>	0.09-0.6MPa
<b>Temperature range</b>	30°C – 55°C
<b>Heating element</b>	Aluminum
<b>Control</b>	Touch
<b>Weight</b>	1.5 kg
<b>Power</b>	6kw
<b>Voltage</b>	240V / 60Hz
<b>Warranty</b>	3-year warranty on the heating element

<b>Model</b>	CLTE6KW
<b>Dimensions (cm)</b> (W x D x H)	20.0 x 16.2 x 6.2
<b>Color</b>	Black
<b>Type</b>	Electric
<b>Water capacity</b>	8.5 L/min
<b>Water flow rate</b>	0.09-0.6MPa
<b>Temperature range</b>	30°C – 55°C
<b>Heating element</b>	Aluminum
<b>Control</b>	Touch
<b>Weight</b>	1.5 kg
<b>Power</b>	6kw
<b>Voltage</b>	240V / 60Hz
<b>Warranty</b>	3-year warranty on the heating element

\*\*\*Some images are for illustrative purposes only.

### CLTE7KW

**2 YEARS** warranty **DR**



CLTE7kw

33 cm x 20 cm x 6.5 cm

**Certification**  
**CB CE**

#### Includes

- Waterproof Rating: IPX4 – Splash-resistant design.
- Flow Sensor – Automatically detects water flow to efficiently activate the heating system.
- Includes connection cable (73cm).

## POD

## spec.



#### Inverter technology, efficient power

Automatically adjusts power based on water flow, optimizing energy consumption and improving overall efficiency.



#### Precise and stable temperature

Allows degree-by-degree temperature adjustment for greater control, comfort, and a consistent experience in every use.



#### Instant tankless heating

Tankless system that delivers hot water instantly while optimizing energy use and saving space.



#### Aluminum heating element

Aluminum ensures fast and even heat conduction, delivering immediate heating and improved energy efficiency.



#### Space-saving design

Its compact design allows easy installation in different areas of the home without compromising performance.



#### Integrated safety system

Multiple protections safeguard the unit against overheating, electrical faults, and dry operation.

#### Model

**Dimensions (cm)**  
(W x D x H)

**Color**

**Type**

**Water capacity**

**Water flow rate**

**Temperature range**

**Heating element**

**Control**

**Weight**

**Power**

**Voltage**

**Warranty**

#### CLTE7KW

40 x 27 x 13

Black

Electric

10.5 L/min

0.09-0.6MPa

30°C – 55°C

Aluminum

Touch

2.2 kg

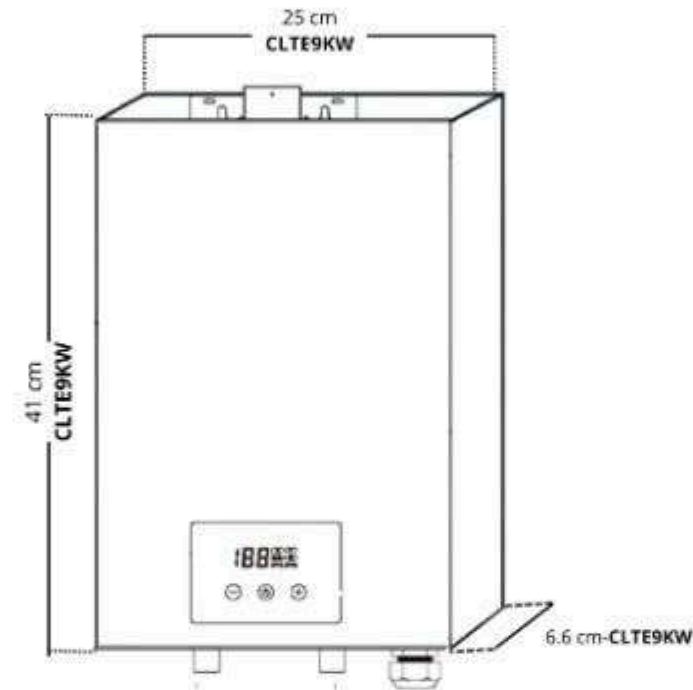
7KW

240V / 60Hz

3-year warranty on the heating element

### CLTE9KW

**2 YEARS** warranty **DR**



CLTE9kw 41cm x 25 cm x 6,6 cm

Certification  
**CB CE ETL**

#### Includes

- Waterproof Rating: IPX4 – Splash-resistant design.
- Flow Sensor – Automatically detects water flow to efficiently activate the heating system.
- Includes connection cable (80cm).

## POD

## spec.



#### Inverter technology, efficient power

Automatically adjusts power based on water flow, optimizing energy consumption and improving overall efficiency.



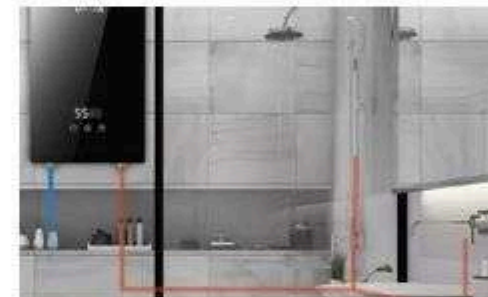
#### Precise and stable temperature

Allows degree-by-degree temperature adjustment for greater control, comfort, and a consistent experience in every use.



#### Instant tankless heating

Tankless system that delivers hot water instantly while optimizing energy use and saving space.



#### Aluminum heating element

Aluminum ensures fast and even heat conduction, delivering immediate heating and improved energy efficiency.



#### Space-saving design

Its compact design allows easy installation in different areas of the home without compromising performance.



#### Integrated safety system

Multiple protections safeguard the unit against overheating, electrical faults, and dry operation.

#### Model

**Dimensions (cm)**  
(W x D x H)

**Color**

**Type**

**Water capacity**

**Water flow rate**

**Temperature range**

**Heating element**

**Control**

**Weight**

**Power**

**Voltage**

**Warranty**

#### CLTE9KW

41 x 25 x 6,6

Black

Electric

13.5 L/min

0.09-0.6MPa

30°C – 55°C

Aluminum

Touch

4.1 kg

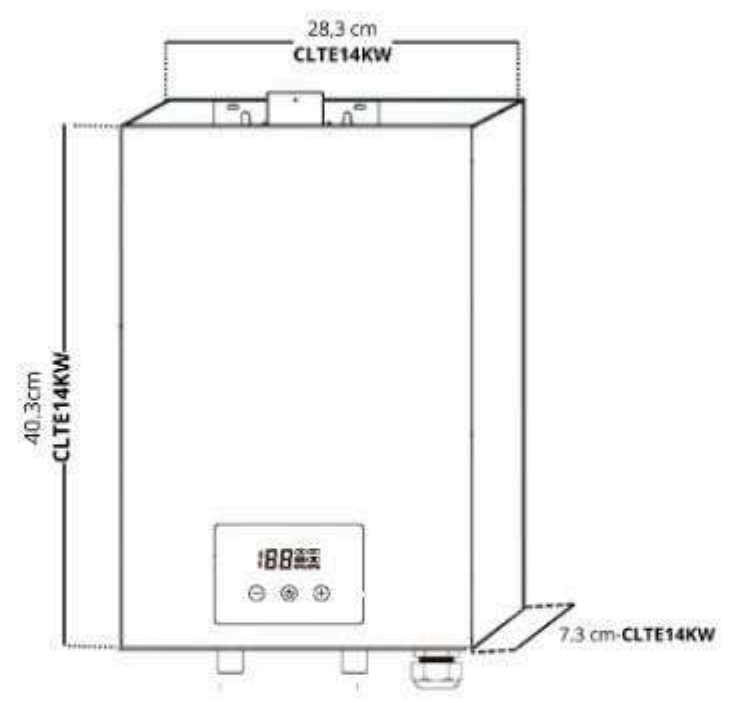
9kw

240V / 60Hz

3-year warranty on the heating element

### CLTE14KW

**2 YEARS** warranty **DR**



CLTE14kw

40,3 cm x 28,3cm x 7,3 cm



#### Includes

- Waterproof Rating: IPX4 – Splash-resistant design.
- Flow Sensor – Automatically detects water flow to efficiently activate the heating system.
- Includes connection cable (90 cm).

## POD

## spec.



#### Inverter technology, efficient power

Automatically adjusts power based on water flow, optimizing energy consumption and improving overall efficiency.



#### Precise and stable temperature

Allows degree-by-degree temperature adjustment for greater control, comfort, and a consistent experience in every use.



#### Instant tankless heating

Tankless system that delivers hot water instantly while optimizing energy use and saving space.



#### Aluminum heating element

Aluminum ensures fast and even heat conduction, delivering immediate heating and improved energy efficiency.



#### Space-saving design

Its compact design allows easy installation in different areas of the home without compromising performance.



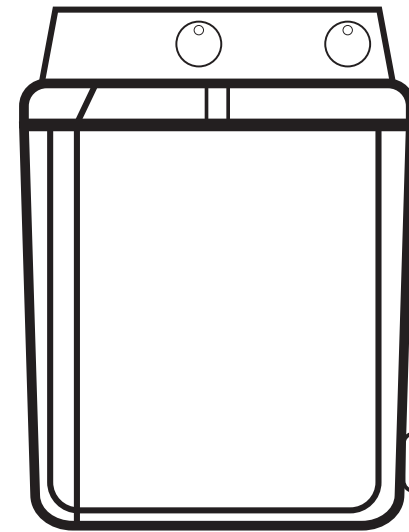
#### Integrated safety system

Multiple protections safeguard the unit against overheating, electrical faults, and dry operation.

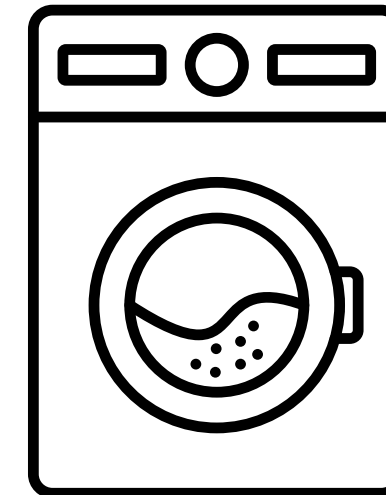
<b>Model</b>	<b>CLTE14KW</b>
<b>Dimensions (cm)</b> <small>(W x D x H)</small>	49.5 x 31.5 x 14.8
<b>Color</b>	Black
<b>Type</b>	Electric
<b>Water capacity</b>	21.5 L/min
<b>Water flow rate</b>	0.09-0.6MPa
<b>Temperature range</b>	30°C – 55°C
<b>Heating element</b>	Aluminum
<b>Control</b>	Touch
<b>Weight</b>	6.5 kg
<b>Power</b>	14kw
<b>Voltage</b>	240V / 60Hz
<b>Warranty</b>	3-year warranty on the heating element

\*\*\*Some images are for illustrative purposes only.

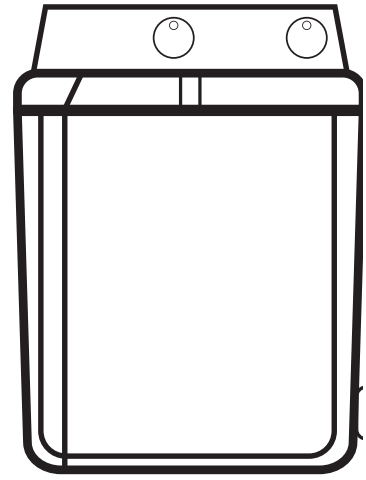
# LAUNDRY



**WASHING  
MACHINE**



**WASHER-DYER  
COMBO**



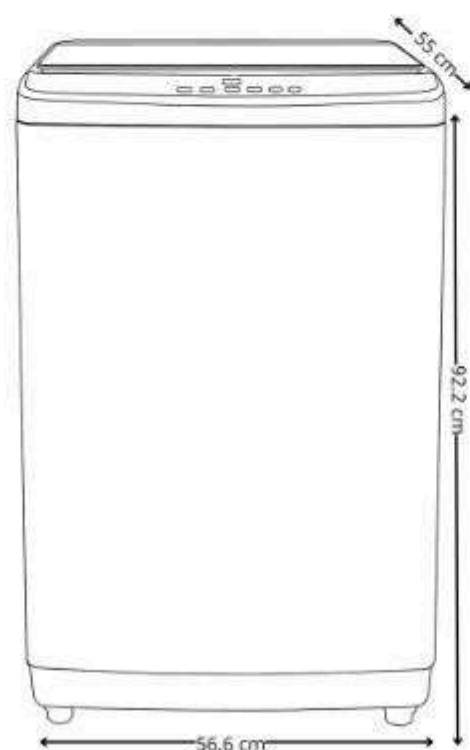
# WASHING MACHINE

- LAVATRICE 1305

### LAVATRICE 1305

**1 YEAR**  
warranty

**DR**



## POD



**Sturdy and elegant design in dark gray with black lid**

Perfect for blending into any modern space.

- 01 Mezclado
- 02 Estándar
- 03 Delicado
- 04 Rápido
- 05 Cortina
- 06 Bebé
- 07 Tambor Limpio
- 08 Secado de Tam

**8 intelligent programs for all types of clothes**

- Mixed (all varieties of fabric)
- Standard (Normal cycle)
- Delicate
- Fast
- Cortina
- Baby
- Sanitize drum
- Drum dryer



**Express Wash**

Achieve thorough cleaning in merely 24 minutes; conserve time while maintaining exceptional results.



**Takes care of your clothes every cycle**

The agitator-free drum is gentler on fabrics and gives you more space for larger loads. It also includes a lint filter to keep your clothes clean and free of fuzz.



**Digital panel with LED display**

Easy-to-use and modern interface with a clear view of the cycle status.



**Child lock and auto shut-off**

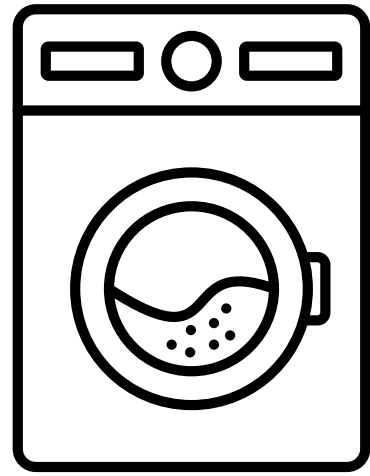
Full protection for your family and better energy efficiency.

## spec.

<b>Type</b>	Top Load
<b>Dimensions (cm)</b> <small>(W x D x H)</small>	92.2 × 55 × 56.6
<b>Capacity</b>	13.50 kg - 69 L
<b>Color</b>	Dark gray with black lid   Inox drum.
<b>Programs or cycles</b>	8
<b>Water connections</b>	2 entries (cold and hot)
<b>Block Child</b>	Yes
<b>Display</b>	Digital touch (LED display)
<b>Weight</b>	35 kg/39 kg
<b>Power</b>	600W (washing and spinning)
<b>Voltage</b>	110- 127V / 60Hz

## PODs

- Clean drum: Maintains the drum's hygiene and prevents unpleasant odors.
- Automatic shut-off: Conserves energy upon cycle completion.
- Anti-explosion cameras: Enhanced safety in Electric applications.
- Fluff trap.
- Extremely silent.
- Adjustable water level.
- Pro Dispenser.
- Soft-close door

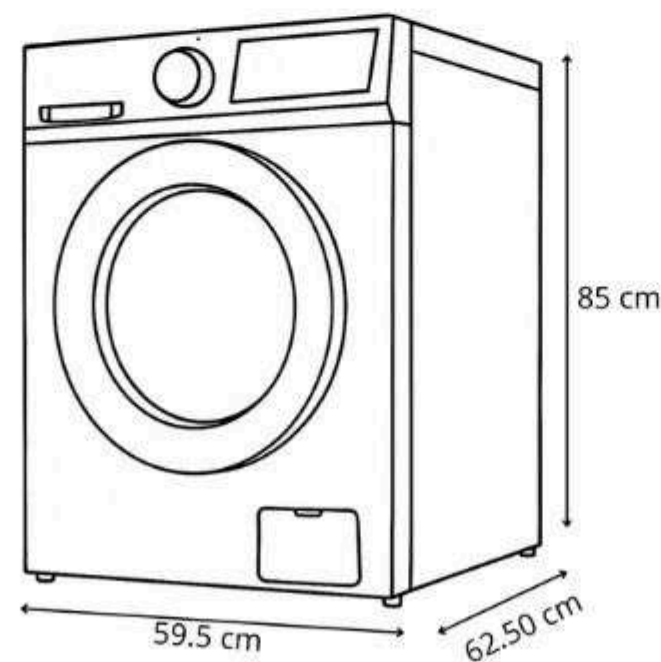


# WASHER-DYER COMBO

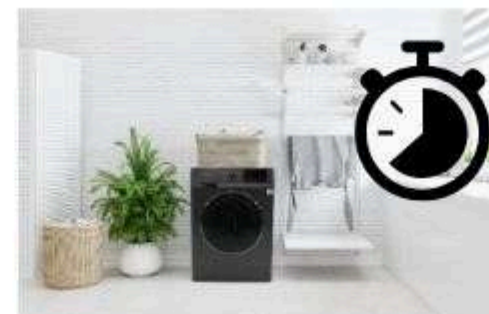
| • LAVASCIUGA

### LAVASCIUGA 1609

**1 YEAR**  
warranty



## POD



**Wash and dry 2-in-1**  
The washer-dryer combo is a practical and efficient appliance that saves time by removing the need to transfer clothes between two separate machines.



**Steam wash for better hygiene and care**  
Steam penetrates deep into the fibers to remove bacteria, allergens, and odors—leaving your clothes cleaner, softer, and wrinkle-free.



- 16 wash programs**
- Cotton
  - Super fast
  - Shirt
  - Sportswear
  - Work
  - Delicate
  - Drum maintenance
  - Centrifuged
  - Rinse + spin
  - Drying
  - Wash and dry
  - Steam wash
  - Mix
  - Intensive
  - Bedding
  - Allergy care



**Full care with smart safety**

- Child lock
- Overheat protection
- Prevents leaks and water overflow
- Auto-balance system.



**Quiet wash**  
Enjoy a quiet wash with an efficient inverter motor that reduces vibrations and noise, reaching just 69 dB for a more peaceful home.



**Intuitive LED display and knob control**  
Check the remaining time and activate functions like "add clothes" or "mute sound" with just a simple turn.

## spec.

<b>Type</b>	Front Load
<b>Dimensions (cm)</b> <small>(W x D x H)</small>	59.5 × 62.50 × 85
<b>Technology</b>	Inverter
<b>Washing capacity</b>	16kg
<b>Drying capacity</b>	9kg
<b>Centrifugal velocity</b>	1400 rpm
<b>Color</b>	Dark gray with black lid   inox drum.
<b>Programs or cycles</b>	16
<b>Water connections</b>	1 entry (hot and cold)
<b>Display</b>	Digital touch (LED display)
<b>Weight</b>	66 kg / 69 kg
<b>Power</b>	900W (washing and spinning)
<b>Voltage</b>	110- 127V / 60Hz

- PODs**
- Delay start: Set the wash cycle to begin in 3 to 24 hours.
  - Steam wash
  - Express clean & dry (1 hr)
  - Auto balance: Reduces vibration and keeps the machine stable during spin cycles.
  - Add clothes: Pauses the cycle so you can add forgotten items.
  - Anti-overflow system: Prevents leaks and accidents caused by excess water.
  - Anti-foam control
  - Heating element drying

\*\*\*Some images are for illustrative purposes only.

Category	Product	Warranty Period	
		Labor	Parts
Range Hoods	Compact Range Hood  Wall Mounted Range Hood  Island	1 Year	1 Year
Cooktops	Built-in	1 Year	10-year warranty on DRIJA / SABAF burners
	Built-in Gas   Stainless Steel  Tempered Glass	1 Year	10-year warranty on DEFENDI burners
	Built-in Electric Induction	1 Year	10 years SCHOTT CERAN  10 years Vitroceramic
	Built-in Dual cooktop	1 Year	10-year warranty on DRIJA burners
Microwave	Built-in microwaves   Over the range microwave	1 Year	1 Year
Ovens	Built-in Electric	2 years	2 years
	Built in Gas  Gas Grill	1 Year	1 Year
wine Cooler	Thermoelectric	1 Year	1 Year
	Built-in  Not Built-In	1 Year	10-year compressor warranty
Beverage Center	Built-in  Not Built-In	1 Year	10-year compressor warranty
Water dispenser	Compresor	1 Year	1 Year
Ice Makers	Built-in  Not Built-In	1 Year	10-year compressor warranty
Refrigerators	Side-by-Side   French Door  Mini fridge	1 Year	10-year compressor warranty
Sinks	Sinks  Garbage disposers  Faucets	1 Year	1 Year
Water heater	Gas	2 years	5-year warranty on cooling fan
	Electric		3-year warranty on the heating element
Small appliances	Portable Cooker  Blender  Electric oven (Bruschetta)  Air fryer  Coffee Machine	1 Year	1 Year
Laundry	Washing machine  Washer-dryer combo	1 Year	1 Year

**Warranty certificates for each product category.**



**DRIJA**

[WWW.DRIJAINTERNATIONAL.COM](http://WWW.DRIJAINTERNATIONAL.COM)